

INSTALLATION MANUAL

A COPY OF THIS MANUAL MUST REMAIN WITH
THE HOME FOR REFERENCE BY OCCUPANT

Using the Manual

This manual is organized into a series of steps that will take you through the entire installation process using only those pages required for the specific home being installed. First, review the entire manual, including the Introduction chapter. As you read it, identify sections of the manual that you will need; identify other documents or information you will need; construct lists of tools and materials required for your particular installation; and make sure you have everything you need before starting work.

After reviewing the entire manual, refer to the sequence of installation steps in the table below. Identify the pathway for your installation and follow the arrows downward. Select either **Single Section Home** or a **Multi-Section Home** and choose the column corresponding to the home's foundation type, either **Pier and Ground Anchor** or **Load-Bearing Perimeter Wall** (see **Definitions**, p. 4). Then complete the work in each of the sections starting with **Getting Started**.

If using an alternative (proprietary) foundation system, the installation process will change from that described in this manual. Consult the system manufacturer directions for instructions. See page 6 for alternative foundation system criteria.

SINGLE SECTION HOME		MULTI-SECTION HOME	
Pier and Ground Anchor	Load-Bearing Perimeter Wall	Pier and Ground Anchor	Load-Bearing Perimeter Wall
Getting Started (p. 8) ▼	Getting Started (p. 8) ▼	Getting Started (p. 8) ▼	Getting Started (p. 8) ▼
Prepare the Site (p. 13) ▼	Prepare the Site (p. 13) ▼	Prepare the Site (p. 13) ▼	Prepare the Site (p. 13) ▼
Install Footings (p. 18) ▼	Construct Foundation (p. 33) ▼	Install Footings (p. 18) ▼	Construct Foundation (p. 33) ▼
Set the Home (p. 35) ▼	Connect Utilities (p. 84) ▼	Set the Home (p. 35) ▼	Complete Roof and Exterior Walls (p. 52) ▼
Install Stabilizing System (p. 69) ▼	Prepare Appliances and Equipment (p. 93) ▼	Complete Multi-Section Set (p. 41) ▼	Connect Crossovers (p. 57) ▼
Connect Utilities (p. 84) ▼	Complete Under the Home and Site Built Structures (p. 103) ▼	Complete Roof and Exterior Walls (p. 52) ▼	Complete Interior (p. 67) ▼
Prepare Appliances and Equipment (p. 93) ▼	Prepare Home for Occupancy (p. 106) ▼	Connect Crossovers (p. 57) ▼	Connect Utilities (p. 84) ▼
Complete Under the Home and Site Built Structures (p. 103) ▼	Complete Installation Checklist (p. 107)	Complete Interior (p. 67) ▼	Prepare Appliances and Equipment (p. 93) ▼
Prepare Home for Occupancy (p. 106) ▼		Install Stabilizing System (p. 69) ▼	Complete Under the Home and Site Built Structures (p. 103) ▼
Complete Installation Checklist (p. 107)		Connect Utilities (p. 84) ▼	Prepare Home for Occupancy (p. 106) ▼
		Prepare Appliances and Equipment (p. 93) ▼	Complete Installation Checklist (p. 107)
		Complete Under the Home and Site Built Structures (p. 103) ▼	
		Prepare Home for Occupancy (p. 106) ▼	
		Complete Installation Checklist (p. 107)	

Disclaimer

The Manufactured Housing Research Alliance, its members, consultants, contractors and representatives make no representations, warranty or guarantee, express or implied, as to the accuracy or appropriateness of any materials or information in this manual for use in a specific home, nor assume any liability for the use of the information, methods, or materials contained herein, or for damages arising from any such use.

Copyright © 2008 Manufactured Housing Research Alliance

ISSN 1529-3424

APPROVED BY



Cavco Industries Inc

Introduction

This installation manual contains instructions that must be followed for the proper installation of the home. It complies with the HUD Model Manufactured Home Installation Standards. Please read all instructions and any other documents (including addendum pages and supplements) that may apply to the specific home prior to commencing site work or installation.

This installation manual covers permits and site work through final inspection of the installation. It covers both single and multi-section homes installed over pier and anchor and load bearing crawl space walls. It contains instructions, including specifications and procedures, for the set and hookup of manufactured homes to be used as single-family dwellings.

The importance of correct installation cannot be over-emphasized. Correct installation is absolutely essential to homeowner satisfaction and the structural integrity of the home. All instructions must be followed to provide the customer with a safe, quality home.

No manual can cover all circumstances that may exist for certain home designs or building sites. For questions, further clarification, or if you encounter conditions at the site or in the design of the home or its foundation not covered by this manual, please contact the manufacturer (see **Resources**, p. 3), a registered engineer, or registered architect.

Supplemental addendum pages may be included with this manual. Supplements include requirements not covered in this manual or that supercede the manual instructions.

Once the home installation is complete, leave this manual with the home.

IMPORTANT NOTICES

- The home manufacturer is not responsible for installation or for the materials supplied by the set-up crew at the time of installation. The installer may be responsible for any deviations from the installation instructions of this manual.
- To keep the home in compliance with its warranty, the home installation must follow the procedures described in this manual or other procedures approved by the manufacturer. Deviation from the instructions in this manual may void the home's warranty. Any alterations or changes to the home shall be approved by a registered engineer or registered architect and may still be subject to warranty violations.
- When an installer does not provide support and anchorage in accordance with the approved manufacturer's installation instructions, or encounters site conditions (such as areas that are subject to flood damage or high seismic risk) or other conditions that prevent the use of the instructions provided in this manual, the installer must obtain special site-specific instructions from the manufacturer or use a design approved by a registered engineer or registered architect.
- The installer must possess a valid installation license as a manufactured home installer.
- If the installer identifies failures of the home to comply with the Federal Manufactured Home Construction and Safety Standards (the HUD Code), the installer must notify the manufacturer and retailer.

SAFETY

There are potential hazards associated with the installation of a manufactured home. Home installers are licensed, and as experienced professionals, should recognize these hazards, be qualified to work with them, and be capable of providing safe work practices and equipment that minimize the risks of injury.

Only qualified persons should install a manufactured home. As qualified professionals in the field of manufactured home installation, installers are the experts and must be aware of the hazards and conditions faced. Warnings are published throughout this manual as reminders. These reminders may not cover all hazards, all potential hazards, or all possible consequences of improper or unsafe installation practices.

Construction crews should be trained in the skills required and be supervised by experienced personnel. Installers should regularly inspect work performed by crews and subcontractors.

Obey OSHA regulations, particularly those related to home construction, such as Title 29 Code of Regulations Part 1926. For copies of OSHA regulations, call (202) 512-1800 or visit www.osha.gov on the web.

RESOURCES

Manufacturer contact information:

See contact information on front cover.



Office of Regulatory Affairs and Manufactured Housing

US Department of Housing and Urban Development
 451 Seventh Street, SW, Room 9164
 Washington, DC 20410-8000
 Telephone: (202) 708-6423 or (800) 927-2891
 FAX: (202) 708-4213

APPROVED BY

**State Administrative Agencies**

A list of SAAs may be found on the web at www.hud.gov or by contacting the Office of Regulatory Affairs and Manufactured Housing.

FEDERAL PREEMPTION

This home was engineered, constructed, and inspected in conformance with the Federal Manufactured Home Construction and Safety Standards of the US Department of Housing and Urban Development (24 CFR Part 3280, commonly referred to as the "HUD Code") in effect on the date of manufacture. These Standards set forth minimum requirements for the design and construction of manufactured homes designed to be used as dwellings.

Individual states, counties and cities shall have no authority to establish standards regarding the construction or safety of a manufactured home. A metal certification label is affixed to each section of the home to certify that it has been constructed and inspected to comply with these Standards. The design plans and in-plant construction of all homes are inspected by independent third party agencies to assure compliance with the Standards.

The installation of the home and any alterations made to the home shall conform to the requirements of the Federal Manufactured Home Construction and Safety Standards and the HUD Model Manufactured Home Installation Standards. These installation instructions are minimum requirements. Applicable local or state laws may have more stringent installation requirements than outlined in this manual and must be followed. Consult with the local authority having jurisdiction (LAHJ) for regulations that may require licenses and/or permits or which may affect procedures described in this manual.

DEFINITIONS

ANCHOR ASSEMBLY. Any device or other means designed to transfer loads to the ground.

ANCHORING EQUIPMENT. Ties, straps, cables, turnbuckles, chains, and other approved components, including tensioning devices that are used to secure a manufactured home to anchor assemblies.

ANCHORING SYSTEM. A combination of anchoring equipment and anchor assemblies that will, when properly designed and installed, resist the uplift, overturning, and lateral forces on the manufactured home.

BASEMENT. A load-bearing perimeter wall foundation that includes habitable space (finished or unfinished, heated or unheated) partly or completely below grade.

CRAWLSPACE. The space underneath the home's floor system, enclosed with either load- or non-load bearing perimeter walls. The ground may be covered with a concrete slab or by a plastic ground cover. Crawlspace walls must be vented.

CROSSOVERS. Utility interconnections between sections of multi-section homes, including heating and cooling ducts, electrical circuits, and water pipes, drain plumbing, and gas lines.

DATA PLATE. An information sheet located at the main electrical panel, in the utility room, in a bedroom closet, or in a cabinet in the kitchen. It contains a unique identification number and identifies the wind zone, roof load zone, and climatic zone for which the home was constructed.

DIAGONAL TIE. A tie intended to resist horizontal or shear forces, but which may resist vertical, uplift, and overturning forces.

FOOTING. That portion of the support system that transmits loads directly to the soil.

GROUND ANCHOR. A specific anchoring assembly device designed to transfer home loads to the ground.

H-BEAM. Steel H-beams are often used to support a home over a basement or crawlspace. They span across the foundation from sidewall to sidewall, typically with an intermediate support pier and footing (typically in the center point resulting in a line of piers under the centerline of a double section home).

INFORMATION PACKET. A set of important documents provided with the home including warranties, information on high wind coverage, and other features of the specific home.

INSTALLATION LICENSE. The proof that an installer meets the requirements for installing manufactured homes under the HUD-administered installation program.

LABELED. Equipment or materials to which has been attached a label, symbol, or other identifying mark of a certified testing laboratory, inspection agency, or other an organization concerned with product evaluation. The label indicates compliance with nationally recognized standards or tests to determine suitable usage in a specified manner.

LISTED OR CERTIFIED. Included in a list published by a nationally recognized testing laboratory, inspection agency, or other organization concerned with product evaluation that maintains periodic inspection of production of listed equipment or materials, and whose listing states either that the equipment or material meets nationally recognized standards or has been tested and found suitable for use in a specified manner.

LOAD-BEARING PERIMETER WALL FOUNDATION. A support system for the home whereby the home is mechanically fastened to a structural wall(s) that transfers gravity, lateral, and uplift loads to the ground.

LOCAL AUTHORITY HAVING JURISDICTION (LAHJ). The state, city, county, municipality, utility, or organization that has local responsibilities that must be complied with during the installation of a manufactured home.

MUST. Indicates a mandatory requirement.

N/A. Indicates not applicable.

PIER. That portion of the support system between the footing and the manufactured home, exclusive of shims. Types of piers include, but are not limited to: (1) manufactured steel stands; (2) pressure-treated wood; (3) manufactured concrete stands; (4) concrete blocks; and (5) portions of foundation walls.

PIER AND GROUND ANCHOR FOUNDATION. A support system for the home that employs piers under the chassis and other locations to support gravity loads and employs ground anchors and tie downs (the stabilizing system) to resist lateral and uplift loads.

PERIMETER BLOCKING. Regularly spaced piers supporting the sidewalls and marriage line of the home. Some homes require perimeter blocking in addition to supports under the home's frame.

QUALIFIED. Has the necessary knowledge and skills gained from experience and training that will allow performance of the job safely, competently, and in accordance with all applicable codes, standards, rules, and regulations. Meets all necessary qualification tests including any license and certification requirements that may be in effect in the area where the home will be installed.

RAMADA. Any freestanding roof or shade structure, installed or erected over a manufactured home or any portion thereof.

SHOULD. Indicates a recommendation that is strongly advised but not mandatory.

SHALL. Indicates a mandatory requirement.

SITE FOR A MANUFACTURED HOME. A designated parcel of land designed for the accommodation of one manufactured home, its accessory buildings or structures, and accessory equipment, for the exclusive use of the occupants of the home.

SKIRTING. A weather-resistant material used to enclose the perimeter, under the living area of the home, from the bottom of the manufactured home to grade.

STABILIZING SYSTEM. All components of the anchoring and support systems, such as piers, footings, ties, anchoring equipment, anchoring assemblies, or any other equipment, materials and methods of construction, that support and secure the manufactured home to the ground.

SUPPORT SYSTEM. Pilings, columns, a combination of footings, piers, foundation walls, caps, and shims and any combination thereof that will, when properly installed, support and secure the manufactured home to the ground.

TIE. Straps, cable, or securing devices used to connect the manufactured home to anchoring assemblies.

UTILITY CONNECTION. The connection of the manufactured home to utilities that include, but are not limited to, electricity, water, sewer, gas, or fuel oil.

VERTICAL TIE. A tie intended to resist uplifting and overturning forces.

WIND ZONE. The areas designated on the Basic Wind Zone Map, as further defined by the Manufactured Home Construction and Safety Standards.

ENGINEER'S STAMP

Certain pages of this manual display the seal of a registered engineer. Federal guidelines only require the seal from one state to be displayed, but the details herein apply to all states.

APPROVED BY



Cavco Industries Inc

SU-5

SYMBOLS USED IN THE MANUAL



This icon indicates an important warning. It is critical to heed these warnings.



This icon indicates a recommended best practice. While not required, following these practices will result in a superior installation, reducing the chance that cosmetic or durability related complaints might arise.

ABBREVIATIONS

ABS	Acrylonitrile Butadiene Styrene	max.	Maximum
ANSI	American National Standards Institute	MHCSS	Manufactured Home Construction and Safety Standards
APA	American Plywood Association	min.	Minimum
ASTM	American Society for Testing and Materials	mph	Mile(s) per hour
AWPA	American Wood Preservers Association	NEC	National Electric Code
CFM	Cubic feet per minute	NFIP	National Flood Insurance Program
CFR	Code of Federal Regulations	NFPA	National Fire Protection Association
DWV	Drain, Waste, Vent	o.c.	On center
EMT	Electrical metallic tubing	OSHA	Occupational Safety and Health Administration
FEMA	Federal Emergency Management Agency	oz	Ounce(s)
ft	Foot/feet	p.	Page
ga	Gauge	psf	Pounds per square foot
HUD	US Department of Housing and Urban Development	psi	Pounds per square inch
in	Inch(es)	SAA	State Administrative Agency
LAHJ	Local Authority Having Jurisdiction	sq ft	Square foot/feet
lb(s)	Pound(s)		

ALTERNATIVE FOUNDATION SYSTEMS

Alternative foundation systems or designs are permitted if they are approved by the home manufacturer and the manufacturer's DAPIA, and are in accordance with either of the following:

- Systems or designs are manufactured and installed in accordance with their listings by a nationally recognized testing agency based on a nationally recognized testing protocol; or
- System designs are prepared by a registered engineer or a registered architect or tested and certified by a registered engineer or registered architect in accordance with acceptable engineering practice and are manufactured and installed so as not to take the home out of compliance with the Manufactured Home Construction and Safety Standards.

DISPLAY AND STORAGE OF THE HOME

WEATHER PROTECTION

If the installation is not started immediately upon delivery of the home, the retailer and/or installer has the responsibility to ensure the exterior weather protection covering of marriage walls and the roof of homes with hinged roofs has not been damaged during shipment. Inspect the home immediately upon the delivery and frequently during storage. Promptly repair tears in the home closure materials to prevent damage from the elements. Inspect and repair roof shingles and siding as needed.

APPROVED BY



Cavco Industries Inc

SU-6

SUPPORTING A HOME FOR DISPLAY

When a new manufactured home is to be displayed at a retail location and it is not intended to serve for human habitation or as an office, it may be set per the details on this page.

- Temporarily block and support the home.
- 10 – 14 wides: perimeter piers are not required. Place frame piers and pads at 10 ft o.c. Minimum capacity of each pier/pad = 2150 lbs. Bearing mate walls for multi-wides do not require piers.
- 16 – 18 wides: frame and perimeter piers are required. Place frame piers and pads at 12 ft o.c. Minimum capacity of each pier/pad = 1200 lbs. Place perimeter piers at 10' o.c. Minimum capacity = 1450 lbs. Bearing mate walls over 48" long for multi-wides require piers, placement and capacity should match the perimeter pier requirements.
- For multi-wides, place additional piers along marriage line support columns. These locations are marked by the manufacturer or are shown on a foundation plan shipped with the unit.
- For all homes, place footings below each pier. Footings may be placed directly on the surface grade without excavation and may be ABS pads, pressure treated lumber, 4 inch thick concrete pads or equivalent.
- The tire and axle system may be used as one of these required supports, and the hitch jack may be used as another.
- Locate the first pier no further than two feet from the rear end of the home (Figure 1). Place additional piers along the perimeter on either side of openings greater than four feet (i.e. sliding glass doors, bay windows, etc.).
- Homes that are designed as foundation ready must have the front endwall supported with piers
- Multiwide home ridgebeams must be properly secured at the roof, if the shipping walls are removed, to ensure adequate load transfer and prevent damage. If the shipping walls are removed, fasten the ridge with 3/8" x 4-1/2" lags at 4 feet staggered and 8 feet staggered at the floor. Care should be taken to ensure that the beam is not pulled away from the trusses.

These set up instructions are for display units only and are not adequate to resist external loads caused by snow or wind events. Homes that have any possibility of experiencing live loads or wind loads should be set per the standard installation requirements of the manual. Cavco Industries will not assume responsibility for damage to a home that is set per the requirements of this page.

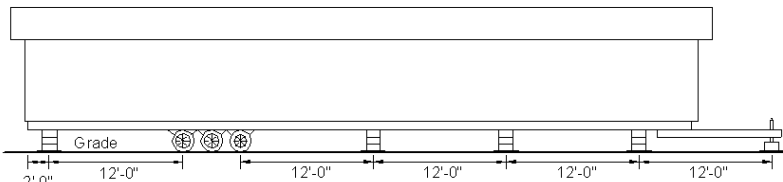


Figure 1. Supporting a home for display. Pier spacing is given as an example

SUPPORTING A HOME FOR STORAGE

To prevent damage to homes being stored but not on display (i.e. people shall not be permitted inside the home) for a period exceeding 30 days, locate piers below each I-beam no further than two feet from each end of the home, at the approximate center of the home length, and as needed to prevent damage to the structure of the home.

CUSTOMIZATION OF THE MODEL MANUAL

This manual is based on a model manufacturer’s installation manual used by many different companies. It may have been customized from the model by the manufacturer. Pay special attention to references to the Cavco Addendum that came with this manual, it addresses installation requirements specific to Cavco homes. Where a conflict exists, the Cavco Addendum governs and should be followed.



APPROVED BY



Cavco Industries Inc

SU-7

Cavco Installation Manual

Getting Started

Getting Started

This chapter covers a few steps that, taken now, will avoid problems later in the installation process.

Follow the Steps below:

- ▼ **STEP 1. LOCATE THE DATA PLATE** (p. 8)
- ▼ **STEP 2. CONFIRM WIND ZONE** (p. 8)
- ▼ **STEP 3. CONFIRM THERMAL ZONE** (p. 9)
- ▼ **STEP 4. CONFIRM ROOF-LOAD ZONE** (p. 10)
- ▼ **STEP 5. CHECK LOCAL CODES AND SECURE PERMITS** (p. 12)

STEP 1. LOCATE THE DATA PLATE

Locate the data plate inside the home (**Figure 2**), typically inside a kitchen cabinet door or on a wall panel or door face near the electrical panel, utility room, or bedroom closet.

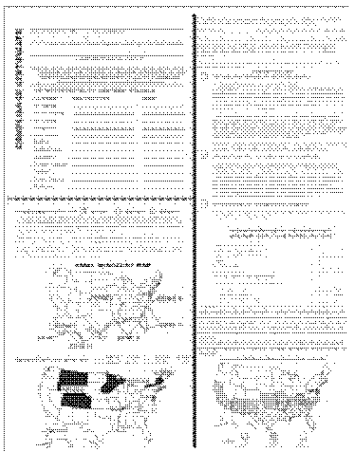


Figure 2. Sample data plate

The information on the data plate will be used to verify that the home was designed for the proper location.

STEP 2. CONFIRM WIND ZONE

From **Table 1**, identify the wind zone for the home. Verify that the home conforms to the following rules and any special requirements determined by the LAHJ.

- No home may be located in a higher wind zone than that indicated on the data plate. (Example: a home designed for Wind Zone II cannot be placed in Wind Zone III.)
- A home may be located in a lower wind zone than that indicated on the data plate. (Example: a home designed for Wind Zone II can be placed in either Wind Zone II or I.)
- Homes located within 1,500 feet of the coastline in Wind Zones II and III must be designed to withstand exposure 'D' conditions. This will be indicated on the data plate.

If the home does not conform to these rules, contact the manufacturer immediately.



Site appropriateness. If the site is not accessible, not appropriate for the planned support system or cannot be properly graded, notify the purchaser, the retailer and HUD, with the reasons why the site is unsuitable. Do not install the home until all issues are remedied.

APPROVED BY

TABLE 1. WIND ZONE BY LOCALITY

Wind Zone I	
All areas except those areas listed below as being within Wind Zone II or III	
Wind Zone II	
Alabama	Counties of Baldwin and Mobile
Florida	All counties except those listed below as within Wind Zone III
Georgia	Counties of Bryan, Camden, Chatham, Glynn, Liberty, McIntosh
Louisiana	Parishes of Acadia, Allen, Ascension, Assumption, Calcasieu, Cameron, East Baton Rouge, East Feliciana, Evangeline, Iberia, Iberville, Jefferson Davis, Lafayette, Livingston, Pointe Coupee, St. Helena, St. James, St. John the Baptist, St. Landry, St. Martin, St. Tammany, Tangipahoa, Vermillion, Washington, West Baton Rouge, and West Feliciana
Maine	Counties of Hancock and Washington
Massachusetts	Counties of Barnstable, Bristol, Dukes, Nantucket, and Plymouth
Mississippi	Counties of George, Hancock, Harrison, Jackson, Pearl River, and Stone
North Carolina	Counties of Beaufort, Brunswick, Camden, Chowan, Columbus, Craven, Currituck, Jones, New Hanover, Onslow, Pamlico, Pasquotank, Pender, Perquimans, Tyrrell, and Washington
South Carolina	Counties of Beaufort, Berkeley, Charleston, Colleton, Dorchester, Georgetown, Horry, Jasper, and Williamsburg
Texas	Counties of Aransas, Brazoria, Calhoun, Cameron, Chambers, Galveston, Jefferson, Kennedy, Kleberg, Matagorda, Nueces, Orange, Refugio, San Patricio, and Willacy
Virginia	Cities of Chesapeake, Norfolk, Portsmouth, Princess Anne, and Virginia Beach
Wind Zone III	
Hawaii	Entire state
Alaska	Coastal regions (as determined by the 90 mph isotach on the ANSI/ASCE 7-88 map)
Florida	Counties of Broward, Charlotte, Collier, Dade, Franklin, Gulf, Hendry, Lee, Martin, Manatee, Monroe, Palm Beach, Pinellas, and Sarasota
Louisiana	Parishes of Jefferson, La Fourche, Orleans, Plaquemines, St. Bernard, St. Charles, St. Mary, and Terrebonne
North Carolina	Counties of Carteret, Dare, and Hyde
Other	All regions of the U.S. Territories of American Samoa, Guam, Northern Mariana Islands, Puerto Rico, Trust Territory of the Pacific Islands, and the United States Virgin Islands

STEP 3. CONFIRM THERMAL ZONE

From Table 2, identify the thermal (UO) zone for the home. Verify that the home conforms to the following rules.

- No home may be located in an area with a higher thermal zone number than that indicated on the data plate. (Example: a home designed for Thermal Zone 2 cannot be placed in Thermal Zone 3.)
- A home may be located in a lower thermal zone than that indicated on the data plate. (Example: a home designed for Thermal Zone 2 may be placed in either Thermal Zone 2 or 1.)
- In no case may a home designated for installation in the "Humid & Fringe Climate," as identified on the data plate, be located outside of this region (Table 2).

If the home does not conform to these rules, contact the manufacturer immediately.

Cavco Information Systems

APPROVED BY



Cavco Industries Inc

SU-9

Getting Started

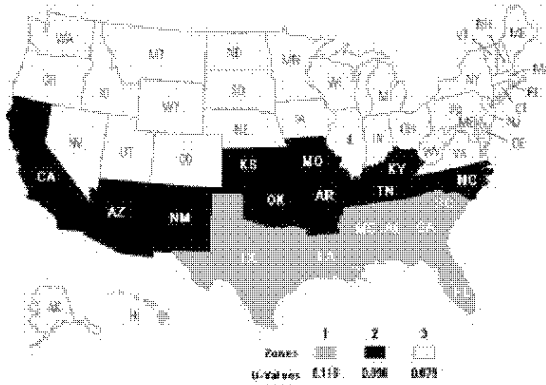


Figure 3. Thermal (UO) zone map

TABLE 2. HUMID AND FRINGE CLIMATE ZONES

Humid and Fringe Climate Zone	
Alabama	Counties of Baldwin, Barbour, Bullock, Butler, Choctaw, Clarke, Coffee, Conecuh, Covington, Crenshaw, Dale, Escambia, Geneva, Henry, Houston, Lowndes, Marengo, Mobile, Monroe, Montgomery, Pike, Washington, and Wilcox
Florida	All counties and locations
Georgia	Counties of Appling, Atkinson, Bacon, Baker, Ben Hill, Berrien, Brantley, Brooks, Bryan, Calhoun, Camden, Charleston, Chatham, Clay, Clinch, Coffee, Colquitt, Cook, Crisp, Decatur, Dougherty, Early, Echols, Effingham, Evans, Glynn, Grady, Irwin, Jeff Davis, Lanier, Lee, Liberty, Long, Lowndes, McIntosh, Miller, Mitchell, Pierce, Quitman, Randolph, Seminole, Tattnall, Terrell, Thomas, Tift, Turner, Ware, Wayne, and Worth
Hawaii	All counties and locations
Louisiana	All counties and locations
Mississippi	Counties of Adams, Amite, Claiborne, Clarke, Copiah, Covington, Forrest, Franklin, George, Greene, Hancock, Harrison, Hinds, Issaquena, Jackson, Jasper, Jefferson, Jefferson Davis, Jones, Lamar, Lawrence, Lincoln, Marion, Pearl River, Perry, Pike, Rankin, Simpson, Smith, Stone, Walthall, Warren, Wayne, and Wilkinson
North Carolina	Counties of Brunswick, Carteret, Columbus, New Hanover, Onslow, and Pender
South Carolina	Counties of Beaufort, Berkeley, Charleston, Colleton, Dorchester, Georgetown, and Horry
Texas	Counties of Anderson, Angelina, Aransas, Atascosa, Austin, Bastrop, Bee, Bexar, Brazoria, Brooks, Burleson, Caldwell, Calhoun, Cameron, Camp, Cass, Chambers, Cherokee, Colorado, Comal, De Witt, Dimmit, Duval, Falls, Fayette, Fort Bend, Franklin, Freestone, Frio, Galveston, Goliad, Gozales, Gregg, Grimes, Guadalupe, Hardin, Harris, Harrison, Hays, Henderson, Hidalgo, Hopkins, Houston, Jackson, Jasper, Jefferson, Jim Hogg, Jim Wells, Karnes, Kaufman, Kennedy, Kinney, Kleberg, La Salle, Lavaca, Lee, Leon, Liberty, Limestone, Live Oak, Madison, Marion, Matagorda, Maverick, McMullen, Medina, Milam, Montgomery, Morris, Nacogdoches, Navarro, Newton, Nueces, Orange, Panola, Polk, Rains, Refugio, Robertson, Rusk, Sabine, San Augustine, San Jacinto, San Patricio, Shelby, Smith, Starr, Titus, Travis, Trinity, Tyler, Upshur, Uvalde, Val Verde, Van Zandt, Victoria, Walker, Waller, Washington, Webb, Wharton, Willacy, Williamson, Wilson, Wood, Zapata, and Zavala

STEP 4. CONFIRM ROOF LOAD ZONE

From Table 3, identify the Roof Load Zone for the home. Verify that the home conforms to the following rules.

- No home may be placed in an area with a higher roof load than that indicated on the data plate. (Example: a home designed for the South (20 psf) Roof Load Zone cannot be placed in the Middle (30 psf) Roof Load Zone).
- A home may be located in an area with a lower roof load than that indicated on the data plate. (Example: a home designed for the Middle (30 psf) Roof Load Zone may be placed in the South (20 psf) Roof Load Zone).
- There are special high roof load areas (primarily in mountains) not shown on the map. Contact the LAHJ or SAA for information about these areas. The home's data plate will indicate if the home has been designed for one of these high roof load areas.
- Ramadas may be used in areas with roof live loads greater than 40 psf. Ramadas are to be self-supporting, except that any connection to the home must be for weatherproofing only.

Cavco Installation Manual

APPROVED BY



Cavco Industries Inc

Getting Started

TABLE 3. ROOF LOADS BY LOCALITY

North (40 psf roof load)	
Alaska	All counties
Maine	Counties of Aroostook, Piscataquis, Somerset, Penobscot, Waldo, Knox, Hancock, Washington
Middle (30 psf roof load)	
Colorado	All counties
Idaho	All counties
Iowa	Counties of Buena Vista, Butler, Calhoun, Cerro Gordo, Cherokee, Chickasaw, Clay, Dickinson, Emmet, Floyd, Franklin, Hamilton, Hancock, Hardin, Howard, Humboldt, Ida, Kossuth, Lyon, Mitchell, O'Brien, Osceola, Palo Alto, Plymouth, Pocahontas, Sac, Sioux, Webster, Winnebago, Worth, Wright
Maine	Counties of Androscoggin, Cumberland, Franklin, Kanabec, Lincoln, Oxford, Sagadahoc, York
Massachusetts	County of Essex
Michigan	Counties of Alger, Alcona, Alpena, Antrim, Baraga, Benzie, Charlevoix, Cheboygan, Chippewa, Crawford, Delta, Dickson, Emmet, Gogebic, Grand Traverse, Houghton, Iron, Kalkaska, Keweenaw, Leelanau, Luce, Mackinac, Marquette, Menominee, Missaukee, Montmorency, Ogemaw, Ontonagon, Oscoda, Otsego, Presque Isle, Roscommon, Schoolcraft, Wexford
Minnesota	Counties of Aitkin, Anoka, Benton, Blue Earth, Brown, Cass, Carlton, Carver, Chippewa, Chisago, Cook, Cottonwood, Crow Wing, Dakota, Dodge, Douglas, Faribault, Fillmore, Freeborn, Goodhue, Grant, Hennepin, Hubbard, Itasca, Isanti, Jackson, Kandiyohi, Kanabec, Koochiching, Lac qui Parle, Lake, Le Sueur, Lincoln, Lyon, McLeod, Meeker, Morrison, Millie Lacs, Mower, Martin, Murray, Nicollet, Nobles, Olmsted, Pipestone, Pine, Pope, Ramsey, Redwood, Renville, Rice, Rock, St. Louis, Sibley, Scott, Steele, Sherburne, Swift, Stearns, Stevens, Todd, Wadena, Wright, Washington, Wabasha, Winona, Waseca, Watonwan, Yellow Medicine
Montana	All Counties
New Hampshire	All Counties
New York	Counties of Cayuga, Clinton, Essex, Erie, Franklin, Fulton, Genesee, Hamilton, Herkimer, Jefferson, Lewis, Livingston, Madison, Monroe, Montgomery, Niagara, Oneida, Onondaga, Ontario, Orleans, Oswego, St. Lawrence, Saratoga, Schenectady, Seneca, Warren, Washington, Wayne, Wyoming, Yates
South Dakota	Counties of Brookings, Clay, Codington, Deuel, Grant, Hamlin, Hanson, Hutchinson, Kingsbury, Lake, Lincoln, McCook, Miner, Minnehaha, Moody, Turner, Union, Yankee
Utah	All Counties
Vermont	Counties of Addison, Caledonia, Chittenden, Essex, Franklin, Grand Isle, Lamoille, Orange, Orleans, Rutland, Washington, Windsor
Wisconsin	Counties of Ashland, Bayfield, Barron, Buffalo, Burnett, Clark, Chippewa, Door, Douglas, Dunn, Eau Claire, Florence, Forest, Iron, Jackson, Langlade, Lincoln, Marathon, Marinette, Menominee, Oconto, Oneida, Pepin, Pierce, Polk, Price, Rusk, St. Croix, Sawyer, Taylor, Trempealeau, Vilas, Washburn
Wyoming	All Counties
South (20 psf roof load)	
Other	The states and counties not listed for the Middle or North roof load zone above are deemed to be within the South roof load zone.

Is the data plate present and the home placed in the appropriate wind, thermal, and roof load zones?

- ▶ **YES**, go to **STEP 5, CHECK LOCAL CODES AND SECURE PERMITS**, (p. 12)
- ▶ **NO**, Stop installation activities and notify the home retailer, purchaser and HUD

Cavco Industries Inc.

APPROVED BY



Cavco Industries Inc

SU-11

Getting Started

STEP 5. CHECK LOCAL CODES AND SECURE PERMITS

Local regulations may set conditions for the siting and installation of a manufactured home. Consult the LAHJ, state manufactured housing association, and the state SAA (See **Resources**, p. 3) for the specific local requirements, including:

- Building codes that may affect the construction of site built structures and infrastructure.
- Local requirements regulating the installation of manufactured homes.
- Setback requirements for property lines, streets, yards, and courts.
- Fire separation distances.
- Development covenants for the specific property.
- The locations of flood hazard areas and any special foundation requirements for homes installed in those areas.
- In some areas, building permits are required to install manufactured homes. Prior to making any alteration to the site and the home, contact the LAHJ to determine if plan approval and permits are required.



Areas subject to flooding.

The foundation specifications contained in this manual are NOT intended to address flood loads. If the home is in the flood plain, consult a registered engineer.

▶ go to **Prepare the Site** (p. 13)

APPROVED BY



Cavco Industries Inc

Prepare the Site

A properly prepared site is critical to a good quality installation and the long term structural stability of the home.

This chapter explains the process of planning the site, evaluating the soil, and preparing the site for construction of the home's support system.

Follow the Steps below:

- ▼ **STEP 1. PLAN SITE ACCESS** (p. 13)
- ▼ **STEP 2. DETERMINE HOME LOCATION AND LAYOUT** (p. 13)
- ▼ **STEP 3. CLEAR AND GRADE THE SITE** (p. 14)
- ▼ **STEP 4. DETERMINE SOIL CONDITIONS** (p. 14)
- ▼ **STEP 5. DETERMINE SOIL BEARING CAPACITY AND FROST LINE** (p. 14)
- ▼ **STEP 6. DETERMINE GROUND ANCHOR HOLDING CAPACITY** (p. 15)

STEP 1. PLAN SITE ACCESS

Planning the route to the site is typically the responsibility of the retailer or transportation company. Whoever is responsible must secure state permits from the states through which the home will pass.

In planning the route, avoid obstructions that might interfere with the passage of the home, such as low hanging wires and trees, low overpasses, and bridges not suitable for the load. Contact the utility company if wires need to be moved. Do not allow branches, bushes, or other foliage to scrape against the home as the home is moved to the site. Avoid ditches, berms, steep slopes, and soft ground. Identify and fill any holes and soft spots into which the transporter's wheels may sink. Avoid moving over steep changes in grade (20 degrees or more).

If required, provide for home storage and staging areas on the site. Plan the delivery and staging of home sections and materials so that after all deliveries are complete, home sections and materials can be accessed for use and installed in the appropriate sequence. Orient home sections so they do not have to be rotated or excessively maneuvered during the installation process. Plan for temporary needs, such as dumpsters, portable toilets, crew parking, delivery vehicle drop-offs and concrete mixer deliveries.

Before moving the manufactured home to the site, inform the LAHJ and make sure the site is prepared and utilities are available.

STEP 2. DETERMINE HOME LOCATION AND LAYOUT

The home location may have already been determined by others. If not, plan the home location and layout in compliance with the regulations researched in **Getting Started, STEP 5. CHECK LOCAL CODES AND SECURE PERMITS** (p. 8). Contact utilities for locations of existing infrastructure, such as underground cables, pipes, and electrical lines.

When planning the site improvements, consider the following:

- The home location should be level.
- Avoid contact with large trees, steep slopes, poorly drained areas, and potential flood zones.
- Preserve trees and shrubs for shade, visual screens, and windbreaks.
- Plan the driveway, parking areas, septic, well, other structures, and utility lines.



Site Preparation. The home manufacturer has no control over the site planning and installation of the home unless the manufacturer is responsible for the home's installation. Final responsibility for site preparation, including soil stability and frost heave control, lies with the installer. An improperly prepared site may result in the denial of a foundation-related warranty claim.



Fire separation. Comply with any LAHJ fire separation requirements or the requirements NFPA 501A, 2003 edition (Chapter 6).

Cavco Industries Inc.

APPROVED BY



Cavco Industries Inc

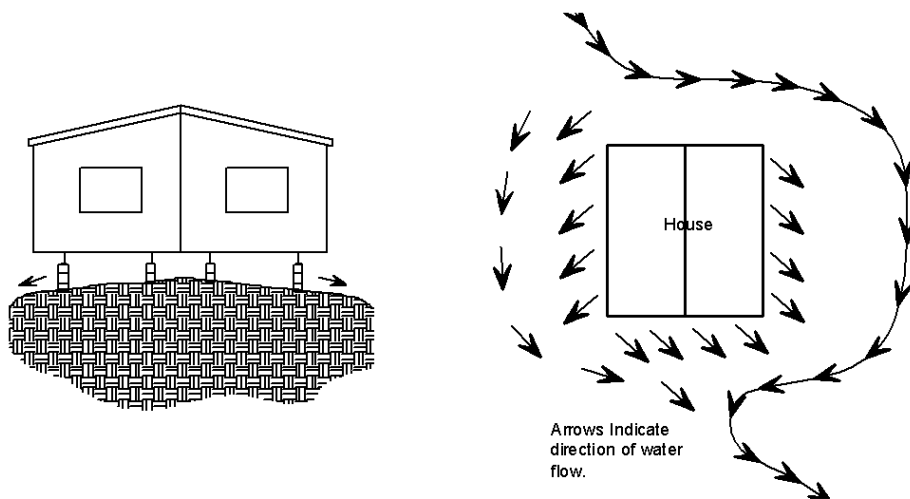
Prepare the Site

- Consider future additions, such as screen rooms, porches, and awnings.
- Site the home away from natural water paths.

STEP 3. CLEAR AND GRADE THE SITE

Trim overhanging foliage considering future growth, potential storms, swaying in wind and snow/ice-weighted branches. Remove organic material such as vegetation, wood, roots, twigs, dead branches, grass, and brush from directly under the home. Remove any debris that could become termite infested from the site and surrounding area. Remove all other debris from the home location, including roots from beneath footing locations. Properly dispose of all items.

Crown the site (**Figure 4**) away from the foundation for the first ten feet with a minimum slope of 1/2 inch per foot. Where property lines, walls, slopes, or other physical conditions prohibit this slope, provide the site with drains, swales, or grading to drain water away from the structure. Any fill required to grade the site should be inorganic "controlled fill" applied in a maximum of four inch layers, compacted between each layer to at least 90% of its maximum relative density. Direct runoff away from the site using ditches and berms (**Figure 5**). If the home will have skirting, start grading from two feet in from the edge of the home.



Grade the ground so that water under porches, decks, and recessed entries flows away from the home. If proper grading is not possible, use other methods such as a drain tile and automatic sump pump system to remove any water that may collect under the home.

The home is suitable for the installation of gutters and downspouts. When gutters and downspouts are installed, direct runoff away from the home.

STEP 4. DETERMINE SOIL CONDITIONS

Examine the soil type under the proposed home location to make sure it is suitable for placement of a home. The design of the home's support system, including footing/pier spacing and size, will in part be determined by the bearing capacity of the soil, and if ground anchors are used, by the soil's withdrawal strength.

The soil under every portion of the support system must meet the following criteria:

- The soil must be firm and undisturbed (not previously excavated) or fill compacted to at least 90% of its maximum relative density. Uncompacted fill will settle over time, causing the home to shift and become unlevel.
- Fill must not contain large debris. This too will settle over time.
- The soil must not be comprised of organic clays or peat. Organic material can decay, causing settlement, and also may harbor pests that can infest the home.
- The water table must be below the lowest level of the planned support sys-



Site drainage. Moisture under the home can result in structural damage to the floor system and other parts of the home. Failure to provide adequate slope/drainage can result in moisture-related problems such as mold, mildew, and erosion.

Figure 4. Crown the soil under the home to prevent water ponding

Figure 5. Direct runoff away from the home

APPROVED BY



Soil. Inadequate soil bearing capacity or a support system mismatched to the soil characteristics can result in excessive or differential settlement of the home, which can cause the home to go out of level, resulting in jammed doors and windows, cracks in finishes and ruptured plumbing connections.

Prepare the Site

tem/foundation. A soil's bearing capacity can be greatly reduced when it is saturated with water. Note that water tables may vary with seasonal or climactic conditions. Consult a geologist or the LAHJ if you are unsure of the water table level.

- The soil must not be a highly expansive type. Expansive soils can expand when they become saturated with water, causing the home to shift and become unlevel. If soils are expansive, contact a registered engineer, or registered architect to assist with the design of the foundation system.

Does the soil meet these criteria?

- ▶ **YES**, go to **STEP 5, DETERMINE SOIL BEARING CAPACITY AND FROST LINE**, (p. 15)
- ▶ **NO**, Consult a registered engineer, registered architect, or geologist to determine a suitable soil bearing capacity.

STEP 5. DETERMINE SOIL-BEARING CAPACITY AND FROST LINE

The soil under a home must be capable of withstanding the loads imposed by the weight of the home, its support system and furnishings, as well as any loads imposed by wind, snow, or other climactic conditions.

SOIL-BEARING CAPACITY

Determine the soil-bearing capacity in pounds per square foot (psf) before designing a support system. The higher the capacity (psf), the more weight the soil can hold without unduly compressing. As the soil-bearing capacity increases, footings can be reduced in size or spaced farther apart.

Use one or more of the following methods to determine the site's soil bearing capacity:

- **Test the soil.** Hire a registered geologist, registered engineer, or registered architect to determine the soil classification and maximum allowable soil bearing capacity by testing the soil in accordance with generally accepted engineering practice.
- **Obtain soil records.** The local office of the U.S. Department of Agriculture's Natural Resources Conservation Service (www.soils.usda.gov) and/or the LAHJ may have test results and/or soil analyses on file for the area.
- **Conduct a pocket penetrometer test.** Use a pocket penetrometer to estimate allowable soil-bearing capacity as follows:
 1. Select a location that will be under a footing.
 2. Clear an area of a minimum of one square foot at least four inches deep or to the depth of the bottom of the planned footing.
 3. Using the instructions provided with the pocket penetrometer, take at least five readings.
 4. Discard the high and low readings and average the remaining readings. Round this result down to the nearest soil-bearing value shown in the right column of **Table 4**.
 5. Confirm that the rounded result matches the soil description on **Table 4**.
- **Determine soil-bearing value by visual examination.** If one of the options above is not available, the values on **Table 4** can be used to establish soil-bearing capacity by visual examination. This method provides lower capacity values than the options above. Accurate soil identification typically requires special training or expertise. An engineer or building code official may be able to assist in classifying the soil found on the site.



Soil bearing capacity. Support systems on soils with bearing capacities less than 1,000 psf must be designed by a registered engineer or registered architect and approved by the LAHJ.

Limitations of pocket penetrometers. Pocket penetrometers do not work on sand or gravel. Use **Table 4** to determine allowable pressure for these types of soils. If you encounter a layer of gravel, test the soil under the gravel. Do not put the penetrometer on stones larger than its tip as this will provide an inaccurate reading.

APPROVED BY



Cavco Industries Inc

SU-15

Prepare the Site

TABLE 4. SOIL-BEARING CAPACITY BY SOIL TYPE

Soil Type (and classification)	Allowable Pressure (psf)
Rock or hard pan (class 1)	4,000
Sandy gravel and gravel; very dense and/or cemented sands; coarse gravel/cobbles; preloaded silts, clays and coral (class 2)	2,000
Sand; silty sand; clayey sand; silty gravel; medium dense coarse sands; sandy gravel; very stiff silt; sand clays (class 3)	1,500
Clay, sandy clay, silty clay, clayey silt (classes 4A and 4B)	1,000
Uncompacted fill, peat, organic clays (class 5)	Professional testing required

Note to table: No allowances made for overburden pressure, embedment depth, water table height, or settlement problems.

- **Use default capacity.** Use an allowable pressure of 1,500 psf, unless site-specific information requires the use of lower values based on soil classification and type according to **Table 4**.

Note that soil types may vary across a home site. In this case, the soil with the lowest bearing capacity should be assumed when designing the support system. Keep a record of the soil-bearing capacity value; it will be used later to design the home's support system.

FROST LINE

In climates subject to ground freezing, consult the LAHJ, a registered engineer, or registered architect to determine the depth of the frost line. **Figure 6** may be used as a guideline when there is no specific local determination. Keep a record of the frost depth; it will be used later to design the home's support system.

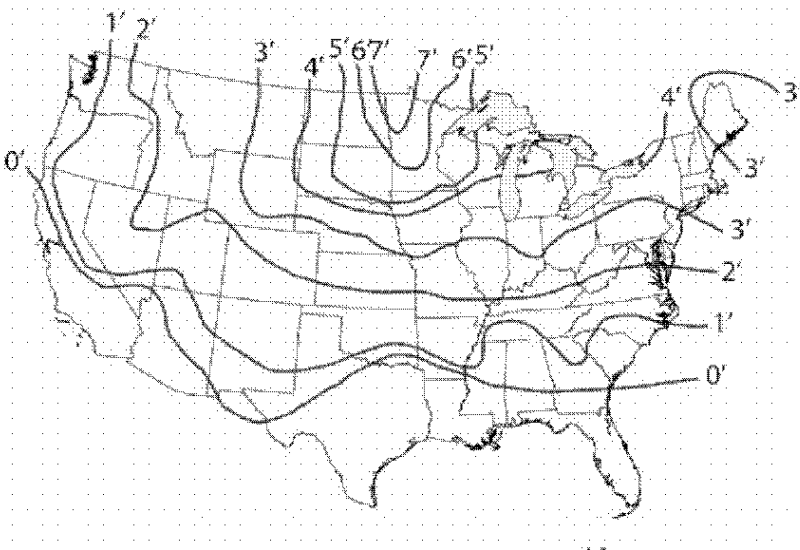


Figure 6. Average frost penetration depth (in feet)

Will this installation use auger-type ground anchors?

- ▶ **YES** go to **STEP 6, DETERMINE GROUND ANCHOR HOLDING CAPACITY**, (p. 17).
- ▶ **NO** go to **Construct Foundation**, (p. 33).

Cavco Installation Manual

APPROVED BY



Cavco Industries Inc

Prepare the Site

STEP 6. DETERMINE GROUND ANCHOR HOLDING CAPACITY

When using auger-type ground anchors to tie down the home, first, use a torque probe to determine the anchor-holding strength of the soil on the site.

Use a torque probe with a shaft of sufficient length to test the soil at the depth of the anchor helical plate. Augur the probe into the ground, and following the probe manufacturer's instructions, take the torque wrench reading in the area where the anchors will be installed and at the depth of the anchor helix. If the soil varies in consistency across the site, then use the lowest reading. Based on this reading, consult the anchor manufacturer's charts to select the anchor type(s).



Torque Probe. Before using the torque probe, check with the utility companies for the location of underground cables or pipes to avoid contact with the probe shaft.

What type of support system will this installation use?

- ▶ For pier and ground anchor, go to **Install Footings**, (p. 18)
- ▶ For load-bearing perimeter wall, go to **Construct Foundation**, (p. 33)

APPROVED BY



Cavco Industries Inc

Install Footings

Install Footings

This chapter provides instructions for the design and construction of individual footings that transfer the load from a single pier to the ground. A footing and pier together (discussed in **Set the Home**) is referred to as a "support." A footing may also be designed to carry the load of multiple piers (often called "strip" footings). The design of strip footings is not covered in this manual. **HOMES WITH A ROOF LIVE LOAD GREATER THAN 40PSF MUST BE PLACED ON A CONTINUOUS PERIMETER WALL.**

Follow the Steps below:

- ▼ **STEP 1. DETERMINE POINT LOAD SUPPORTS** (p. 18)
- ▼ **STEP 2. DETERMINE FRAME SUPPORTS** (Homes Without Perimeter Blocking) (p. 21)
- ▼ **STEP 3. DETERMINE FRAME AND PERIMETER SUPPORTS** (Homes With Perimeter Blocking) (p. 22)
- ▼ **STEP 4. SELECT FOOTING MATERIALS** (p. 26)
- ▼ **STEP 5. SIZE FOOTINGS** (p. 26)
- ▼ **STEP 6. INSTALL FOOTINGS** (p. 28)

STEP 1. DETERMINE POINT LOAD SUPPORTS

All homes will need supports, and therefore footings, under the frame, marriage line (for multi-section homes), exterior wall openings and other heavy point loads.

Create a sketch of the home that includes the exterior walls, the frame I-beams and the marriage line(s), if a multi-section home. The sketch will be used in this chapter to locate each support, and note the size of the corresponding footing. **Figure 7** is an example of such a support plan.

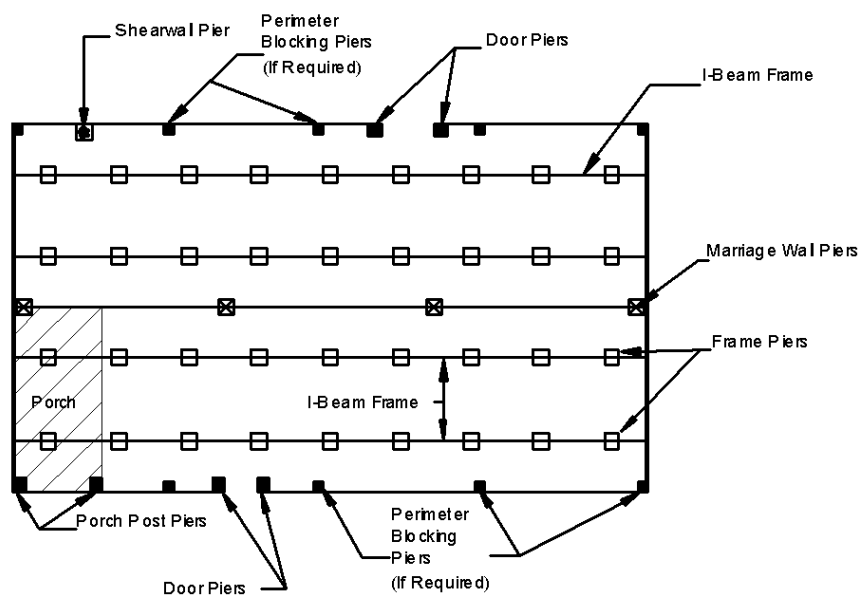


Figure 7. Example of support plan

As the location and load for each support is determined, note it on the sketch. When selecting locations for supports, keep in mind that increasing the spacing between supports will increase the load on that support and the size of the required footing.

Install Footings

DETERMINE LOCATIONS

Point loads exist where a bearing/structural weight is concentrated and transferred to the foundation at a specific point. Locate a support under each point load, including the following examples:

- Exterior doors on side walls at both sides of each door (blocking is not required at exterior doors on non-bearing end walls).
- Other exterior wall openings four feet and greater at both sides of each opening (including multiple windows that total four feet wide or more without intermediate supports, even if individual windows are less than four feet). See **Table 5** for sidewall opening loads.
- Marriage line columns as marked on the home or shown on an accompanying floor plan drawing.
- Full-height, bearing mate walls over 48" in length (see **Table 10**)
- Load-bearing porch posts.
- Under heavy (400 lbs or greater) items, such as heavy furniture, waterbeds, fireplaces and large fish tanks located outboard of the home's main I-beams.

Mark the required point load support locations on the sketch. **Figure 8** and **Figure 9** identify typical point load support locations.

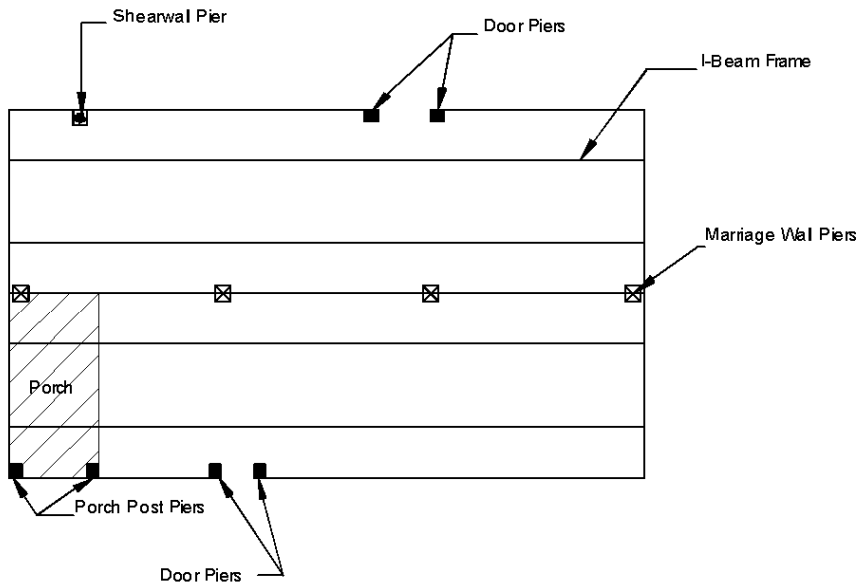


Figure 8. Typical point-load support locations

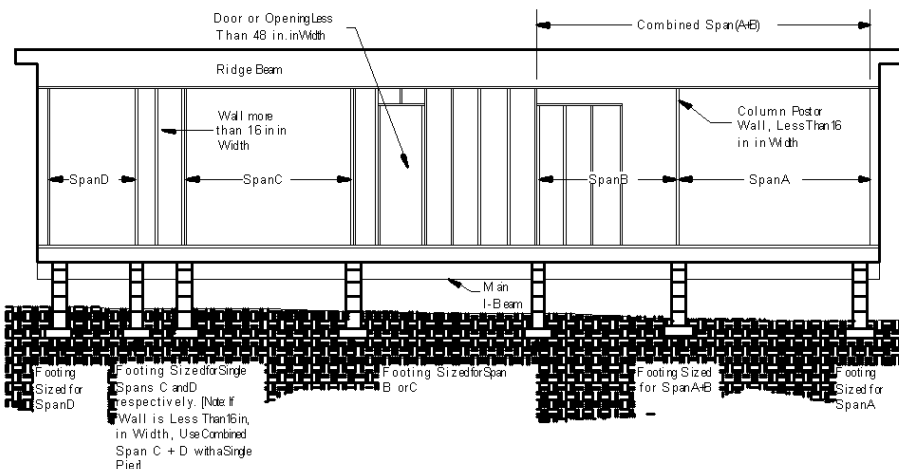


Figure 9. Typical point-load support locations along the marriage line

APPROVED BY



Cavco Industries Inc

Install Footings

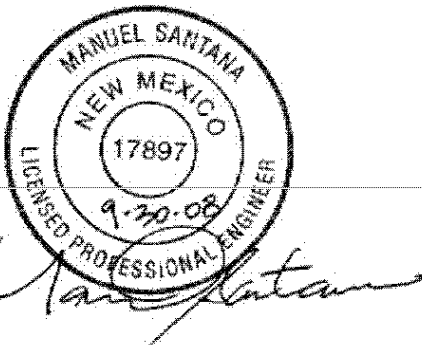
OBTAIN LOADS

Use Table 5 to determine the loads on sidewall opening supports. Note the required loads next to each point load support on the sketch.

TABLE 5. POINT LOAD AT SIDEWALL OPENINGS

Point Loads At Sidewall Openings, lbs										
Load		South (20 psf RLL)								
Width, in	120" *	120"	144"		164"		187.5"		208.5"	
Eave, in	16	16	0	16	0	16	0	16	0	
Span in feet	4	1000	1000	1000	1000	1000	1000	1000	1000	1000
	6	1000	1000	1000	1000	1000	1000	1000	1000	1000
	8	1000	1000	1000	1000	1000	1000	1060	1280	1130
	10	1000	1000	1000	1000	1000	1250	1340	1600	1430
	12	1010	1000	1000	1260	1230	1540	1610	1920	1730
	14	1230	1180	1160	1510	1470	1830	1880	2240	2040
	16	1460	1400	1370	1770	1710	2110	2160	2560	2340
Load		Middle (30 psf RLL)								
Width, in	120" *	120"	144"		164"		187.5"		208.5"	
Eave, in	16	16	0	16	0	16	0	16	0	
Span in feet	4	1000	1000	1000	1000	1000	1000	1000	1000	1000
	6	1000	1000	1000	1000	1000	1000	1070	1290	1140
	8	1000	1000	1000	1090	1070	1350	1430	1710	1530
	10	1150	1090	1080	1420	1380	1720	1780	2120	1920
	12	1430	1380	1350	1750	1690	2090	2130	2530	2310
	14	1720	1660	1620	2080	1990	2450	2480	2940	2700
	16	2000	1950	1890	2410	2300	2820	2830	3350	3090
Load		North (40 psf RLL)								
Width, in	120" *	120"	144"		164"		187.5"		208.5"	
Eave, in	16	16	0	16	0	16	0	16	0	
Span in feet	4	1000	1000	1000	1000	1000	1000	1000	1130	1000
	6	1000	1000	1000	1020	1010	1280	1360	1630	1460
	8	1160	1100	1090	1430	1390	1730	1790	2130	1940
	10	1510	1450	1420	1830	1760	2180	2220	2640	2410
	12	1860	1800	1750	2230	2140	2630	2650	3140	2890
	14	2200	2150	2080	2640	2520	3080	3080	3640	3370
	16	2550	2500	2410	3040	2890	3530	3510	4150	3850

1. Asterisk (*) indicates 75.5" main rail spacing. All other values are for 99.5" and 95.5 spacing.
2. 120" max. sidewall height, 7 psf wall dead load, 15psf roof dead load
3. When using recessed metal piers, 4x4 or 2-2x6 SPF/HF #2 pier bearing blocks must be used and must span a min. of 2 joists. Recessed metal piers can be used for a max load of 1700lbs with 2x6 floor joists and 2250lbs with 2x8 floor joists. Does not apply if block piers are used.
4. Table may be used for multiwides. Pier dead load is not included.



Install Footings

Determine from the **LOAD ON PERIMETER SUPPORTS (TABLE 9)** if the home requires perimeter blocking.

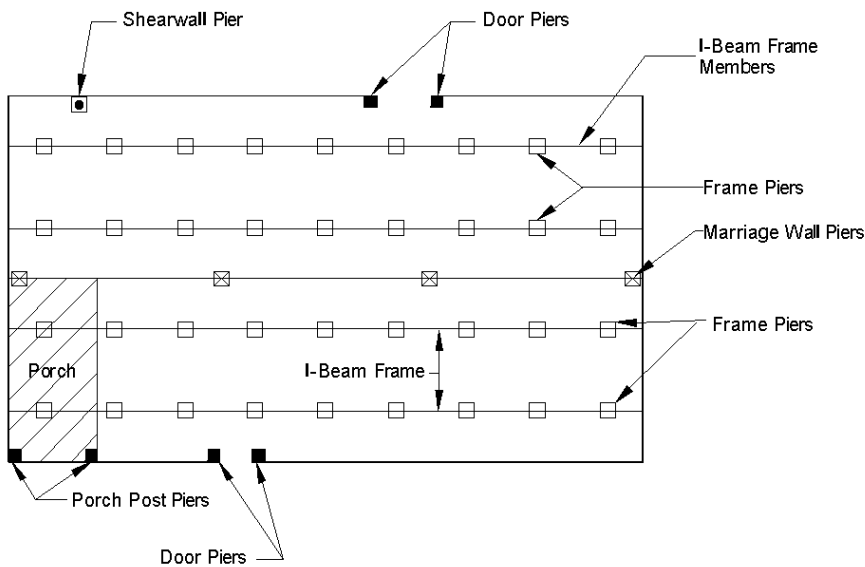
- ▶ If perimeter blocking is **NOT** required, go to **STEP 2, DESIGN FRAME SUPPORTS (Homes Without Perimeter Blocking)**, (p. 21)
- ▶ If perimeter blocking is required, go to **STEP 3, DESIGN FRAME AND PERIMETER SUPPORTS (Homes With Perimeter Blocking)**, (p. 21).

STEP 2. DETERMINE FRAME SUPPORTS (Homes Without Perimeter Blocking)

DETERMINE LOCATIONS

All homes require regularly spaced supports along all main frame I-beams. Select the desired spacing between supports and sketch them on the support plan. Generally, greater distances between supports will require larger footings.

Figure 10 shows typical frame support locations.



Spacing frame supports.

There must be a support located near the end of each I-beam such that there is no more than 24 inches of beam past the edge of the support.

Figure 10. Typical support locations for homes not requiring regularly spaced perimeter supports

DETERMINE LOADS

For homes that do not require perimeter piers, use **Table 6** to select the loads on the piers based on the home specifications and the desired spacing.

For homes that require perimeter support and are installed with a bearing, continuous perimeter wall, use **Table 7** to select the loads on the frame piers based on the home specifications and the desired spacing.

Loads on all frame supports can be assumed to be equal if support spacing is equal.

Note the location and load required of each support on the sketch.

APPROVED BY



Cavco Industries Inc

Install Footings

TABLE 6. LOAD ON FRAME SUPPORTS FOR HOMES NOT REQUIRING PERIMETER SUPPORTS

Roof Load		Roof load zone and max. section width						
		South (20 psf)				Middle (30 psf)		
Width, in		120	144	164	187.5	120	144	164
Eave, in		16	16	16	6	16	16	16
Pier Spcng	4 ft	2220	2560	2840	3060	2470	2850	3170
	6 ft	3330	3840	4260	4590	3710	4280	4750
	8 ft	4430	5110	5680	6110	4940	5700	6330

1. Table uses 120" max. sidewall height, 7 psf wall dead load, 15psf roof dead load and 12plf frame load
2. See Table 8 for configurations not covered by this table.
3. Pier dead load is not included.

TABLE 7. LOAD ON FRAME SUPPORTS FOR HOMES WITH CONTINUOUS PERIMETER SUPPORT

Roof Load		Roof load zone and max. section width				
		ALL ROOF LOADS				
Width, in		120	144	164	187.5	208.5
Pier Spcng	4 ft	1050	1250	1420	1620	1790
	6 ft	1580	1880	2130	2420	2680
	8 ft	2100	2500	2830	3230	3580

1. Table uses 10psf floor dead load, 40psf floor live load and 12plf frame load
2. Pier dead load is not included.

▶ go to **STEP 4. SELECT FOOTING MATERIALS** (p. 26)

STEP 3. DETERMINE FRAME AND PERIMETER SUPPORTS (Homes With Perimeter Blocking)

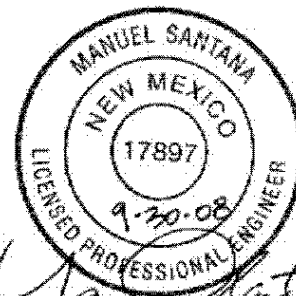
DETERMINE LOCATIONS

Depending on design and location, some homes require regularly spaced perimeter supports along all of the sidewalls in addition to frame supports. See Table 9 to determine if your home requires perimeter supports, if there are loads on Table 9 for your configuration then your home needs perimeter supports.

All homes require supports under bearing mate walls over 48" in length. See Table 10

If required, perimeter supports are only needed on bearing walls. Bearing walls are those walls that support the ends of roof trusses or rafters (typically sidewalls and marriage walls but not end walls of main units or sidewalls of tag units).

To minimize the number of required perimeter supports, space them evenly between point load supports as shown in Figure 11 and Figure 12 (but not under spans). These figures identify typical support locations for homes requiring perimeter supports.



APPROVED BY



Cavco Industries Inc

SU-22

Install Footings

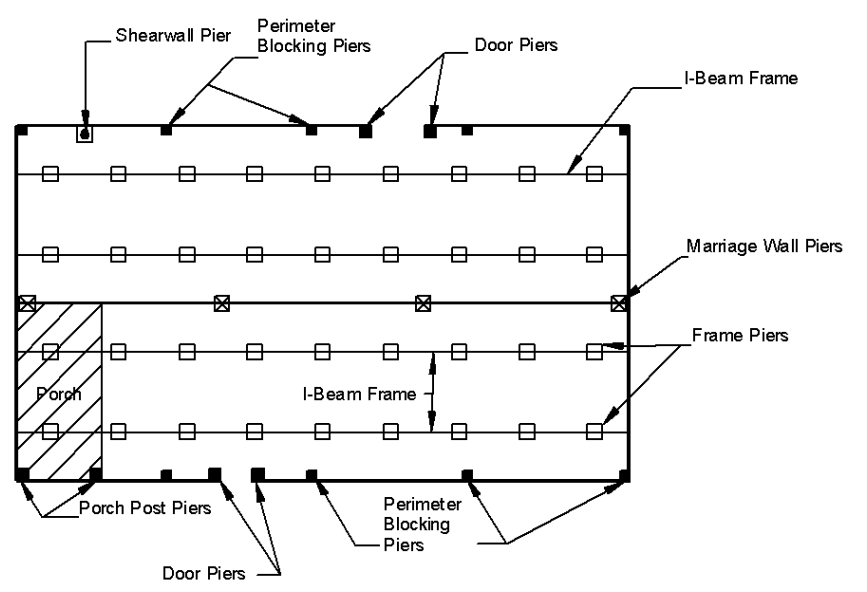


Figure 11. Typical support locations for homes requiring perimeter supports

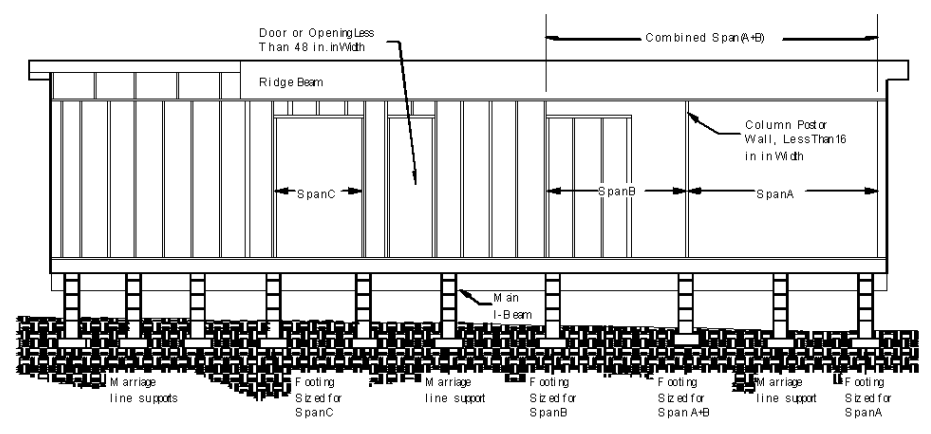


Figure 12. Typical marriage line support locations for homes requiring perimeter supports

CALCULATE LOADS

Use **Table 8** to determine frame support loads when perimeter supports are required. Use **Table 9** to determine the perimeter support loads and spacing. Use **Table 10** to determine the loads on bearing mate wall piers.

Note the location and load required of each support on the sketch.

Cavco Installation Manual

Install Footings

TABLE 8. LOAD ON FRAME SUPPORTS FOR HOMES REQUIRING PERIMETER BLOCKING

Roof Live Load, psf		Frame Pier Loads With Perimeter Piers, lbs								
Section Width, in		South (20 psf)								
Eave Width, in		120" *	120"	144"		164"		187.5"		208.5"
Maximum Pier Spacing	4 ft	2220	2220	2370	2560	2660	2820	2520	2520	2890
	6ft	3330	3330	3560	3840	3980	4220	3780	3780	4330
	8 ft	4430	4430	4740	5110	5310	5630	5040	5040	5770

Roof Live Load, psf		Middle (30psf)								
Section Width, in		120" *	120"	144"		164"		187.5"		208.5"
Eave Width, in		16	16	0	16	0	16	0	16	0
Maximum Pier Spacing	4 ft	2470	2470	2610	2850	2820	2820	2520	2520	2890
	6ft	3710	3710	3920	4280	4220	4220	3780	3780	4330
	8 ft	4940	4940	5220	5700	5630	5630	5040	5040	5770

Roof Live Load, psf		North (40psf)								
Section Width, in		120" *	120"	144"		164"		187.5"		208.5"
Eave Width, in		16	16	0	16	0	16	0	16	0
Maximum Pier Spacing	4 ft	2730	2730	2850	2920	2820	2820	2520	2520	2890
	6ft	4090	4090	4280	4370	4220	4220	3780	3780	4330
	8 ft	5450	5450	5700	5830	5630	5630	5040	5040	5770

1. Asterisk (*) indicates 75.5" main rail spacing, all other values are for 95.5" and 99.5" spacing
2. Table uses 120" max sidewall height, 7psf wall dead load, 15psf roof dead load and 12plf frame dead load
3. Table uses the floor system to transfer load back to the frame. It assumes 14ga outriggers and 13ga x-members at 8 ft o.c.
4. Pier dead load is not included.


TABLE 9. LOAD ON PERIMETER SUPPORTS

Roof Live Load, psf		Perimeter Pier Loads, lbs								
Section Width, in		South (20 psf)								
Eave Width, in		120" *	120"	144"		164"		187.5"		208.5"
Maximum Pier Spacing	4 ft	NR	NR	NR	NR	NR	1000	1000	1000	1000
	6ft	NR	NR	NR	NR	NR	1000	1000	1000	1000
	8 ft	NR	NR	NR	NR	NR	1000	1000	1310	1000

APPROVED BY



Cavco Industries Inc

SU-24

Install Footings

Roof Live Load, psf		Middle (30psf)								
Section Width, in		120" *	120"	144"		164"		187.5"		208.5"
Eave Width, in		16	16	0	16	0	16	0	16	0
Maximum Pier Spacing	4 ft	NR	NR	NR	NR	1000	1000	1000	1030	1000
	6ft	NR	NR	NR	NR	1000	1000	1180	1540	1120
	8 ft	NR	NR	NR	NR	1000	1000	1570	2050	1500

Roof Live Load, psf		North (40psf)								
Section Width, in		120" *	120"	144"		164"		187.5"		208.5"
Eave Width, in		16	16	0	16	0	16	0	16	0
Maximum Pier Spacing	4 ft	NR	NR	NR	1000	1000	1000	1100	1390	1100
	6ft	NR	NR	NR	1000	1000	1030	1640	2080	1640
	8 ft	NR	NR	NR	1000	1000	1370	2190	2780	2190

1. NR = Not Required
2. Asterisk (*) indicates 75.5" main rail spacing, all other values are for 95.5" and 99.5" spacing
3. Table uses 120" max sidewall height, 7psf wall dead load and 15psf roof dead load
4. Site installed outriggers may not replace perimeter piers.
5. When using recessed metal piers, 4x4 or 2-2x6 SPF/HF #2 pier bearing blocks must be used and must span a min. of 2 joists. Recessed metal piers can be used for a max load of 1700lbs with 2x6 floor joists and 2250lbs with 2x8 floor joists. Does not apply if block piers are used.
6. Pier dead load is not included.

TABLE 10. LOAD ON BEARING MATE WALL PIERS

Pier Loads at Bearing Mate Wall, lbs					
Max Roof Live Load	Pier Spacing	Max. Section Width, inches			
		120	144	164	187.5
20 psf	4 ft	1800	2080	2320	2590
	6ft	2700	3120	3470	3890
30 psf	4 ft	2200	2560	2860	3220
	6ft	3300	3840	4290	4820
40 psf	4 ft	2600	3040	3410	3840
	6ft	3900	4560	5110	5760
60 psf	4 ft	3400	4000	4500	5090
	6ft	5100	6000	6750	7640
80 psf	4 ft	4200	4960	5600	6340
	6ft	6300	7440	8390	9510
100 psf	4 ft	5000	5920	6690	7590
	6ft	7500	8880	10030	11390

1. Values in table are for load from both halves along the mate line
2. Piers must support rim joists from both halves when the bearing mate wall length exceeds 48"
3. Table uses 120" mate wall height, 15psf roof dead load and 5psf wall dead load.
4. Pier dead load is not included



Cavco Installation Manual

APPROVED BY



Cavco Industries Inc

SU-25

Install Footings

STEP 4. SELECT FOOTING MATERIAL

Select one of the products and materials from **Table 11** for the footings.

TABLE 11. FOOTING MATERIALS

Material	Appropriate Use	Specification
Poured concrete	All soil types	Minimum 6" thick poured-in-place concrete pads, slabs, or ribbons with at least a 28 day compressive strength of 3,000 psi. Cast-in-place concrete footings may also require reinforcing steel based on acceptable engineering practice, the design loads, and site specific soil conditions.
Pre-cast concrete	All soil types	Minimum 4" thick nominal precast concrete pads meeting or exceeding ASTM C 90-02a, Standard Specification for Load Bearing Concrete Masonry Units, without reinforcement, with at least a 28-day compressive strength of 2,500 psi.
ABS plastic	Stable soils	Use in accordance with the pad manufacturer's instructions. Must be certified for use in the soil classification at the site, listed and labeled for the required load capacity.
Proprietary systems	Consult system manufacturer	Consult system manufacturer.
Preservative-treated Lumber	Stable soils	Shall be pressure treated in accordance with the American Wood Preserver's Association Standard AWPA UCS-U1-04, Use category UC4B and shall be stamped as such by and approved agency. Wood that is cut or drilled after treatment shall be field treated in accordance with AWPA standard M4-2 and the product label of the field treatment preservative.

Will footings be concrete?

- ▶ **YES**, go to **STEP 5, SIZE FOOTING**, (p. 26)
- ▶ **NO**, see footing system manufacturer's instructions. For on-grade footings, the ground moisture barrier may be installed now – see **Complete Exterior Work, STEP 2. INSTALL GROUND MOISTURE RETARDER** (p. 103) then go to **Set the Home** (p. 35).



Frost protection. When selecting footing materials, bear in mind the need for frost protection. Not all footing materials are suitable for freezing climates..

STEP 5. SIZE FOOTINGS

Once the load on the footing and the soil-bearing capacity are known, calculate the size of each footing as follows: (For **WOOD FOOTINGS** see **Figure 15 – Figure 24**)

1. From **Table 12** determine if the pier is to be of single-stack blocks (8 inch x16 inch) or double-stack blocks (16 inch x 16 inch) pier.
2. Locate the group of rows in **Table 13** with the soil-bearing capacity determined in **Prepare the Site, STEP 5. DETERMINE SOIL-BEARING CAPACITY AND FROST LINE** (p. 15). Use the next lowest value if the exact value does not appear.
3. Read across the table to determine the minimum required footing area and the minimum footing thickness for the corresponding footing type (single or double-stacked blocks).
4. The required footing size may be changed by selecting another spacing



TABLE 12. PIER CONFIGURATION

Pier location	Height	Configuration	Maximum load
Frame	Less than 36 in (except corner piers more than 3 blocks high)	Single-stack blocks with long side perpendicular to I-beam	8,000 lbs.
	Between 36 in and 67 in and corner piers over 3 blocks high	Double, interlocked blocks	16,000 lbs.
	Over 67 in	Must be designed by PE	16,000 lbs.
Perimeter	54 in or less	Single-stack blocks with long side parallel to perimeter rail (rim joist)	8,000 lbs.
Marriage	54 in or less	Single-stack blocks with long side	8,000 lbs.

Cavco Installation Manual

Install Footings

TABLE 13. FOOTING DIMENSIONS (FROM 3285.212)

Soil Bearing Capacity	Minimum Footing Size inches)	8 in. x 16 in. pier (single-stack blocks)		16 in. x 16 in. pier (double-stack blocks)	
		Unreinforced cast-in-place min. thickness (in.)	Maximum footing capacity (lbs)	Unreinforced cast-in-place min. thickness (in.)	Maximum footing capacity (lbs)
1000	16 X 16	6	1,600	6	1,600
	20 X 20	6	2,600	6	2,600
	24 X 24	6	3,700	6	3,700
	30 X 30	8	5,600	6	5,800
	36 X 36	10	7,900	8	8,100
	42 X 42	10	10,700	10	10,700
	48 X 48	12	13,100	10	13,600
1500	16 X 16	6	2,500	6	2,500
	20 X 20	6	4,000	6	4,000
	24 X 24	8	5,600	6	5,700
	30 X 30	10	8,500	8	8,900
	36 X 36	10	12,400	8	12,600
	42 X 42	12	16,500	10	16,800
	48 X 48	14	21,200	12	21,600
2000	16 X 16	6	3,400	6	3,400
	20 X 20	6	5,300	6	5,300
	24 X 24	8	7,600	8	7,700
	30 X 30	10	11,700	8	11,900
	36 X 36	15	16,700	10	16,900
	42 X 42	18	21,700	12	22,700
2500	16 X 16	6	4,300	6	4,300
	20 X 20	6	6,700	6	6,700
	24 X 24	8	9,600	6	9,700
	30 X 30	10	14,800	8	15,000
	36 X 36	12	20,700	10	21,400
3000	16 X 16	6	5,200	6	5,200
	20 X 20	8	8,100	6	8,100
	24 X 24	10	11,500	6	11,700
	30 X 30	12	17,800	8	18,100
	36 X 36	14	25,400	10	25,900
4000	16 X 16	6	7,000	6	7,000
	20 X 20	8	18,800	6	10,900
	24 X 24	10	15,500	8	15,600
	30 X 30	12	23,300	10	24,200

Table notes:

- The footing sizes are for square pads and are based on the area (in²) shear and bending req'd for the loads shown. Other configurations, such as rectangular or circular configurations, can be used, provided the area and depth is equal to or greater than the area and depth of the square footing shown in the table, and the distance from the edge of the pier to the edge of the footing is not less than the thickness of the footing. (Figure 13).

APPROVED BY



Cavco Industries Inc

SU-27

Cavco Installation Manual

Install Footings

2. The 6 in. cast-in-place values can be used for 4 in. unreinforced precast concrete footings.
3. The capacity values listed have been reduced by the dead load of the concrete footing.
4. Concrete piers must not exceed their design capacity of 8,000 lbs for 8" X 16" single stack block and 16,000 lbs for 16" X 16" double stack block.
5. A registered professional engineer or registered architect must prepare the design, if the design loads exceed the capacity for single or double stack concrete block piers shown in footnote

Design footings to comply with the following additional requirements:

- Design each footing at least slightly larger than the base of the pier it supports.
- To keep footings directly under I-beams and other support points, size them slightly larger than the minimum required area to allow slight adjustment of the pier location during home installation.
- Design footings with a footing extension (projection beyond the base of the pier) no greater than the footing thickness (Figure 13). Increase footing thickness if necessary.
- For Metal Piers on Wood Foundations see Figure 15 through Figure 24

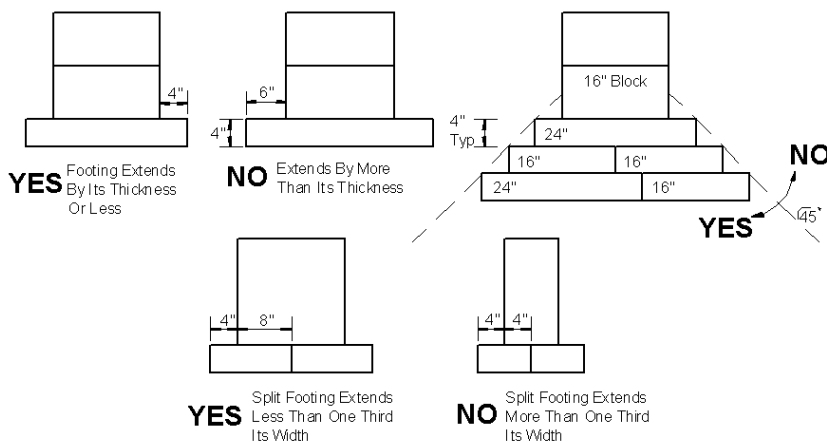


Figure 13. Maximum footing extensions

STEP 6. INSTALL FOOTINGS

Construct the footings as follows:

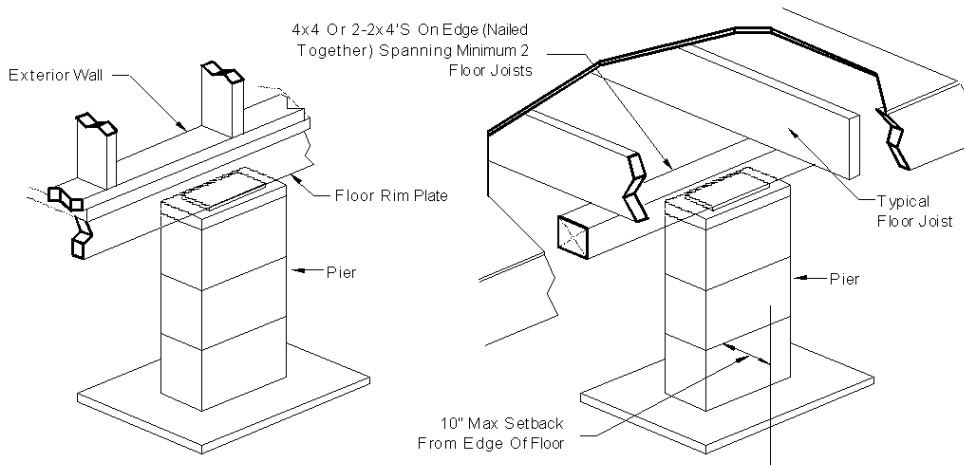
- The distance between adjacent piers may not exceed the maximum distance allowed by the tables.
- Whenever possible, place point load supports directly under the required locations. If plumbing, electrical, mechanical equipment interferes, place supports no more than 6 inches in either direction of the support point.
- Recess perimeter blocking supports and perimeter point load supports no more than 10 inches from the edge of the floor with added support as shown in Figure 14.



Placing Concrete anchors.
If anchors will be placed in concrete, follow instructions in **Install Stabilizing System** (p. 69) to determine anchor layout. Either place anchors immediately after the concrete has been poured or drill them in after the concrete has set.

Install Footings

Figure 14. Perimeter supports



- If footings are rectangular, orient them so that the long side is perpendicular to the home's I-beam.
- Place the bottom of footings on undisturbed soil or fill compacted to at least 90% of its maximum relative density.
- In freezing climates protect footings from the effects of frost heave in accordance with any LAHJ requirements (see **Prepare the Site**, p. 13). Place the bottom of the footings below the frost line (insulated foundations and monolithic slabs are other frost protection options not covered in this manual).
- Make sure the top surface of the footing is level, flat, and smooth.
- In accordance with the American Concrete Institute publication ACI-308, maintain curing measures before construction or installation onto the concrete footing begins, until a minimum of 70% of the specified 28-day compressive strength has been achieved. The ACI recommended time to attain this level of strength is seven days for ASTM C150 Type 1 mixtures and 10 days for Type II mixtures. Full design live and dead loads may not be applied until the 28-day duration has elapsed for achieving full strength.



Excavation. If excavation is required, mark the footing locations on the ground with stakes before beginning to dig.

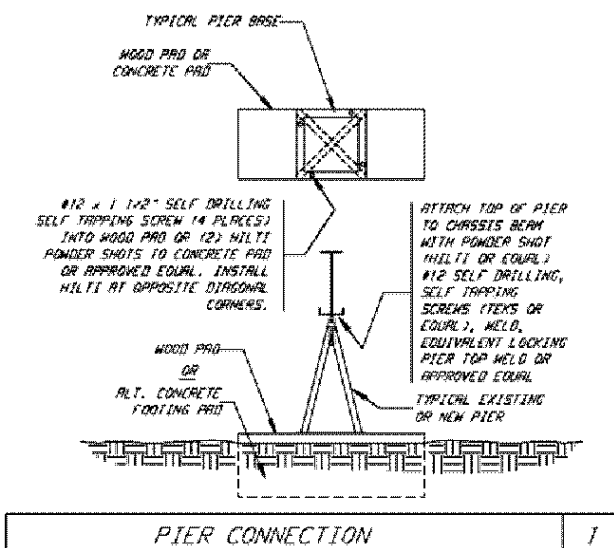


Figure 15. Basic Metal Pier Connection



APPROVED BY



Cavco Industries Inc

SU-29

Install Footings

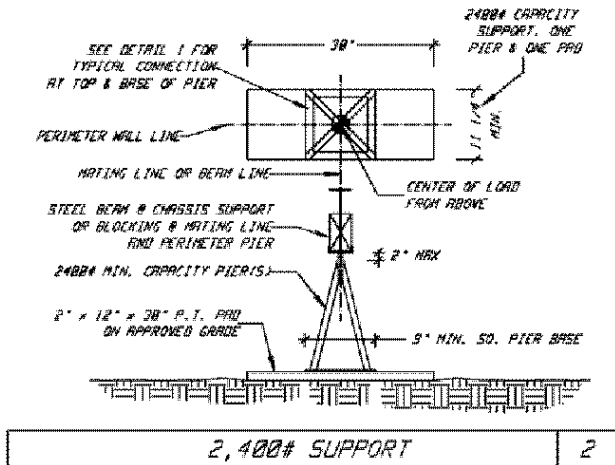


Figure 16. Wood Footing Layout at 2,400 lbs Support

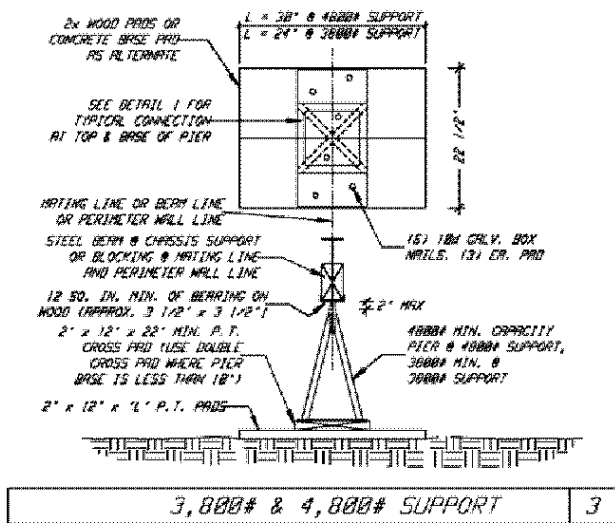


Figure 17. Wood Footing Layout at 3,800 and 4,800 lbs Support

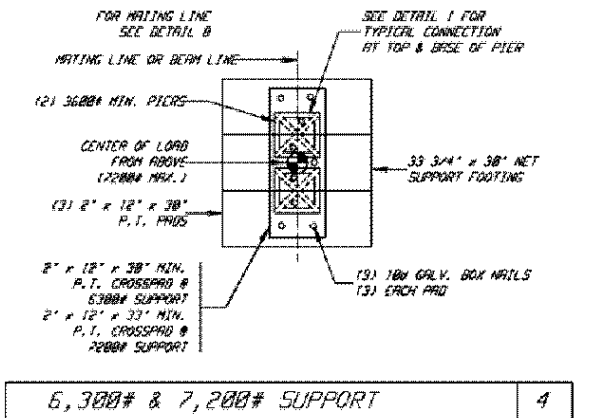


Figure 18. Wood Footing Layout at 6,300 and 7,200 lbs Support

Cavco Installation Manual

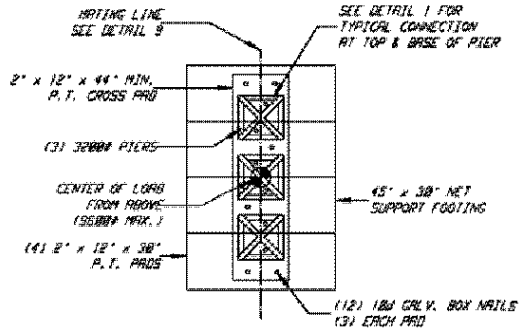


APPROVED BY



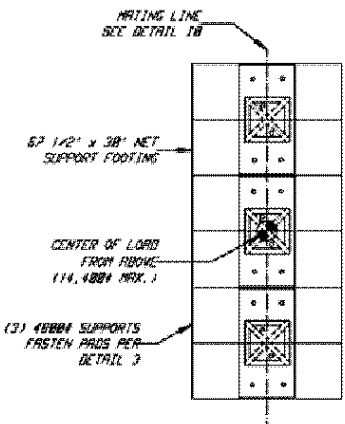
Cavco Industries Inc

Install Footings



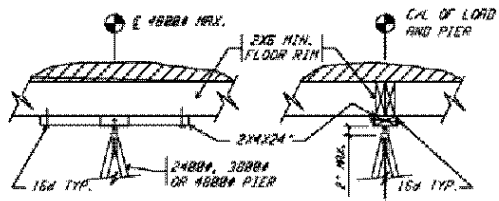
9,600# SUPPORT AT M.L. 5

Figure 19. Wood Footing Layout at 9,600 lbs Support At Mateline



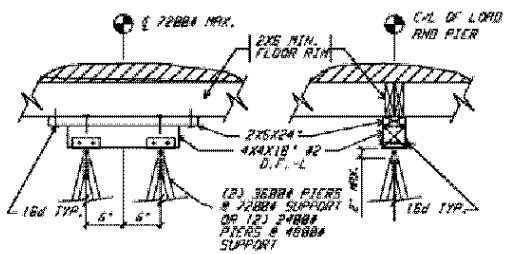
14,400# SUPPORT AT M.L. 6

Figure 20. Wood Footing Layout at 14,400 lbs Support At Mateline



2,400#, 3,800# OR 4,800# SUPPORT AT M.L. 7

Figure 21. Metal Pier Configuration at 2,400, 3,800 or 4,800 lbs Mateline Pier Support



4,800# OR 7,200# SUPPORT AT M.L. 8

Figure 22. Metal Pier Configuration at 4,800 or 7,200 lbs Mateline Pier Support



Install Footings

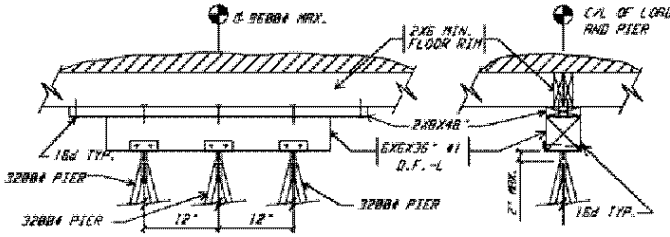


Figure 23. Metal Pier Configuration at 9,600 lbs Main-line Pier Support

9,600# SUPPORT AT M.L.	9
------------------------	---

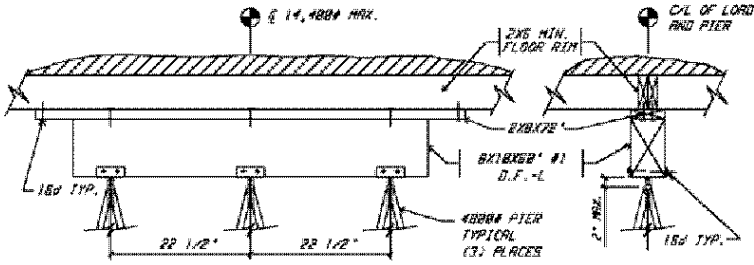


Figure 24. Metal Pier Configuration at 14,400 lbs Main-line Pier Support

14,400# SUPPORT AT M.L.	10
-------------------------	----

▶ go to **Set the Home** (p. 35)

Cavco Installation Manual



APPROVED BY



Cavco Industries Inc

Construct Foundation

(FOR HOMES WITH LOAD-BEARING PERIMETER WALL)

This chapter provides guidelines and recommendations for the design and construction of a basement or crawlspace foundation using a load-bearing perimeter wall. A load-bearing perimeter wall foundation system uses a wall along the outer edge of the home to support the home's outside walls. This perimeter support works with interior supports such as piers, columns, and cross beams that support the home's frame and, if multi-section, marriage line.

Follow the Steps below:

- ▼ **STEP 1. SEE THE CAVCO ADDENDUM FOR GENERIC PERMANENT FOUNDATION DESIGN OR OBTAIN A FOUNDATION DESIGN** (p. 33)
- ▼ **STEP 2. EXCAVATE** (p. 33)
- ▼ **STEP 3. CONSTRUCT THE FOOTING OR SLAB** (p. 33)
- ▼ **STEP 4. CONSTRUCT THE PERIMETER WALL** (p. 33)
- ▼ **STEP 5. INSTALL INTERIOR SUPPORTS** (p. 34)
- ▼ **STEP 6. WATERPROOF FOUNDATION WALL** (p. 34)

STEP 1. OBTAIN A FOUNDATION DESIGN

If the generic permanent foundation design provided in the **Cavco Addendum** is not used, it is the responsibility of the retailer and/or home owner to provide a design approved by an engineer or architect, licensed in the state where the home will be installed. The approved design must comply with the LAHJ regulations for foundation design, waterproofing, and drainage, and the following:

- The foundation perimeter bearing wall must be supported with a concrete slab or continuous strip footing around the perimeter of the home. Interior piers must be supported by a slab or footings. If footings are used under interior piers, they may be designed as in **Prepare Footings**, p. 18.
- Slabs must extend to the edges of the home.
- Footings and slabs must be protected from the effects of frost heave by extending the footings to or below the frost line or by using a frost protected shallow foundation design.

STEP 2. EXCAVATE

Excavate for the foundation, properly disposing of the earth that is not needed for backfill or site-grading purposes.

STEP 3. CONSTRUCT THE FOOTINGS OR SLAB

Construct the foundation according to the approved design, including the perimeter foundation wall, drainage system, footing(s), and/or slab.

STEP 4. CONSTRUCT THE PERIMETER WALL

Unless the approved design requires otherwise, construct the perimeter wall with mortared and reinforced concrete blocks. Install reinforcement according to the approved design or LAHJ. Install ventilation and access openings according to the approved design, or if not specified, according to the requirements in **Complete Under the Home**, **STEP 3 INSTALL SKIRTING** (p. 104).

When constructing pockets for an H-beam system (provided by others), measure the beam depth and locate the pockets carefully. It is critical that when the home's frame



Using engineered designs.

This section is NOT intended to provide a complete design for a buildable foundation. A complete design must be obtained that is suitable for the local area and sealed by a professional engineer or registered architect, licensed in the state. See **Section 7 of the Cavco Addendum** for a generic, engineered foundation design.

Foundation ready home.

Make sure that homes to be installed on a basement or a crawlspace have been ordered with a recessed frame or as foundation-ready, where the frame is designed to avoid interference with the foundation wall.

Checking the water table.

For basements, check for a high water table. The water table may vary seasonally or based on weather conditions. A geologist can per-

APPROVED BY

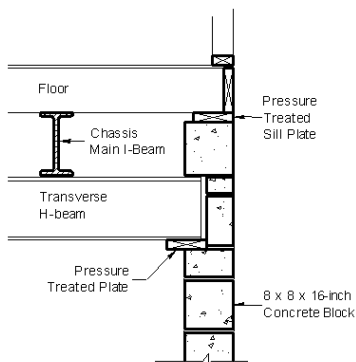


Cavco Industries Inc

Construct Foundation

rests on top of the H-beam, the perimeter of the floor rests squarely on the foundation wall sill plate (**Figure 25**). Leave room for a two-inch nominal, pressure treated wood spacer on top of the wall pockets (to prevent corrosion, the steel beams must not be in direct contact with concrete). Leave at least one inch for thermal expansion at the ends of the beams and maintain a minimum of two inches of bearing area for the beams in the pockets (yielding a minimum pocket depth of three inches).

Bolt a pressure treated wood sill plate (minimum 2 x 6) to the top of the foundation wall. Connect the home to the foundation according to the approved design. Recess nuts into the sill plate and cut off the ends of bolts so they do not project above the sill plate and interfere with the placement of the home.



form an algae test to determine the water table level. The foundation design must account for a high water table.

Level the wall. Make sure the foundation is level and straight with no more than a 1/4 inch vertical variation over the entire foundation and no more than 1/8 inch vertical variation over any two-foot length.

Check for Plates. When using an H-beam system, check and compensate for reinforcement plates that add thickness to the chassis beam at axle locations.

Figure 25. H-beam installation



Limits of excavation. When a crane will be used, excavate no more than two feet outside the foundation perimeter. Unexcavated ground will provide a more stable base for the crane.

Footing heights. Pour footings to a height that will reduce the need to cut blocks or shim when building perimeter walls and piers.



Backfilling. Backfill against basement walls only after the home is connected to the foundation or the basement walls may deflect inward or collapse.

STEP 5. INSTALL INTERIOR SUPPORTS

Install piers, columns and H-beams to support the interior of the home according to the approved design.

STEP 6. DAMP PROOF FOUNDATION WALL

Damp proof the foundation wall no less than up to the height of the planned backfill.

STEP 7. BACKFILL AND GRADE

Backfill against the foundation wall to the height of the damp proofing. Take care to not damage the drainage system. Grade the fill as per **Prepare the Site** (p. 13).

Does the approved foundation design call for ground anchors?

- ▶ YES, go to **Install Stabilizing Systems**, (p. 69)
- ▶ NO, go to **Set the Home**, (p. 35)

APPROVED BY



Cavco Industries Inc

Set the Home

This chapter describes the process of installing the first section of the home (for single section homes this is the only section) onto the foundation.

Follow the Steps below:

- ▼ STEP 1. PREPARE FOR SET (p. 35)
- ▼ STEP 2. POSITION HOME SECTION (p. 35)
- ▼ STEP 3. LIFT HOME (p. 35)

STEP 1. PREPARE FOR SET

Before beginning the home set, complete the following:

- Confirm that the site is properly cleared and graded (see **Prepare the Site**, p. 13).
- Ensure that the footings are in place and properly located.
- Install any utilities that will be difficult to install (e.g. those below grade beneath the home) after the home is in place.
- Secure or remove from the home and properly store all ship loose items (refer to shipping documents for items shipped with the home).
- Inspect the home interior, exterior and all provided materials, appliances, and equipment. Immediately report any damage or shortages to the manufacturer.
- The ground moisture retarder may be installed now or after the home is complete. See **Complete Exterior Work, STEP 2. INSTALL GROUND MOISTURE RETARDER** (p. 103) for requirement and then return here.

For perimeter bearing wall foundations:

- Check that the length and width of the home match with the foundation walls.
- Check that the two main diagonal measurements of the foundation are equal.
- Check that the foundation walls and other support points are within 1/4 inch of level overall and within 1/8 inch of level within any four foot distance.
- For multi-section homes, check that each pair of diagonal measurements for each portion of the foundation corresponding to a home section are equal.
- For multi-section homes, find the electrical bonding lugs on the front or rear outriggers. Reverse them to the inside of the outrigger using star washers so they will be accessible after the home is placed on the foundation walls.
- If using an H-beam system, remove the frame's shackle hanger if it will interfere with proper placement of the beam.

STEP 2. POSITION HOME SECTION

Position the home section in its final location (if possible, move the heaviest section of the home into place first). Then place materials needed to construct support piers near their final locations under the home as determined in **Prepare Footings**, (p. 18).

STEP 3. LIFT HOME

There are three primary methods available to place the home on the foundation: jacking, rolling and craning. Jacks, often with roller systems, are typically used for pier and anchor foundations; roller systems are commonly used for crawlspace foundations with load-bearing perimeter walls; and cranes are most commonly used for basement foundations.



Clearances under the home. After the home is leveled, the resulting distance between the bottom of the entire chassis main frame beam and the ground must be no less than 12 inches.

Utilize proper cribbing. Manufactured homes weigh several tons. No one should be under the home (whether it is moving or stationary) unless proper cribbing is in place (**Figure 26**). Failure to utilize proper cribbing may result in serious injury or death.



Leveling during jacking. Keep the home's floor as level as possible during jacking. Twisting or warping the floor can damage the structure and finishing. Use as many jacks as necessary to keep the floor flat and level.

APPROVED BY



Cavco Industries Inc

SU-35

35

Set the Home

JACKS

If jacks are to be used, comply with all jacking safety precautions and the procedure below. Lifting the home with jacks involves potential risks and must be done with utmost care and caution. Failure to follow jacking warnings and procedures may result in serious injury or death. Please read the Jacking Safety Precautions before lifting the home with jacks.

JACKING SAFETY PRECAUTIONS

- No one should be under the home's I-beams while the jacks are being operated or while the home is supported only on the jacks.
- Use jacks only for raising the home. Do not rely on the jacks to support the home.
- If possible, raise the home only on one side so that the other side is in contact with the ground. Leave the hitch connected to the vehicle or other stabilizing equipment.
- Obey all OSHA regulations.
- Make sure adequate safety cribbing (**Figure 26**) is in place whenever the home is placed on jacks.
- Use a minimum of two commercial quality jacks, each with a rating of at least 12 tons.
- Jack only on the main chassis I-beam, centering jacks directly under the beam.
- Do not jack on a seam (joint between flanges of twin I-beams).
- To distribute the concentrated loads from jacks to I-beam, place a minimum 3/8-inch thick steel plate, a C-channel, a 1½-inch thick hardwood block or a commercial jacking plate, between the main chassis I-beam and the jack head.
- Locate the jack base on firm ground. Never jack on freshly disturbed soil or where an underground sewer pipe may be located.
- Use a firm support under the jack base to prevent tipping or settling of the jack. A minimum 16" x 16" or larger wood or rigid fiberglass pad is recommended. Never use concrete blocks as a support for a jack.

Follow the jacking sequence outlined below to avoid overstressing structural members:

1. **Block wheels.** Block the wheels so the house does not roll.
2. **Install cribbing.** Install safety cribbing (**Figure 26**).

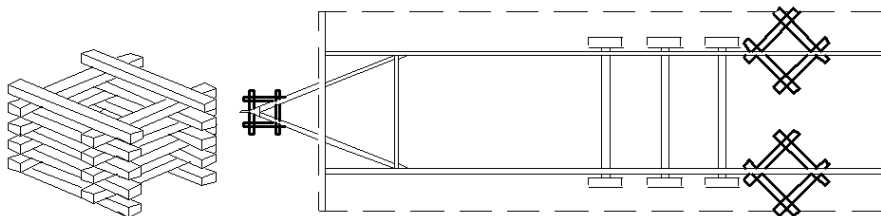


Figure 26. Stack 4" x 6" by 5' long timbers as shown to form safety timbers. Place safety timbers under home behind axle area and under hitch.

3. **Level lengthwise.** Locate one jack at the hitch and level the section lengthwise (such that the front and rear of the section are at the same height).
4. **Locate frame jacks.** Place a minimum of one jack just forward of the first spring hanger and another just behind the last spring hanger of the I-beam on the side of the home that is lowest (making sure not to place jacks where the piers will go). Place jacks no more than 20 feet apart and no more than 20 feet from each end of the I-beam.
5. **Lift the home.** Operating the jacks simultaneously (or sequentially in very small increments), lift the home section until it is slightly higher than the final desired pier height.

APPROVED BY



Cavco Industries Inc

ROLLER SYSTEMS

When using a roller system, comply with the equipment manufacturer’s directions and the following sequence:

1. **Establish staging area.** Establish a staging area directly adjacent to one or both sides of the foundation.
2. **Setup rollers.** Set up the roller system according to the equipment manufacturer’s directions.
3. **Fasten bump blocks.** Temporarily fasten wooden bump blocks on the sill plates at the ends of the foundation to stop the home from rolling at the desired location.
4. **Roll home.** Roll the home into place over the foundation.
5. **Remove bump blocks.** Remove the blocks before installing the next section of a multi-section home.

CRANES

When using a crane, follow these guidelines:

- Position the home section(s) and crane (taking the boom reach into consideration) such that they do not have to be repositioned during the set.
- Use enough properly sized straps to maintain balance of the home and to prevent damage to the structure.
- Place straps under walls or posts, including temporary posts used to support the opening. Do not position lifting straps under marriage wall openings.
- Use a properly sized spreader bar to maintain a vertical lift, to avoid placing compression forces on the eaves and to reduce any tendency to slip.
- Connect a rope to at least one point on the home so it can be controlled while aloft.
- Make provisions to retrieve the straps/cables after the home is set. If using a cradle system, notch the sill plate where the straps will fall. For a sling system, notch and reinforce the home’s rim joist to keep the strap from slipping and allow the strap to be removed after the home is set.
- Always set the home section farthest from the crane first so that subsequent section(s) need not be lifted over previously set sections.

Have the interior foundation supports already been installed as part of an approved load-bearing perimeter wall foundation?

- ▶ **YES, go to Complete Multi-Section Set, (p. 41) or go to Connect Utilities, (p. 84) for single section homes**
- ▶ **NO, go to STEP 4. INSTALL PIERS, (p. 37)**

STEP 4. CONSTRUCT PIERS

For the side of the home section that is up on jacks, place piers on footings or pads following the home manufacturer’s blocking plan (or tags). If no plan was provided, use the support plan developed in **Install Footings** (p. 18). Start at one end of the home section and work toward the other noting the required pier material specifications and procedure described below.

Construct piers so as to provide a stable foundation for the home using materials listed in the specifications box below and based on the location of the pier and its height as measured from the top of the footing or pad to the top of the cap. See **Table 15** for pier construction requirements.



Designing piers. Incorrect size, location or spacing of piers may result in serious structural damage to the home. Install piers at all required locations. Failure to do so may lead to sagging floors, walls, and roofs, and could void the home’s warranty.

Cavco Installation Manual

APPROVED BY



Cavco Industries Inc

Set the Home

TABLE 14. PIER MATERIAL MINIMUM SPECIFICATIONS

Component	Specification
Concrete Block	Nominal dimensions of at least 8" x 8" x 16"; minimum load 8,000 lbs; conforming to ASTM designation C90, grade N.
Caps	Solid masonry (nominal 4" x 8" x 16" pre-cast concrete without reinforcement); pressure treated lumber (nominal 2" x 8" x 16"); or steel (minimum 1/2" thick, corrosion protected by a min. of a 10 mil coating of an exterior paint or equivalent).
Spacers	Nominal 2" thick boards.
Shims (also called wedges)	Hardwood, minimum 4" width by minimum 6" length by maximum 1" thick (nominal); plastic must be listed with maximum load capacity, used in pairs.
Commercial metal or pre-cast concrete piers	Available in various sizes stamped with maximum load capacity and listed or labeled for the required vertical load capacity, and where required by design, for the appropriate horizontal load capacity. Metal or other manufactured piers must be provided with protection against weather deterioration and corrosion at least equivalent to that provided by a coating of zinc on steel of .30 oz per sq. ft of surface coated.
Pressure treated wood	With a water-borne preservative, in accordance with AWPA Standard U1-04 for Use Category 4B ground contact applications.

TABLE 15. PIER CONSTRUCTION

Pier location	Height	Configuration	Maximum offset top to bottom	Maximum load	Mortar and reinforcement
Frame	Less than 36 in. (except corner piers more than 3 blocks high)	Single-stack blocks with long side perpendicular to I-beam	1/2"	8,000 lbs.	Not required
	Between 36 in. and 67 in. and corner piers over 3 blocks high	Double, interlocked blocks	1" (1/2" up to 36" high)	16,000 lbs.	Not required
	Over 67 in.	Designed by a registered engineer or registered architect			
Perimeter	54 in. or less*	Single-stack blocks with long side parallel to perimeter rail (rim joist)	1/2" up to 36" high, 1" over 36" high	8,000 lbs.	Not required
Marriage line	54 in. or less*	Single-stack blocks with long side perpendicular to the marriage line	1/2" up to 36" high, 1" over 36" high	8,000 lbs.	Not required

* Construct perimeter and marriage line piers over 54 inches according to the requirements for frame piers of the same height.

- 1. Prepare footing surface.** Make sure the footing surface upon which the pier sits is flat and smooth. Before placing the pier on the footing, clean dirt, rocks, or other material off the surface of the footing. For cast-in-place concrete footings, if the footing surface is uneven, create a level, flat surface by placing a treated board on the footing and mortaring on the first block (or manufactured pier base), or by placing the first block (or manufactured pier base) on a layer of premix dry sand mortar.
- 2. Stack blocks.** Stack concrete blocks with their hollow cells aligned vertically. When piers are constructed of blocks stacked side-by-side, orient each layer at right angles to the previous one (**Figure 27**) and plan blocks so that split caps will be perpendicular to the blocks they rest on and to the I-beam.

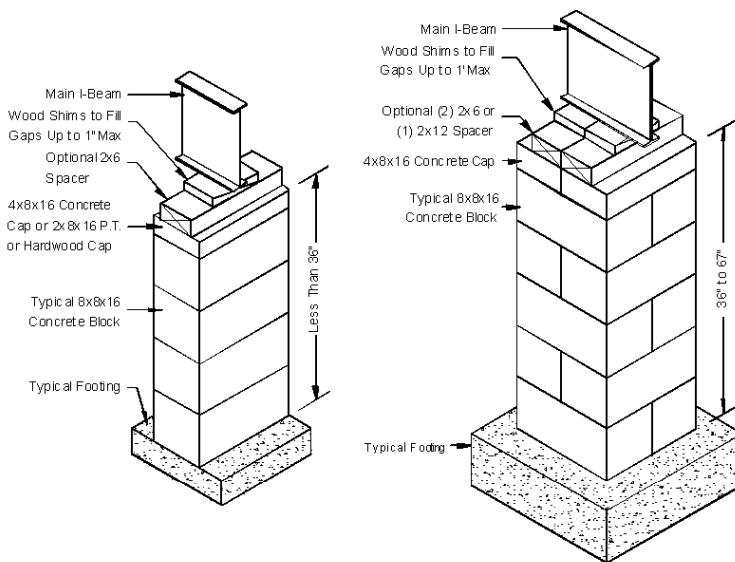
APPROVED BY



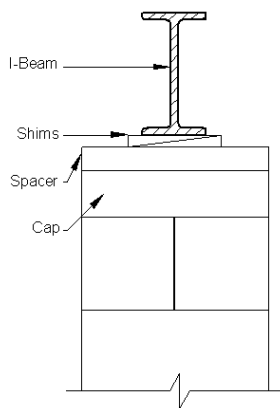
Cavco Industries Inc

Set the Home

Figure 27. Frame pier construction



- 3. Cap piers.** Place a cap on hollow block piers to evenly distribute the structural load. Use caps the same length and width as the piers they rest upon. When using split caps on double-stacked block piers, install the caps with the long dimension perpendicular to the joint in the blocks below and to the main I-beam.
- 4. Install shims.** Use shims to level the home and fill any gaps between the base of the I-beam and the top of the pier cap. Always use shims in pairs (Figure 28). Drive them in tightly so they do not occupy more than one inch of vertical space. When the space to be shimmed is greater than one inch and less than the minimum thickness of available caps or concrete blocks, use hardwood dimensional lumber (two inches maximum thickness) or 2" or 4" thick concrete block. For split caps, install shims and dimensional lumber/blocks over each individual cap.



- 5. Set up level.** Set up a water level with the fluid level at the desired height of the main piers. Carefully lower the side of the section down onto the leveled piers, adjusting the final height with shims.



Curing time of mortar.

Where wet mortar is used to construct or level piers, allow it to cure to at least 80% of strength capacity (usually requiring 96 hours) before setting the home.

Figure 28. Correct shim placement



Dimensions of masonry perimeter walls. If using a masonry perimeter enclosure, calculate pier heights so that the enclosure can be built using standard unit dimensions (without cutting).

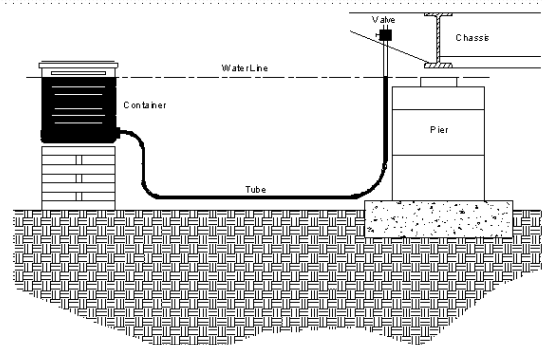
Cavco Information Manual

Set the Home

USING A WATER LEVEL

A water level is a standard device for leveling the home. The level consists of the following components:

- One container (five gallon bucket or one gallon jug).
- 150 feet of 1/2 inch diameter plastic tubing.
- Fittings for container to tubing.
- Valve for terminal end of tubing.
- Liquid for system: colored water in warm climates, windshield washing fluid in cold climates.



How to use a water level

- Position level.** Position the level such that it can reach all piers.
 - Place container.** Place the container so that the fluid in the container is at the same level as the desired level of the top of the supports under the home, allowing for any bracing below the level of the I-beams.
 - Uncoil tubing.** Uncoil the tubing and fill with fluid, taking care not to introduce bubbles into the hose. Never allow anything to crimp or crush the tubing so as to impede the free flow of fluid.
 - Bleed air.** Hold the valve below the level of the water container; open the valve to bleed out any air and close the valve.
 - Establish height.** Locate the tubing adjacent to a pier that is set to the desired final height. Position the valve above the pier and open the valve. Move the water container up or down to where the water level is at the desired final height of the pier. Maintain the water container in that position and close the valve.
 - Level piers.** Move the tubing to the next pier. Hold the valve above the pier and open it. Set the pier height to the level of the water in the tubing and close the valve. Repeat this step until all piers are at the same level.
- Complete the opposite side.** Jack the other side of the section up and install piers following the instructions above. At the completion of this step, the section should be level from front to rear and from side to side.
 - Install perimeter and marriage line piers.** Install perimeter piers and for multi-section homes, marriage line piers. Position marriage line piers to provide equal bearing for both mating sections.
 - Remove running gear.** Remove and store, recycle or properly dispose of the hitch, axles, and wheels. These items are the property of the homeowner unless other contractual arrangements have been made.



Level the home. The home is adequately leveled if there is no more than 1/4 inch difference between adjacent pier supports (frame or perimeter) and the exterior doors and windows of the home do not bind and can be properly operated.

Water level operation. To operate the water level properly, both ends of the system must be open to the atmosphere and there must be approximately the same amount of fluid in the tubing at all times (within a few inches).

Is this a single-section home?

- ▶ **YES, go to Connect Utilities, (p. 84)**
- ▶ **NO, go to Complete Multi-Section Set, (p. 41)**

APPROVED BY



Oct 10, 2008

Cavco Industries Inc

Complete Multi-Section Set

This chapter covers the preparation and installation of additional home sections, including the structural connections between units, raising and fastening hinged roofs, and fastening the home to a load-bearing perimeter wall foundation.

Follow the Steps below:

- ▼ STEP 1. INSTALL MARRIAGE LINE ANCHORS (p. 41)
- ▼ STEP 2. REMOVE PROTECTIVE SHIPPING MATERIALS (p. 41)
- ▼ STEP 3. COMPLETE HINGED ROOF (p. 41)
- ▼ STEP 4. REPAIR OR INSTALL MARRIAGE LINE GASKET (p. 41)
- ▼ STEP 5. POSITION ADDITIONAL HOME SECTIONS (p. 43)
- ▼ STEP 6. CONNECT FLOORS (p. 44)
- ▼ STEP 7. CONNECT ROOF (p. 46)
- ▼ STEP 8. CONNECT WALLS (p. 48)
- ▼ STEP 9. ATTACH TAG UNITS (p. 50)
- ▼ STEP 10. REMOVE TEMPORARY ITEMS (p. 51)
- ▼ STEP 11. FASTEN HOME TO FOUNDATION (p. 51)
- ▼ STEP 12. BACKFILL AND GRADE (p. 51)
- ▼ STEP 13. BUILD STAIRS (p. 51)

STEP 1. INSTALL MARRIAGE LINE ANCHORS

If the home is in Wind Zone II or III, install ground anchors along the marriage line now, before mating sections are joined see **Install Stabilizing System** (p. 69). After installing marriage line anchors return to this point in **Complete Multi-Section Set**.

STEP 2. REMOVE PROTECTIVE SHIPPING MATERIALS

Remove all shipping protection and associated fasteners from both home sections to be joined, including plastic used to close up the open sides during transportation. Do not remove the temporary supports holding up the ceilings at major openings.

STEP 3. COMPLETE HINGED ROOF

If the home has a hinged roof that has been folded down for shipping, raise the roof using a crane or roof jacks following the procedure below:

1. **Position lift points.** Position the roof lift points (jacks or crane lift points) following the jack manufacturer or crane operator instructions. Space roof lift points equally along the length of the roof with no more than five feet from the end of the roof to the first or last lift points. Use three lift points for a roof up to 48 feet long (excluding overhangs), four lift points for up to 60 feet, and five lift points for up to 72 feet.
2. **Remove fasteners.** Remove any temporary fasteners connecting the hinged portion of the roof to the vertical king posts.
3. **Lift roof.** Raise the roof to its intended height. A temporary slight overextension may be required during lifting. However, take care not to overextend the



Position roof jacks. Position jacks vertically to prevent the jack foot from kicking out or sliding.

Caution during roof raising. Do not enter the roof cavity during the raising procedure.

Checklists for alternate construction. If the serial number (see the data plate or the chassis front cross member) has the letters "AC" before or after it, then the Alternate Construction on-site check list supplied with the home must be completed and returned to the home manufacturer in a timely manner. If the AC checklist relates to the roof,

APPROVED BY



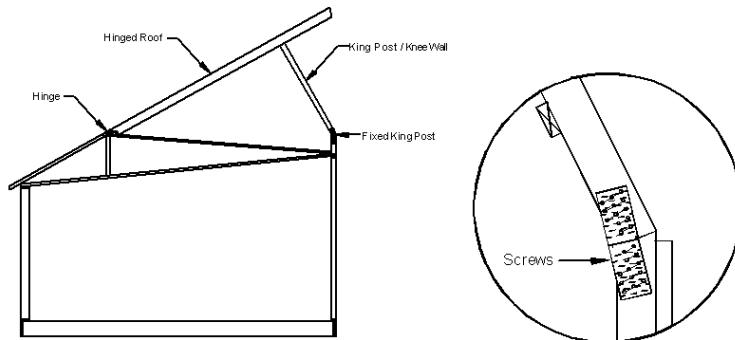
Cavco Industries Inc

SU-41

Complete Multi-Section Set

roof and damage the hinge. Raise the roof evenly in small increments, keeping it level throughout the entire process to prevent racking. Do not allow roofing paper and shingles to get caught in the hinge crease.

4. **Secure king posts.** Position the hinged king posts (may be a knee wall) atop the fixed king posts or against the wooden stop (**Figure 29**). The king posts are either hinged to the underside of the hinged-truss top chord or shipped loose as a knee wall stored in the roof cavity. Position them as needed to level the roof, aligning each king post with the king post directly beneath it, and securing it in place using a #8x3" screw or 8d common nail toed. Strap each hinged king post to fixed king post with 1-30ga x 1-1/4" strap fastened with 8-7/16"x16ga nails on each end of strap (minimum 1" penetration) (**Figure 29** and **Figure 30**).



then failure to do so may require future disassembly of the roof and further inspections.

Figure 29. Hinged roof truss (drawing is typical, actual truss configuration may vary)

Figure 30. Hinged king post to fixed king post fastening (drawing is typical, actual truss configuration may vary)

5. **Install Bracing. (optional)** Install diagonal bracing at both ends of each home section from the top of the gable end truss approximately 45 degrees downward. Keep trusses plumb and secure the brace with two (2) 7/16" x 1-3/4" x 16 ga minimum staples per truss (**Figure 31**).

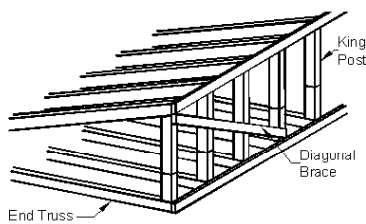


Figure 31. Diagonal bracing

6. **Fasten sheathing.** Fasten sheathing from the upper portion of the roof to the lower fixed portion of the roof just below hinges with two 2-15ga staples or 8d nails at each truss (**Figure 32**) or at six inches o.c. along blocking (if present).

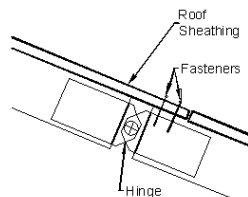


Figure 32. Sheathing at hinge line

7. **Redistribute Insulation.** Before closing up the attic space check that the insulation has not shifted. Re-level the insulation if needed.
8. **Install gable walls.** Assembled frame or wall studs and sheathing needed for the site assembly of the gable end walls may be provided. Install the gable end walls for each home section as follows (**Figure 33**):
 - Frame: fasten frames to truss top chord and web with 7/16" x 2-1/2" x 15ga staples or 8d nails at 12" o.c.
 - Studs: Install studs provided at 16 inches o.c. fasten to top and bottom truss members with 2-7/16" x 2" x 16ga staples or 6d nails on each end
 - Sheathing: Install the rating sheathing provided with 6d nails to all framing members at 6" o.c.



APPROVED BY

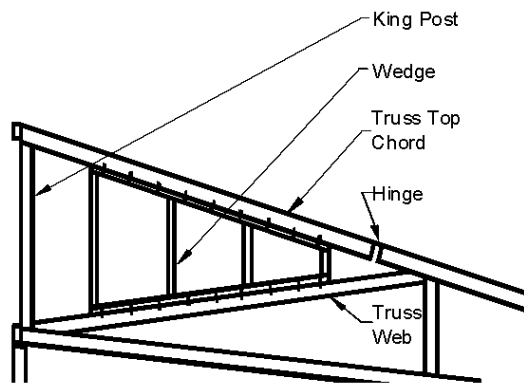
NIA INC.
FEDERAL MANUFACTURED HOME
CONSTRUCTION AND SAFETY STANDARDS

Oct 10, 2008

Cavco Industries Inc

SU-42

Complete Multi-Section Set



9. **Install vents.** Extend plumbing vents, exhaust fans, appliance vents, and fire-place stacks through the hinged portion of the roof in strict accordance with this manual (**Prepare Appliances and Equipment**, p. 93) and/or supplemental instructions provided by the home manufacturer.

STEP 4. REPAIR OR INSTALL MARRIAGE LINE GASKET

A continuous, non-porous gasket creating a permanent air barrier must be installed on at least one side of the marriage line; along the floor, end walls and ceiling (and marriage lines for any tag units). The manufacturer has provided a marriage line gasket either installed on the home or shipped loose. If installed, inspect the gasket and repair any gaps or tears.

If not installed at the factory, install a continuous gasket between the home sections along the floor, end walls, and ceiling.

STEP 5. POSITION ADDITIONAL HOME SECTIONS

Follow this procedure to install additional home sections:

1. **Remove obstructions.** Remove protruding nails and staples or anything else that will keep the home sections from fitting together snugly. If present, cut the temporary ceiling and floor plates at the edges of marriage line openings taking care not to damage ceiling or floor coverings or displace temporary marriage line support posts (these supports and the plates will be removed after the home sections have been structurally connected).
2. **Complete crossovers.** Before moving the two sections together, complete any crossover connections that require access from the open marriage line, including the attic duct connection for overhead ducts (if present) and marriage wall interior electrical connections (see **Connect Crossovers**, p.57).
3. **Position section.** Position the section as closely as possible (ideally within six inches) and line up with the previously set section. If using a mechanical positioning system or crane, follow the system manufacturer's instructions or the crane operator's directions.
4. **Construct piers.** With the outside walls of the home aligned, construct the piers for the home section according to the instructions in **Set the Home** (p. 35) before continuing to the steps below.
5. **Level section.** Lower the section onto the outside piers first, inside piers last. Before releasing the mechanical positioning system, check interior doorways and other openings for misalignments that may cause problems during trim-

Figure 33. End wall completion



Inspecting vents. Fuel fired heating appliance and fire-place vents that pass through a hinged roof must be completed and inspected at the site prior to energizing the appliance or occupying the home. Failure to comply with this precaution may result in serious injury or death. Venting systems must be installed in conformance with the appliance manufacturer's instructions and any instructions supplied with the home.



Mechanical positioning system. For a pier-set home, a mechanical positioning system (such as a roller system) will make the process easier and safer and be less likely to damage the home.

CROSS SECTION

Complete Multi-Section Set

have little, if any, gap at the top of the marriage line. Use at least two come-alongs to pull the sections snugly together and use the water level or other leveling device to set all piers and shims.

6. **Shim gaps.** Shim any gaps up to one inch between structural elements with dimensional lumber. If any gaps exceed one inch, re-position the home to eliminate such gaps.

STEP 6. CONNECT FLOORS

Make floor structural connections according to one of the methods described below.

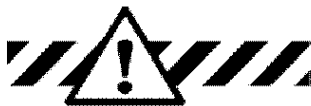
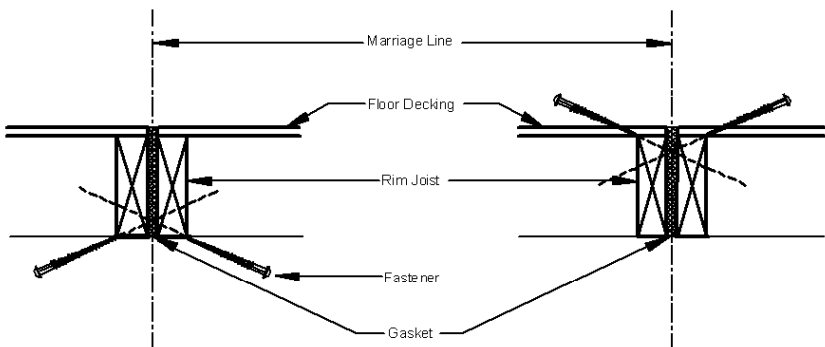
Install fasteners through bottom board or floor decking

Fasteners may be installed horizontally or at less than a 12 degree angle from horizontal as shown in **Figure 34** and **Figure 35** using the fastener type, size, and spacing indicated on **Table 16**. After installation of fasteners, repair tears or holes in the bottom board using tape specially made for that purpose.

TABLE 16. FLOOR CONNECTION FASTENING SPECIFICATIONS

Fastener		Spacing		
Type	Size	Wind Zone I	Wind Zone II	Wind Zone III
Lag screw with washer	3/8" x 4-1/2"	96 in. (#3)	See Cavco Addendum	

1. Fasteners must achieve full penetration through rim joists. Increase the fastener length to account for any gaps or double rim joists
2. Pre-drill a 1 1/64" pilot hole for the lag screws
3. Effective distance between lags = 48 inches.



Sealing gaps. Prior to completion of the exterior close-up, gaps that do not exceed one inch are permitted between structural elements provided that the gaps are closed before completion of close-up, the home sections are in contact with each other, and the marriage gasket provides a proper seal.

Figure 34. Floor connection through bottom board or floor decking

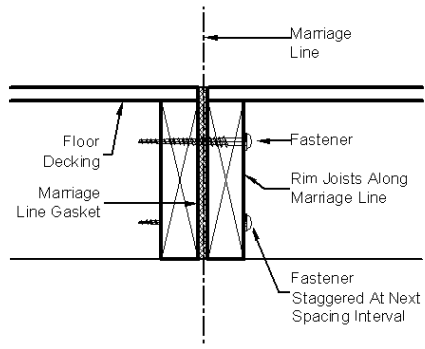


Figure 35. Horizontal fasteners through rim joists

Stagger fasteners on either side of marriage line and offset them by half the spacing distance (**Figure 36**).

Cavco Installation Manual



Cavco Industries Inc

Complete Multi-Section Set

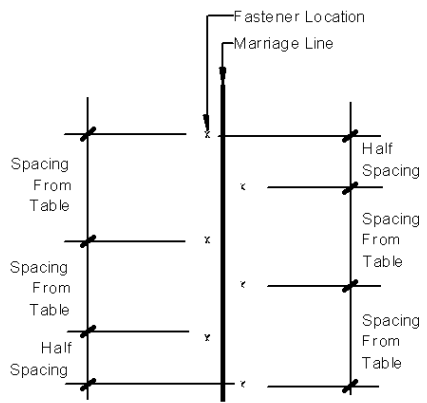


Figure 36. Staggered offset fastening along marriage line

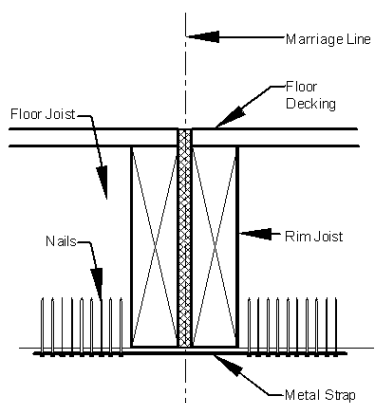
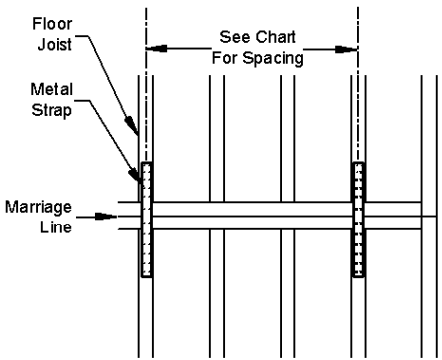
Install additional fasteners as indicated below, making sure to repair any openings in the bottom board with tape specially made for that purpose (may be provided).

- Except where marriage walls exist on both sides of the marriage line, insert 16d nails eight inches o.c. toed from above across the marriage line into opposing rim joist.
- In Wind Zones II and III, metal straps are required to be fastened to the underside of the floor joists similar to **Figure 37**. See the WZ II and WZ III sections of the **Cavco Addendum**. Straps are not required in Wind Zone I.



A+ Patch bottom board. Use adhesive spray, mastic, and/or divergent staples in combination with bottom board tape for a more secure and durable connection.

Figure 37. Metal strapping for Wind Zones II and III



Complete Multi-Section Set

STEP 7. CONNECT ROOF

If the marriage line along the roof is not snug, position jacks every 20 feet or less along the outside I-beam and uniformly lift the section until the roof area is tight.

Check to make sure the ceiling joint is flush before installing the connections. If not, use a jack and tee to raise whichever ceiling is low, starting at the front and working to the rear of the home. Fasten the roof along the marriage line using one of the methods below for either double or triple-section homes.

DOUBLE-SECTION HOMES

Make roof structural connections in double-section homes according to the method described below.

Install toed fasteners through roof sheathing

- Determine the required spacing of the lag screws from **Table 17**.
- Drill a hole through the roof decking to allow for the passage of a lag screw, a washer and a socket (do not remove excessive amounts of roof decking material)
- Pre-drill 11/64" pilot holes for the lags at a 45 degree angle (max) from the horizontal, see **Figure 38**
- Stagger the holes from section to section, see **Figure 36**
- Install the lags into the pre-drilled holes. Make sure fasteners achieve full penetration of the ridge beam/rail on both sides of mating line.

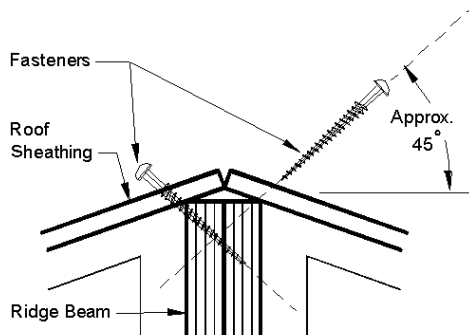


TABLE 17. ROOF CONNECTIONS SPECIFICATIONS

Fastener		Spacing		
Type	Size	Wind Zone I	Wind Zone II	Wind Zone III
20 & 30 psf roof live loads	3/8" x 6"	24 in. (#3)	See Cavco Addendum	
> 30 psf roof live loads	3/8" x 6"	48 in. (#4)	See Cavco Addendum	

1. Fasteners must achieve full penetration through rim joists. Increase the fastener length to account for any gaps
2. Homes with hinged roofs, LVL beams or 2x4 min rails above the ridge beam are individually supported and may use the spacing for 40psf and above
3. Effective distance between lags = 12 in.
4. Effective distance between lags = 24 in.

In Wind Zones II and III a metal cap or straps are required, see the **Cavco Addendum** for details.



Closing the roof gap. Level and fasten the marriage line joint at the floor before jacking to tighten a roof gap. **DO NOT** use roof fasteners to close any gaps. Separation of the ridge beams and trusses may occur.



Figure 38. Toed fasteners through roof sheathing



Installing lags. If lags are used to connect roofs, use appropriately sized washers, countersink the fastener heads and fill the countersink holes with putty or caulk to prevent shingles from sinking into the holes over time.

When to use metal straps. If a ridge vent will be installed, use straps instead of a continuous cap.

Complete Multi-Section Set

MULTI-SECTION (TRIPLES, QUADS) HOMES

For multi-section homes (or where roof lines run parallel to each other on adjacent units (**Figure 40**), install fasteners per the instructions given for double-wides above, (see **Table 17**) regardless of whether the roof sheathing is pre-installed (**Figure 39**) or shipped loose (**Figure 41**).

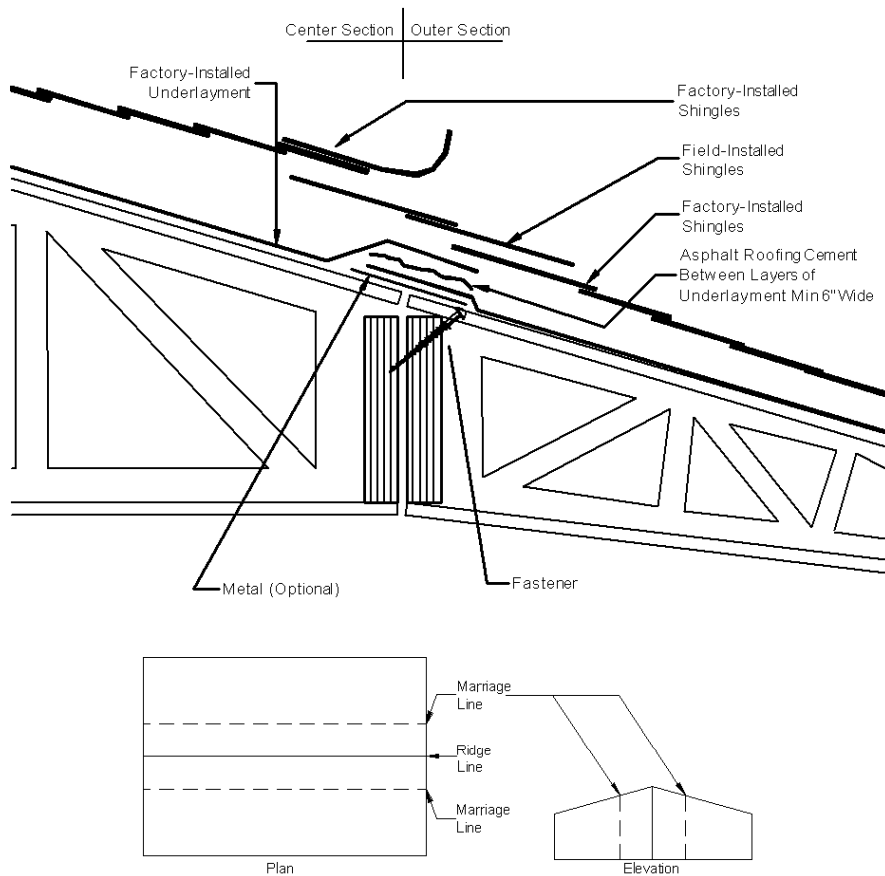


Figure 39. Triple-section roof connection

Figure 40. Triple-section home

Cavco Industries Inc.

APPROVED BY



Cavco Industries Inc

SU-47

Complete Multi-Section Set

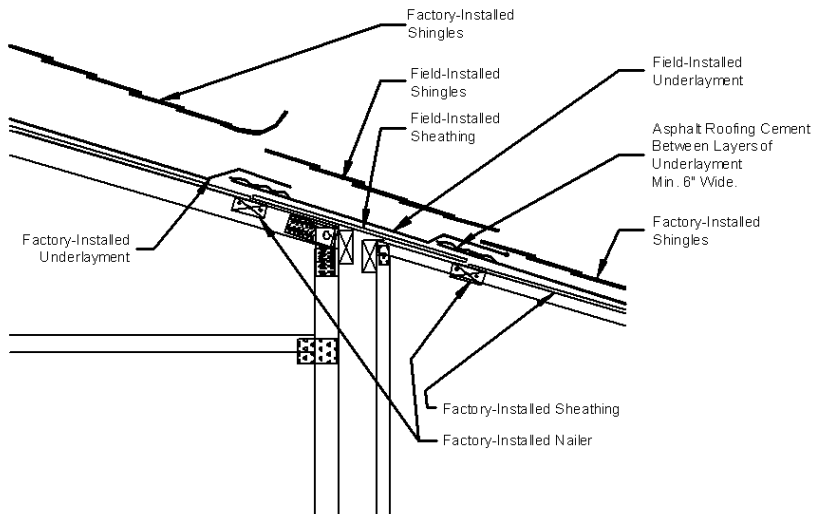


Figure 41. Triple-section roof connection

STEP 8. CONNECT WALLS

Once the home is secured along the marriage line floor and roof, secure end walls, interior doorways, and marriage line partitions according to the appropriate method described below.

END WALLS

Method 1: Install toed fasteners through sheathing

Toe fasteners through sheathing from the exterior at an approximately 45 degree angle (+/- 5 degrees) (Figure 42) according to the fastener specifications and spacing requirements in Table 18.

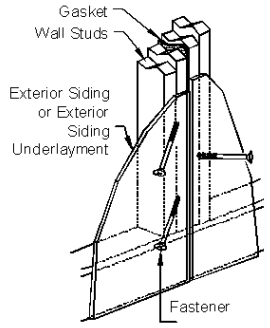
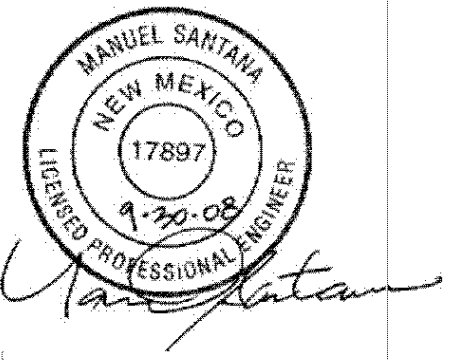


Figure 42. End wall connection toed through sheathing

TABLE 18. END WALL FASTENER SPECIFICATIONS

Fastener type	Size	Spacing
Wood screw	#8 x 3"	8in. o.c.

Cavco Installation Manual



APPROVED BY



Cavco Industries Inc

SU-48

Complete Multi-Section Set

MARRIAGE WALL COLUMNS, OPENINGS AND INTERIOR PARTITIONS

Make connections inside the home along the marriage walls (Figure 43 and Figure 44) by installing fasteners according to the specifications and spacing requirements in Table 19.

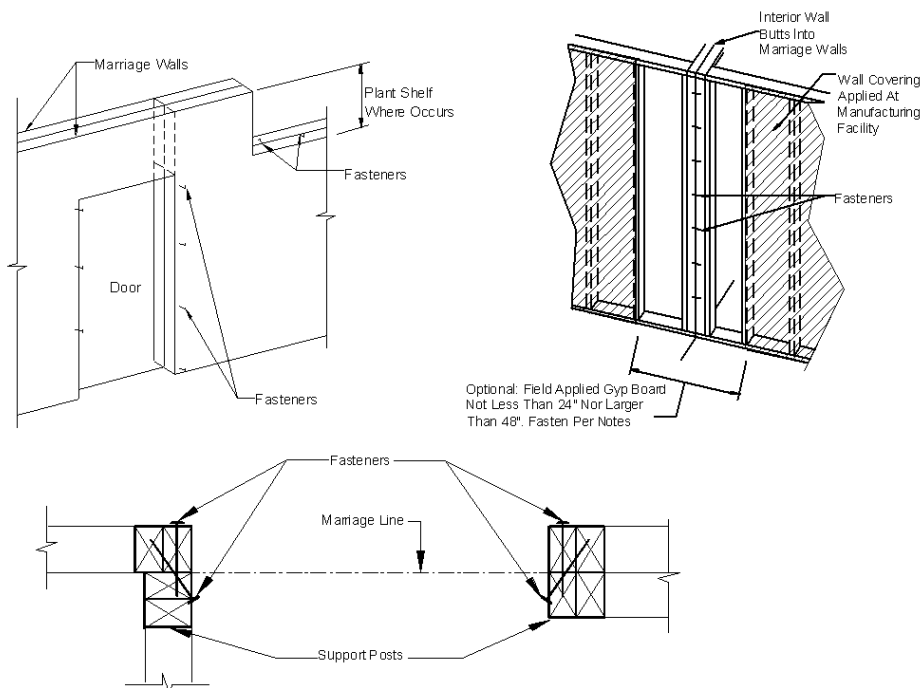


Figure 43. Marriage wall connections

Figure 44. Marriage line column connections

TABLE 19. MARRIAGE WALL CONNECTION SPECIFICATIONS

Fastener type	Size	Spacing
Wood screw	#8 x 4"	16 in. o.c.

Do additional sections (non tag) remain to be positioned?

- ▶ YES, go to **STEP 1. INSTALL MARRIAGE LINE GROUND ANCHORS**, (p. 41)
- ▶ NO, continue below.

Is there a tag unit?

- ▶ YES, go to **STEP 8. ATTACH TAG UNITS** (p. 48)
- ▶ NO, continue below.

Is there a hinged roof?

- ▶ YES, go to **STEP 9. COMPLETE HINGED ROOF**, (p. 50)
- ▶ NO, go to **STEP 8. ATTACH TAG UNITS**, (p. 48)



Cavco Installation Manual

APPROVED BY



Cavco Industries Inc

SU-49

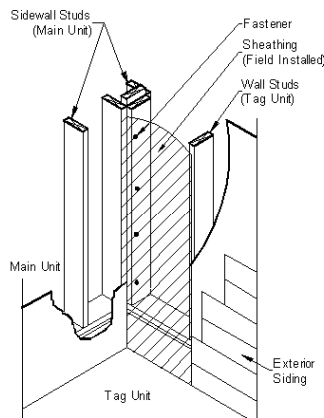
Complete Multi-Section Set

STEP 9. ATTACH TAG UNITS

After the main unit has been set on its foundation, install all tag units according to the following procedure:

1. **Position and block the tag.** Position the tag unit as close to the main unit as possible at its intended location. Use a hitch jack to obtain approximate leveling and install pier supports according to **Set the Home, STEP 2. POSITION HOME SECTION** (p. 35). Determine whether the tag and main unit floors are designed to line up flush or are offset by a step and adjust the tag pier heights accordingly.
2. **Level the unit.** Using a water level (p.40), verify that the piers are level. The elevation of all points along the lower flange of the I-beam should be no more than 3/8 inches from the desired height and should not deviate more than 3/4 inches overall.
3. **Connect floors.** If the floor of the tag unit is level with main unit floor, connect the floors together as described in **STEP 5. CONNECT FLOORS** (p. 43). For Dropped Floor fastening, see Section 6 of the Cavco Addendum.
4. **Connect walls.** Secure the tag unit walls to the main unit sidewall using #8 x 4" screws at 12 inches o.c. (see **Figure 45**). The sheathing shown in the detail may not be included by the manufacturer. If included, the sheathing over the last stud bay was tacked in place at the factory for easy removal at the site. Once the wall connections are complete, re-install the sheathing and complete the siding installation.

5. **Connect roofs.** When tag units abut to a dormer truss install #8 x 4" screws from the tag truss to the dormer truss (or stud). See **Figure 46** for flush roof connections and **Figure 47** for roof connections with an offset greater than two inches. Roof connections with an offset less than two inches do not require screws. When tag units join like a normal multiwide, fasten per doublewide requirements. See **Figure 38**



Piers under tag units.

Some tag units have special piercing needs due to the roof and/or floor construction. These will be detailed in supplemental piercing plans supplied with the home. Note that tag unit end walls are typically load bearing rather than side walls.

Figure 45. Tag unit wall connection



Figure 46. Tag unit flush roof connection

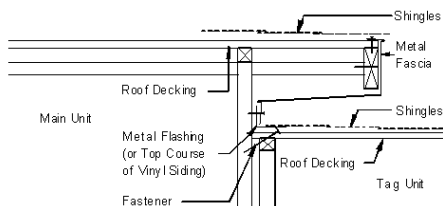
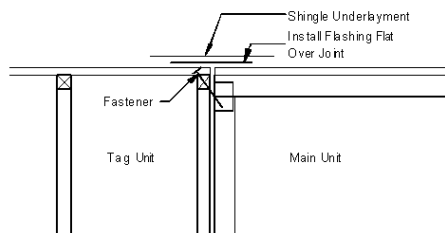
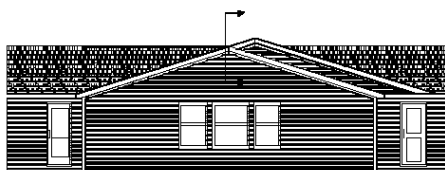


Figure 47. Tag unit offset roof connection



APPROVED BY



Cavco Industries Inc

STEP 10. REMOVE TEMPORARY ITEMS

Once the home is properly supported and the marriage line connections are completed, remove the temporary ridge beam supports and wall/ceiling plates used to brace the ridge beam during shipment. Take care not to damage the ceiling.

Remove and store or properly dispose of or recycle the hitch, axles, and wheels. These items are the property of the homeowner unless other contractual arrangements have been made.

Is the home supported on a load-bearing perimeter wall?
 ▶ **YES, go to STEP 11. FASTEN HOME TO FOUNDATION, (p. 51)**
 ▶ **NO, go to Complete Roof and Exterior Walls (p. 52)**

STEP 11. FASTEN HOME TO FOUNDATION

Fasten the home to the foundation (typically to the sill plate) according to the fastening schedule provided by the manufacturer.

Is the home supported on a basement foundation?
 ▶ **YES, go to STEP 12. BACKFILL AND GRADE, (p. 51)**
 ▶ **NO, go to Complete Roof and Exterior Walls (p. 52)**

STEP 12. BACKFILL AND GRADE

Backfill against the foundation wall to the height of the waterproofing, taking care to not damage the drainage system.

Grade the site as described in **Prepare the Site, STEP 3. CLEAR AND GRADE THE SITE (p.14)**.

STEP 13. BUILD STAIRS

Construct the basement stairs in compliance with the local building code. Take care that adequate headroom is maintained under beams and that there is sufficient landing space at the bottom of the stairs.

▶ **go to Complete Roof and Exterior Walls (p. 52)**



When to backfill. Backfill against basement walls only after the home is connected to the foundation or the basement walls may deflect inward or collapse.

Cutting the chassis. Do not cut, notch, bend, or alter in any manner beams, cross-members, and other parts of the steel chassis.

Cavco Installation Manual

APPROVED BY



Cavco Industries Inc

SU-51

Complete Roof And Exterior Walls

Complete Roof and Exterior Walls

This chapter covers closing up and weatherproofing the home by completing the roofing and siding.

Follow the Steps below:

- ▼ **STEP 1. COMPLETE ROOF** (p. 52)
- ▼ **STEP 2. COMPLETE TAG UNIT ROOF** (p. 54)

STEP 1. COMPLETE ROOF

RIDGE CLOSEUP

For multi-section homes, the first step in completing the exterior is sealing the roof along the ridge line (Figure 48). For homes with asphalt shingles, follow the procedure below. For homes with metal or other roofing materials, see Section 3 of the Cavco Addendum.

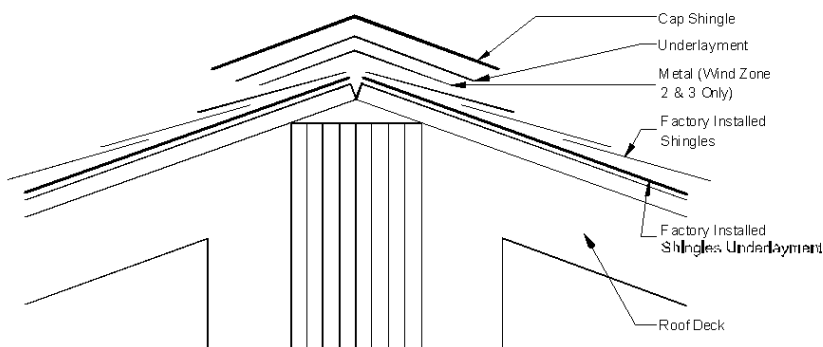


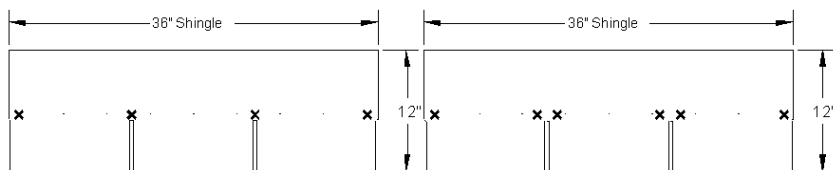
Figure 48. Shingle installation at ridge



Weatherproofing. It is vitally important to close up the home quickly to protect the interior from damage due to inclement weather.

Removing shipping protection. Remove shipping protection from the roof prior to completing roofing.

- 1. Install underlayment** (when sheathing at the ridge is installed on site). Make sure the roof sheathing is already installed (see **Complete Multi-Section Set, STEP 6. CONNECT ROOF**, p. 44). Install 15# felt or equivalent continuously along the length of the ridge, covering all exposed sheathing and overlapping sheathing joints by at least five inches on each side. Fasten using 1" x 1" x 16 ga galvanized staples. For Wind Zones II and III, also apply a six inch wide strip of roofing cement along each side of ridge under the underlayment.
- 2. Install shingles.** If shingles have been left off at the ridge line for site installation, install them now using 1" x 1" x 16 ga galvanized staples or 12ga 1-1/4" long, 3/8" diameter head roof nails. For Wind Zone I, fasten at 5/8 inch above each tab cutout slot and one at each end of the shingle one inch in from the edge (four fasteners for a three-tab shingle) (Figure 49). For Wind Zones II and III, use two fasteners 5/8 inch above and on either side of the tab slots and one at each end of the shingle one inch in from the edge (six fasteners for a three-tab shingle). Do not fasten through the shingle tar line.



* Fastener Locations

Figure 49. Shingle fastener locations for Wind Zone I (left) and Wind Zones II and III (right).

- 3. Install underlayment.** Install 15# felt or equivalent underlayment that is at least 10 inches wide continuously along the ridge. Fasten with 1" x 1" x 16 ga galvanized staples. For Wind Zones II and III, also apply a six inch wide strip of roofing cement on both sides of the ridge under the underlayment.

APPROVED BY

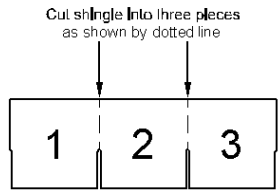


Oct 10, 2008

Cavco Industries Inc

Complete Roof and Exterior Walls

4. **Install shingle cap.** Starting at the opposite end of the home from the prevailing wind, install ridge cap shingles provided by the manufacturer or use 12" x 12" shingles (36" shingles cut into three equal pieces) (Figure 50). Install using 1" x 1" x 16 ga galvanized staples or 12 ga 1-1/4" long, 3/8" diameter head roofing nails spaced 5-5/8 inches from bottom edge and 1/2 inch to 1-1/2 inches in from both edges. Cover the exposed fasteners with tar or cement.



Installing a ridge vent. If a ridge vent is to be installed, follow the ridge vent manufacturer's instructions provided with the material or as an addendum to this manual in lieu of underlayment over ridge line and shingle cap.

Figure 50. Shingle cut into thirds

HINGE ROOF CLOSE-UP

For homes with hinged roofs, complete roofing underlayment and shingles along the hinge line (Figure 51) as follows:

1. **Install underlayment.** Attach the underlayment to the roof deck with a minimum of six-inch wide strip of cement. If necessary, trim the underlayment to allow the lowest shingle above the hinge of the roof to seal to the topmost shingle on the lower portion of the roof.

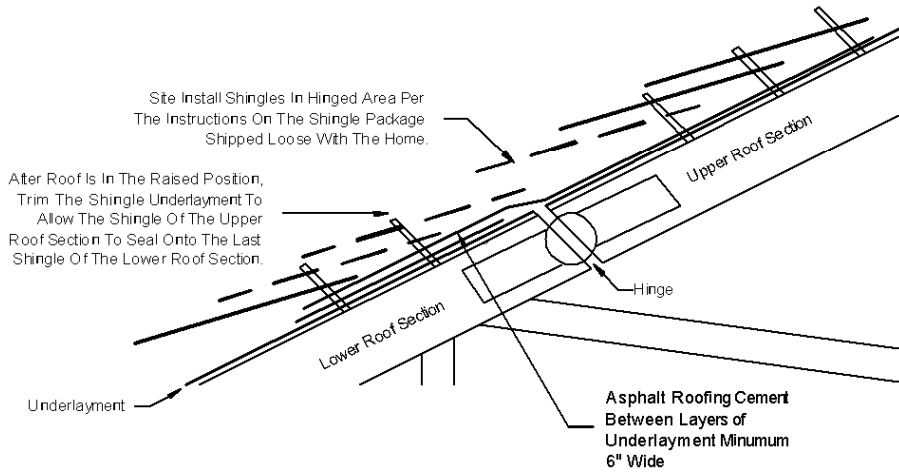


Figure 51. Shingle installation at hinge line



Installing metal flashing. Install optional metal flashing over the roof decking before applying roofing cement. Fold back the underlayment and fasten 30 ga x 6" wide minimum galvanized metal with roofing nails or 16 ga x 1" crown staples of sufficient length to penetrate the roof sheathing. Space fasteners four inches o.c. or less near the edge of the metal. Overlap the metal by at least two inches at joints.

2. **Install shingles.** Install missing shingles according to the shingle manufacturer's instructions.

COMPLETE TRIPLE-SECTION ROOFS

Complete roofing along triple-section home marriage lines according to one of the following methods based on the construction of the home.

Method 1: Dual ridge beams

1. **Install underlayment.** Fold down the underlayment of the outer section roof and apply a minimum six-inch wide strip of roofing cement to the sheathing. Lay the underlayment of the center section on top of the cement (see Best Practice tip for optional metal flashing). Fold down the center section roof underlayment on this cement.
2. **Install shingles.** Install missing row(s) of shingles, securing them per the shingle manufacturer's installation instructions (refer to the shingle wrapper).

Complete Roof And Exterior Walls

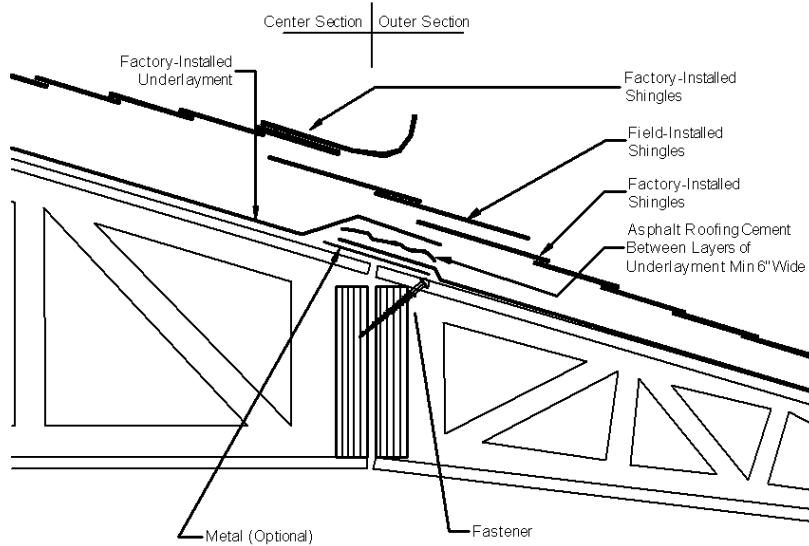


Figure 52. Triple-section roof connection Method 1

Method 2: Field-installed sheathing

- 1. Install underlayment.** Fold down the underlayment of the outer section roof and fold up the underlayment on the center section roof. Apply to the lower roof underlayment a minimum six-inch wide strip of roofing cement centered on the sheathing joint. Cover with the shipped loose underlayment. Apply another minimum six-inch wide strip of roofing cement to the ship loose underlayment centered on the upper roof sheathing joint.
- 2. Install shingles.** Install missing row(s) of shingles per the shingle manufacturer's installation instructions (refer to the shingle wrapper).

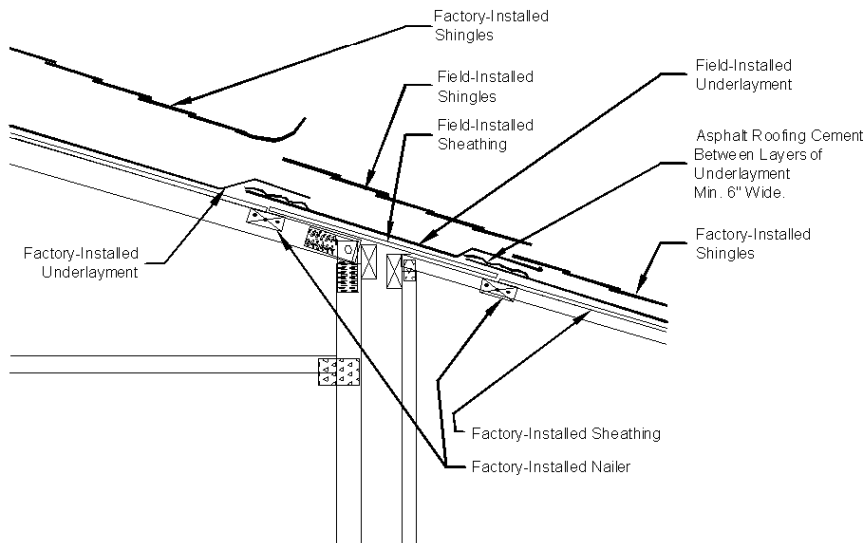


Figure 53. Triple-section roof connection Method 2

STEP 2. COMPLETE TAG UNIT ROOF

If the home has a tag unit, complete roofing for this unit now. The process for completing the roof is different for flush and offset roofs. Follow the instructions in the appropriate section below.

FLUSH ROOFS

For flush roofs, complete roofing along the marriage line and at the valley line as follows (see Figure 54):

APPROVED BY



Cavco Industries Inc

Complete Roof and Exterior Walls

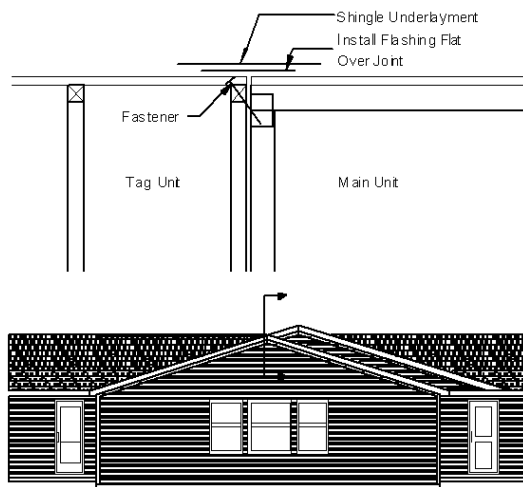


Figure 54. Tag unit flush roof connection

Marriage line

Method 1: Install metal flashing (minimum 30 ga x minimum 6" wide) over the joint between the main roof dormer and tag unit roof. Secure the flashing to the roof decks on both dormer and tag unit roofs with roofing nails or 16 ga staples with a one inch crown and long enough to fully penetrate the roof decks. Space fasteners maximum two inches o.c. near the edge of the flashing. Overlap seams in the metal by at least two inches. After flashing is complete, install shingles per shingle manufacturer instructions and ridge cap/vent according to **STEP 1. COMPLETE ROOF** (p. 52).

Method 2: Install two layers of roofing underlayment or equivalent over the joint between the main roof dormer and tag unit roof lapping the factory installed underlayment a minimum of six inches on each side and fully cemented at the laps. Install shingles per shingle manufacturer instructions and ridge cap/vent according to **STEP 1. COMPLETE ROOF** (p. 52).

Valley line

Along the bottom of the valley, shingles and one or more layers of roll roofing may need to be installed. If fastened to the roof at the factory, unroll the roofing, overlap the tag roof and trim the roofing to the roof edge. If shipped loose, install the roll roofing at the valley, lapping it under the factory installed roll roofing a minimum of 12 inches and fully cement the roofing at the lap. Complete shingles at the valley either by interweaving them or by trimming back approximately four inches from the valley line and fully cementing the exposed shingle edges.

OFFSET ROOFS

If there is a gap between the main unit dormer overhang and the tag unit roof of less than two inches, fold up the main unit dormer fascia, slide the underlayment and flashing from the tag unit roof behind the fascia, and bend the fascia back down and secure into sub-fascia with metal screws (Figure 55).

Cavco Industries Inc.

Complete Roof And Exterior Walls

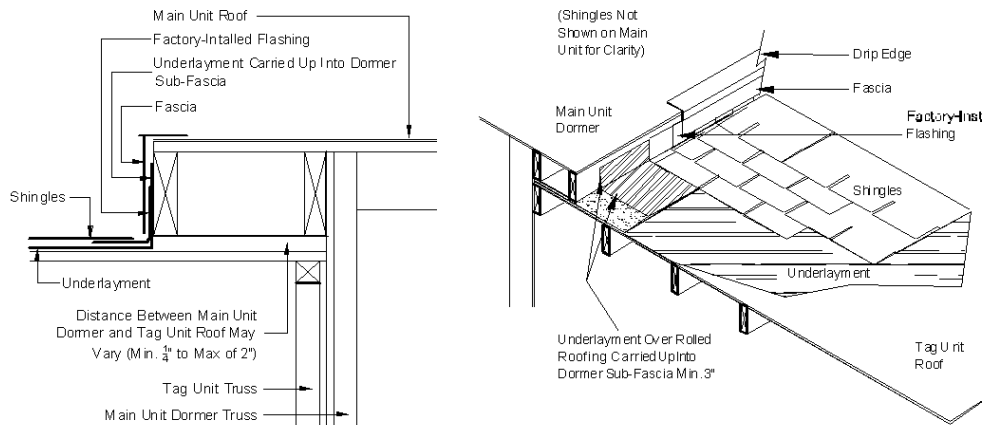


Figure 55. Tag unit roofing connection with less than two inch height difference

If the gap between the main unit dormer overhang and the tag unit roof is two inches or more, bend up the inside corner trim at the dormer overhang and main unit sidewall, fold up the factory installed flashing on the tag unit roof, fold the inside corner trim back down, and secure into dormer wall with metal screws (Figure 57).

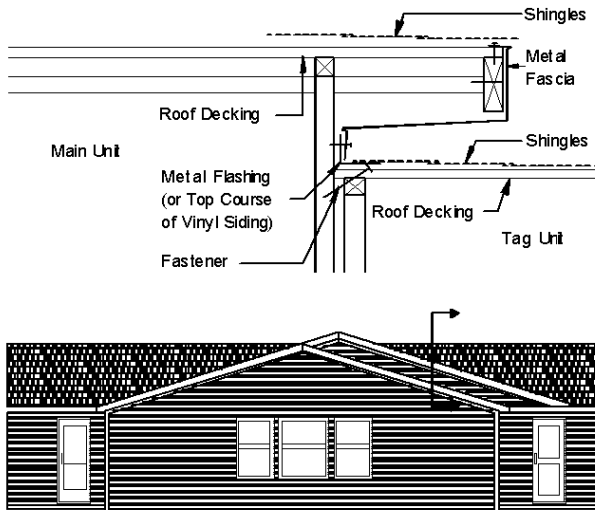


Figure 56. Tag unit offset roof connection

STEP 3. COMPLETE SIDE WALLS

Siding necessary to complete the exterior has been provided with the home. Follow the siding manufacturer's instructions (found on or with the packaging or as an addendum to this manual) and to complete the exterior siding as follows:

1. **Remove shipping protection.** Remove temporary shipping protection from walls.
2. **Complete crossovers.** Complete any crossover connections in the walls, including: electrical, stereo speaker, doorbell, telephone, and intercom wires.
3. **Install siding.** Fasten siding only at stud locations, avoiding electrical wires that are present in the walls.
4. **Install close-up of strips.** If siding has been installed on the end walls at the factory, fasten close-up strips securely along both edges and seal the edges with a waterproof sealant.
5. **Install trim.** Install any matching trim required to complete the installation.
6. **Seal penetrations.** With a waterproof sealant, seal any penetrations in the siding that may have been caused by temporary shipping protection.



Covering the HUD label. Do not cover the HUD label on the exterior of the home.

Removing shipping protection. Remove temporary shipping protection from walls before installing siding or serious moisture damage may result.

▶ go to **Connect Crossovers** (p. 57)

Connect Crossovers

This chapter covers crossover connections between units of multi-section homes, including ducts and electrical, water, waste, gas, telephone, and cable TV connections.

Follow the Steps below:

- ▼ STEP 1. CONNECT DUCTS (p. 57)
- ▼ STEP 2. CONNECT ELECTRICAL CROSSOVERS (p. 59)
- ▼ STEP 3. INSTALL ELECTRICAL BONDING (p. 62)
- ▼ STEP 4. CONNECT WATER LINES (p. 62)
- ▼ STEP 5. CONNECT DRAIN, WASTE, AND VENT LINES (p. 63)
- ▼ STEP 6. CONNECT GAS LINES (p. 65)

STEP 1. CONNECT DUCTS

There are two main types of duct crossover connections. Based on the location of the duct, follow the installation steps on the page indicated below.

- Under the floor (p. 57).
- In the roof cavity (p. 59).

To prevent air leakage, seal all ductwork connections, including duct collars using one or more of the following materials:

- Galvanized metal straps in combination with galvanized sheet metal screws.
- For rigid air ducts and connectors, tape and mastics listed to UL 181A.
- For flexible air ducts and connectors, tape and mastics listed to UL 181B.

UNDER FLOOR FLEXIBLE CROSSOVER DUCT

When heating or cooling equipment is installed in the home, the flexible crossover duct is provided by the manufacturer. In all cases the crossover duct must be listed for exterior use.

There are four common configurations of under floor crossover ducts depending on the number of home sections and the furnace/air handler location. See **Table 20** to locate the appropriate figure.

TABLE 20. UNDER FLOOR DUCT CONFIGURATIONS

Furnace location	Two home sections	Three home sections
Furnace over trunk duct	See Figure 57	See Figure 59
Furnace offset from trunk duct	See Figure 58	See Figure 60



Qualified personnel. Use only qualified personnel to make crossover connections. Consult the LAHJ for licensing or any additional crossover connection requirements.

Access for service. Whenever possible maintain access to connection areas for future maintenance.

Make tight connections. Permanent, durable, and tight crossover duct connections are critical to the proper performance of the home. Leaky ducts can result in severe moisture problems in the home, discomfort from rooms not receiving the proper amount of conditioned air, and high utility bills from wasted heating and/or cooling energy.

Cavco Installation Manual

APPROVED BY



Cavco Industries Inc

SU-57

Connect Crossovers

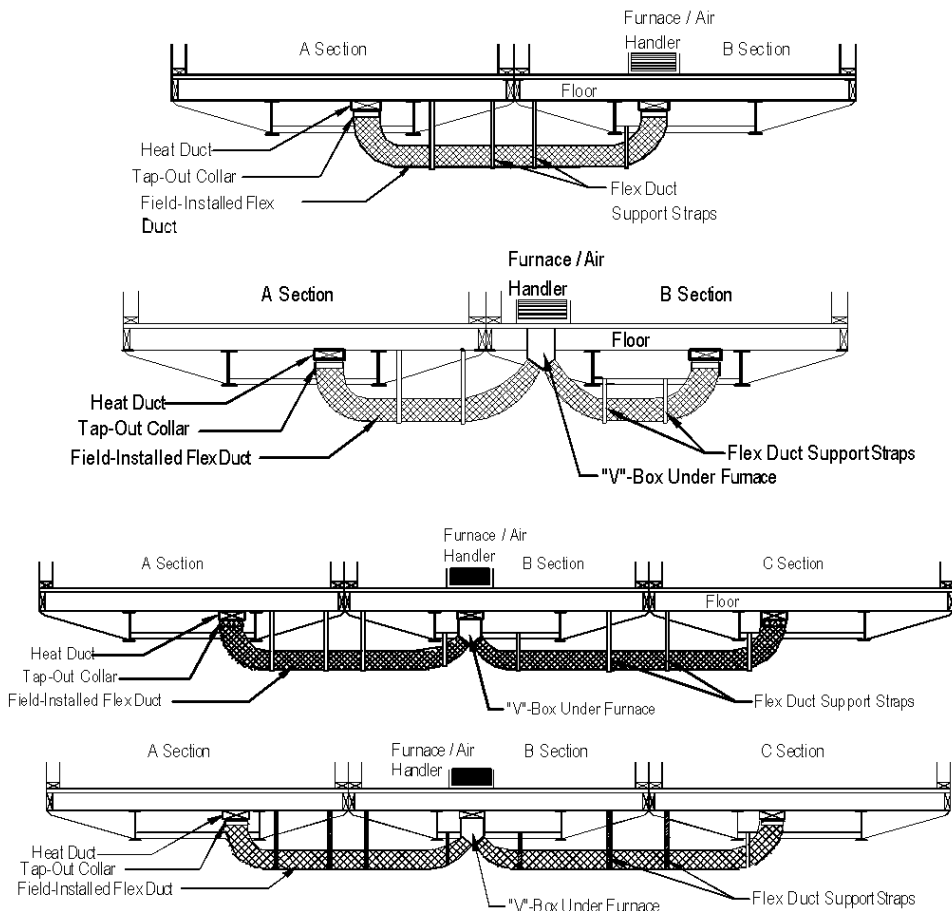


Figure 57. Furnace over trunk duct, two home sections

Figure 58. Furnace offset from trunk duct, two home sections

Figure 59. Furnace over trunk duct, three home sections

Figure 60. Furnace offset from trunk duct, three home sections

For under floor flexible crossover ducts follow the steps below.

1. **Locate collars.** Locate the metal crossover collars (or V-box) connected to the main trunk duct (or furnace) under the home and remove temporary shipping protection.
2. **Install inner duct.** Slide the crossover duct inner liner over the crossover collar/V-box as far as it will go. Temporarily fasten the inner liner in place with duct tape. Install a large nylon zip-tie over the inner liner just above the "ridge" around the crossover collar/V-box. Apply mastic completely over inner liner and collar/V-box (alternately, the mastic may be applied to the collar/V-box prior to sliding the duct inner liner over it).
3. **Connect duct insulation.** Bring the duct insulation up over the zip-tie and above the home's bottom board into the floor cavity. Temporarily duct tape it against the base of the trunk duct/V-box.
4. **Pull duct wrap.** Pull the crossover duct outer wrap over the top of the insulation and temporarily secure it to the trunk duct/V-box with duct tape.
5. **Install zip-tie.** Feel for the nylon zip-tie that was installed over the inner liner. Place another nylon zip-tie just under the first one to permanently secure the crossover duct insulation and outer wrap.
6. **Trim duct.** Trim the crossover duct to length such that the installed duct will be straight with no kinks or unnecessary bends.
7. **Connect other end.** Follow the same procedure (steps 1 through 5) to connect the opposite end of the crossover duct and any other crossover ducts.
8. **Seal joints.** Seal the joints between the bottom board and the crossover duct with foam or mastic.
9. **Support duct.** Support the crossover duct(s) above the ground using nylon or



Securing the crossover. Between Step 5 and Step 6, drill three or more 1/16 inch holes an equal distance around and just below the bottom edge of the nylon zip-tie. Install #12 pan head screws in these holes, through the flexible duct and into the metal crossover collar/V-box. The screw heads should be against the zip-tie.

APPROVED BY

Oct 10, 2008

galvanized metal straps and saddles spaced every 48 inches o.c. or less. Choose straps at least 1/2 inch wider than the spacing of the metal spirals encasing the crossover duct. Install the straps so they cannot slip between spirals. Secure metal straps with galvanized screws.

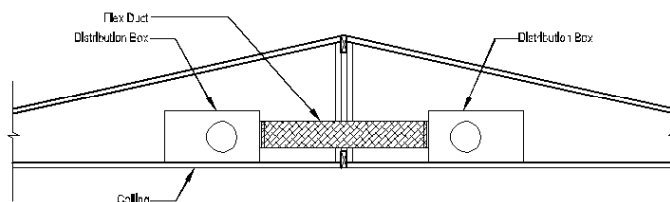
ROOF CAVITY CROSSOVER DUCT

For ducts installed in the roof cavity, follow the steps below.

1. **Access duct.** Access the crossover location through the open sides of the home before sections are joined and remove any temporary shipping protection.
2. **Join ducts.** Using the provided flexible duct, join the distribution boxes in each section of the home as shown in **Figure 61**, cutting off any extra duct length to keep the duct as straight as possible. The duct is connected to both distribution boxes and must be joined in the center with the provided connector.
3. **Fasten ducts.** At each connection point between ducts and between ducts and distribution boxes or connectors, secure the inner duct liner with a nylon strap, apply mastic completely over the connection area, pull the duct insulation and outer liner over the connection area, and secure them with a second nylon strap.

WARNING:

Cavco Industries **PROHIBITS** any connection of an evaporative water cooler to the factory installed floor heat duct system. Any such connection will not only void the warranty but may cause damage to the ducting system, furnace, carpeting, floor joists and floor decking. Serious property damage and/or personal injury may occur as a result of an evaporative water cooler to factory installed floor heat duct system connection.



Cover exposed metal.

Completely cover all exposed metal connectors with insulation. Apply sealants and tapes only to surfaces that are dry and free of dust, dirt, and grease.

Avoid ground contact. Installed crossover ducts must not be in contact with the ground.

Unobstructed airflow. Excess length, kinks and bends in the crossover duct will restrict airflow and degrade the home's HVAC system performance.

Figure 61. Duct crossover located in the roof cavity

STEP 2. CONNECT ELECTRICAL CROSSOVERS

Multi-section homes may have one or more electrical crossovers located in the wall(s) and/or floor(s) along the marriage line(s).

JOINING WIRES

Two types of connections may be present at these locations—snap connectors and junction boxes. Identify matching circuits if multiple circuits exist at a single crossover location. These will be coded for identification. Connect snap connectors according to the connector manufacturer's installation instructions, including fastener requirements.

Connect wires in junction boxes as follows (**Figure 62**):

Pull wires. Pull circuit wires into the junction box, sliding them through a romex connector and secure snugly. (**Figure 62**) Do not over-tighten.

1. **Strip wires.** Remove the outer jacket that holds the circuit wires together providing a minimum of four inches of free wire in the box.
2. **Connect wires.** Connect wires together matching like colors, using appropriately sized wire nuts. Use the ground wire to ground the junction box and/or cover plate(s), if metal. Junction boxes may contain single or multiple 15 or 20-amp circuits, or a single 240-volt appliance circuit.
3. **Replace cover.** Reposition the junction box cover and secure using machine (not sheet metal) screws.



Use qualified electricians.

All electrical work must be performed by a qualified electrician and comply with the 2005 NEC.

Disconnect power. Turn off power to the home before making connections.

Proper use of GFCI circuits. Ensure Ground Fault Circuit Interrupter (GFCI) circuits are connected to the proper GFCI protected circuits from the power supply.

APPROVED BY



Cavco Industries Inc

SU-59

59

Connect Crossovers

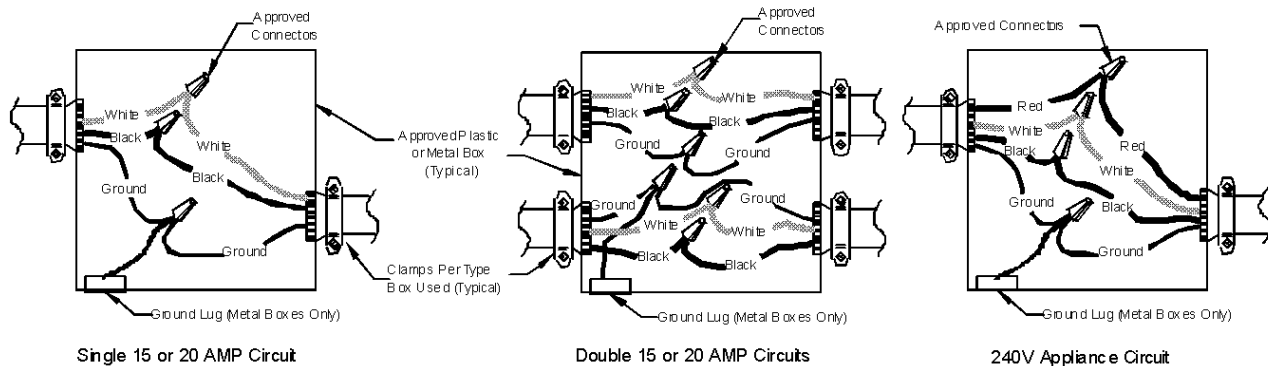


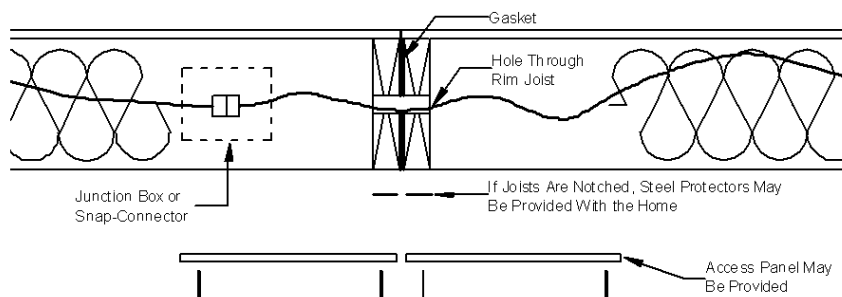
Figure 62. Types of junction box wiring connections

FLOOR CROSSOVER

When making electrical connection(s) in the floor, use one of the wiring options described below.

Method 1: Access panel

1. **Access wires.** Find the crossover location(s) and remove the access panel(s) if attached. If access panel openings are not provided, cut through bottom board to expose the wiring (Figure 63).
2. **Route wires.** Pass the wires through predrilled holes or notches in the rim joist or if there is a single bumped-out access panel as in Figure 64, then under the rim joists. If holes or notches have not been provided and there is no bumped-out access panel, drill maximum one-inch diameter hole(s) half-way up the rim joists on each home section, making sure the holes align and feed the wire through the hole.
3. **Connect wires.** Connect wires via a junction box or snap-connector(s) as described above.
4. **Secure wires.** Secure wires with staples to adjacent joists or studs within eight inches of junction box or snap-connector(s).
5. **Install smash plates.** For notched perimeter joists, install steel wire protectors (smash plates).
6. **Seal bottom board.** Replace insulation and re-install access panels and/or seal the bottom board with tape specially made for that purpose (may be provided). The access panel(s) may be temporarily installed near the crossover location or shipped loose with the home.



Using snap connectors. Do not use oversized nails or drive nail heads into snap connectors. Some connectors are designed for one-time use only – a new connector must be used if they become separated.

Protect cables. Cover all cables with conduit or other suitable weather-resistant and protective material.

Figure 63. Electrical crossover floor wires with flush access panels

APPROVED BY



Cavco Industries Inc

Connect Crossovers

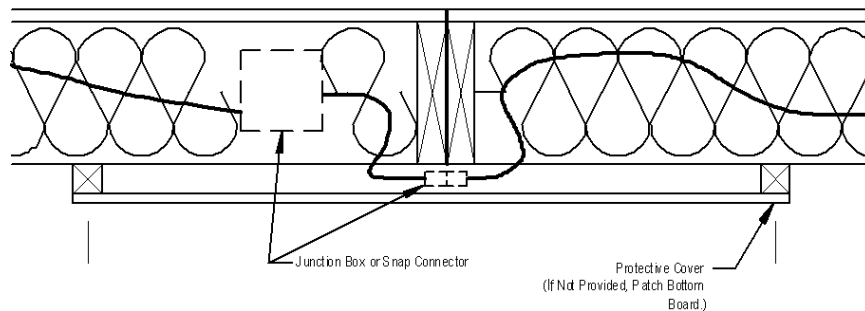


Figure 64. Floor electrical crossover wires with bumped-out access panel

Method 2: Junction box with conduit

- 1. Access boxes.** If junction boxes are not exposed, access them inside the floor by cutting the bottom board or by removing the access panel(s). Remove the junction box covers.
- 2. Connect wires.** If wire is coiled inside one junction box, insert it into conduit and pass it under the rim joists to the opposing box and make the connection as described above. If no coiled wire is provided, install conduit with wire making connections in both boxes (Figure 65).
- 3. Cover boxes.** Replace and secure covers on junction boxes.
- 4. Seal floor.** Replace any displaced insulation and replace access panel or seal the bottom board with tape specially made for that purpose (may be provided).

Variation to Method 2: A junction box may be installed only on one side with the other side containing conduit behind an access panel. Bring the conduit to other side and make one connection in the junction box.

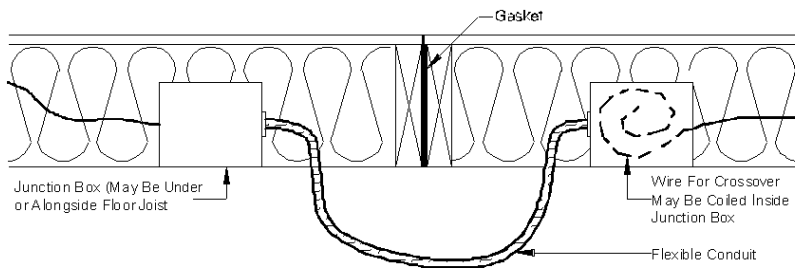


Figure 65. Under the rim joist electrical crossover connection with conduit

WALL CROSSOVERS

Connect electrical, phone, cable television, and stereo speaker wires in marriage walls and/or partition and end walls.

If access panels into the marriage walls are not provided, then the connection should have been made prior to bringing the home sections together. If access panels are provided in marriage, end or partition walls, remove the panels, join the wires as described above using the provided snap-connector, junction box, or at a receptacle, and re-attach the access panel (Figure 66 for marriage walls and Figure 67 for partitions and end walls).



Avoid damaging crossover wires. Carefully fold marriage wall crossover wires so they stay within a single bay and are not sandwiched between studs when the sections are pulled together.

Cavco Insulation Manual

APPROVED BY



Cavco Industries Inc

SU-61

Connect Crossovers

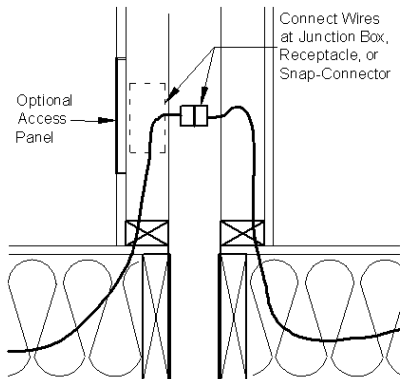


Figure 66. Inside marriage wall crossover connection

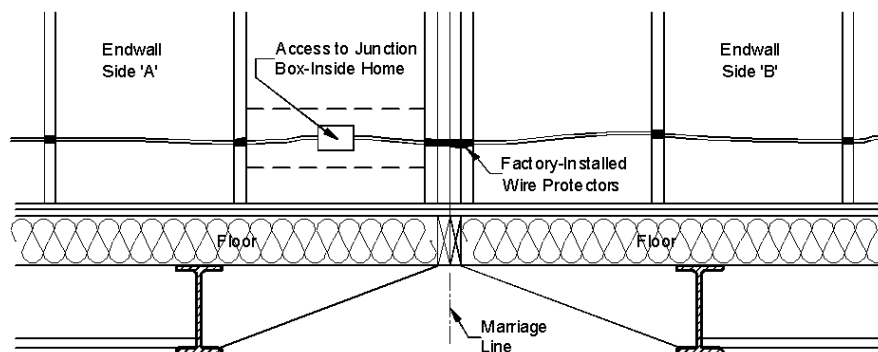


Figure 67. Inside partition or end wall electrical crossover connection

STEP 3. INSTALL ELECTRICAL BONDING

To ensure all metal parts are effectively grounded, electrically bond all chasses together as follows (**Figure 68**):

1. **Find lugs.** Determine if solderless ground lugs are provided on the front or rear frame outriggers or headers.
2. **Attach wire.** If lugs are provided, uncoil the bonding wire (#8 minimum bare copper wire) from one side of the home and connect it to the lug provided on the opposing side, tighten the set screw firmly on the wire and repeat for any additional home sections.

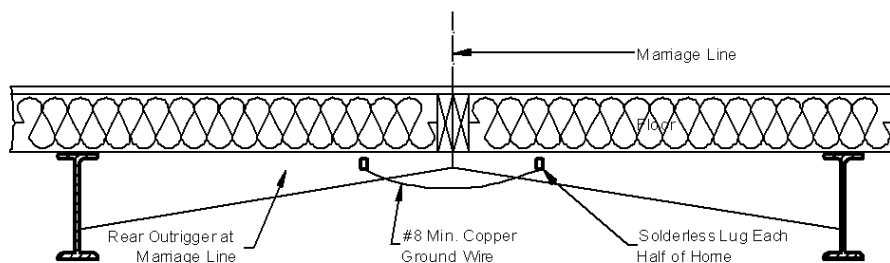


Figure 68. Electrical bonding of multi-section homes

3. **Attach strap.** If ground lugs and copper wire are not provided, attach the provided four-inch bonding strap to each pair of adjacent chasses with two #8 x 3/4" self-tapping metal screws (one screw each side).

STEP 4. CONNECT WATER LINES

Connect water lines inside the floor through access panels or below the bottom board as follows:

WATER LINES ACCESSED THROUGH PANELS

1. **Remove panels.** Remove access panels from each home section.
2. **Remove caps.** Remove shipping caps from ends of water lines.



Applying cement. Follow cement manufacturers instructions with respect to application and drying time.

APPROVED BY



Cavco Industries Inc

Connect Crossovers

- 3. Pull lines.** Pull water lines through holes in rim joist. If holes are not provided, drill round holes in the center of the rim joist, with a maximum diameter of one third the rim joist depth (Figure 69).
- 4. Connect pipes.** Connect threaded water lines using provided connector fittings (do not use lubricants or sealants). Connect non-threaded water lines using provided fittings and cement, inserting pipe to full depth of each fitting (a short connector pipe may be provided to bridge the gap between sections).
- 5. Test.** Test connections for leaks.
- 6. Seal floor.** Securely replace insulation and access panels.

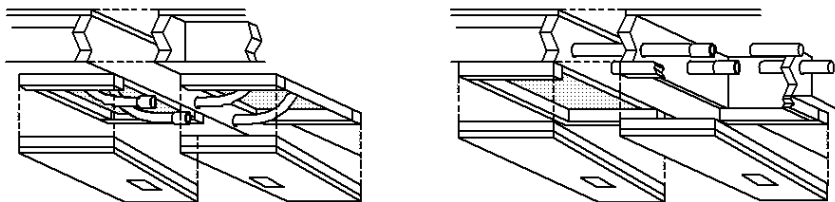
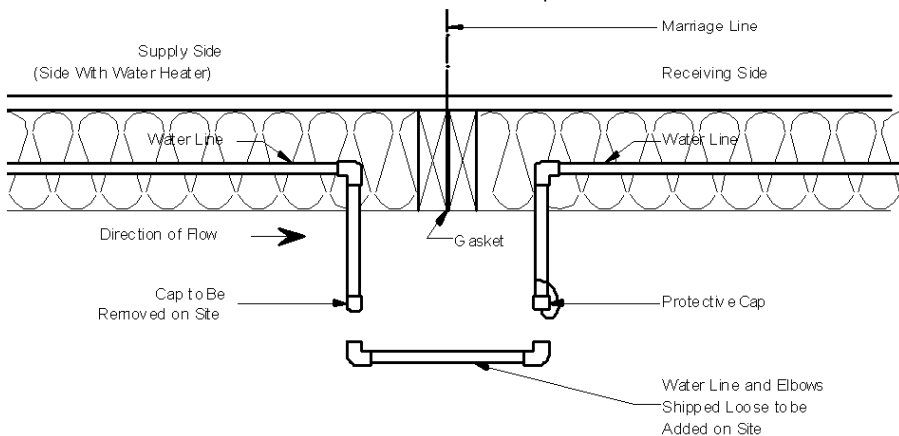


Figure 69. Water line crossover with access panels

WATER LINES DROPPED BELOW BOTTOM BOARD

- 1. Remove caps.** Remove protective shipping caps from ends of pipes and make sure pipe ends are clean and smooth.
- 2. Connect pipes.** Connect threaded water lines using flexible pipe or a rigid connector line (if provided) and connector fittings (do not use lubricants or sealants). Connect non-threaded water lines, pipe, and elbows with cement provided, inserting pipe to full depth of each fitting (Figure 70).
- 3. Test.** Test connections for leaks.
- 4. Protect pipes.** Wrap water lines with insulation and bottom board shipped loose with home or otherwise protect to prevent freezing. Tape bottom board using tape specially made for that purpose (may be provided) and staple with 7/16" x 1/2" staples at four inches o.c. around bottom board using a divergent (stitch) stapler or equivalent. If heat tape is used it must be listed for manufactured home use and be installed in compliance with manufacturer instructions.



Choosing cement type.

Use the proper cement for water lines as it may differ from the cement used for the DWV system.

Figure 70. Water line crossover through bottom board

STEP 5. CONNECT DRAIN, WASTE, AND VENT LINES

Complete portions of the drain, waste, and vent (DWV) system that are below the floor as follows:

- 1. Remove caps.** Remove shipping covers from pipes extending through the bottom board; inspect pipes and fittings and clean them of dirt, obstructions, and burrs.
- 2. Assemble pipes (if shipped loose).** Using the drain schematic drawing provided with the home, begin assembling the DWV system starting at the location farthest from the sewer/septic connection and working towards the outlet, fastening the pipe with cement or adjustable screw-clamp connectors, if provided (Figure 71). As the system is assembled, support the piping with tem-



Providing required clearances.

Provide the drain outlet with a minimum clearance of three inches in any direction from all parts of the structure or any appurtenances and with not less than 18 inches unre-

APPROVED BY



Cavco Industries Inc

Connect Crossovers

porary blocking. Unless otherwise noted on the schematic diagram, provide a minimum 1/4 inch per foot slope towards the sewer/septic using a plumber's level. Where a slope of 1/4 inch per foot cannot be maintained, use a minimum slope of 1/8 inch per foot and install of a full-size clean-out at the uppermost point of the run (Figure 72).

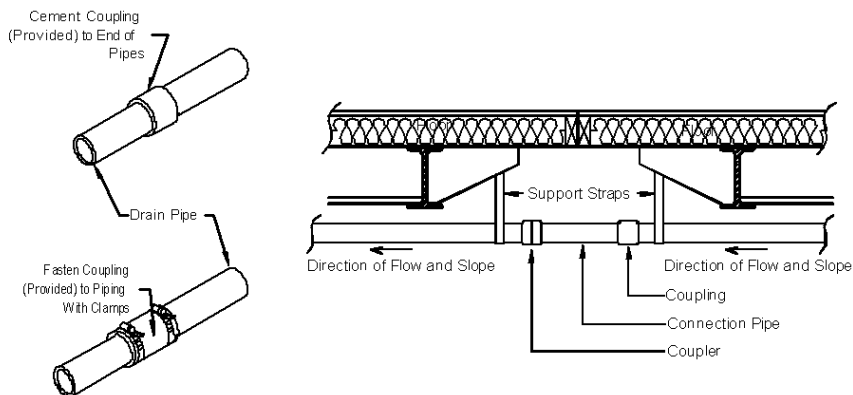


Figure 71. Drain crossover connection

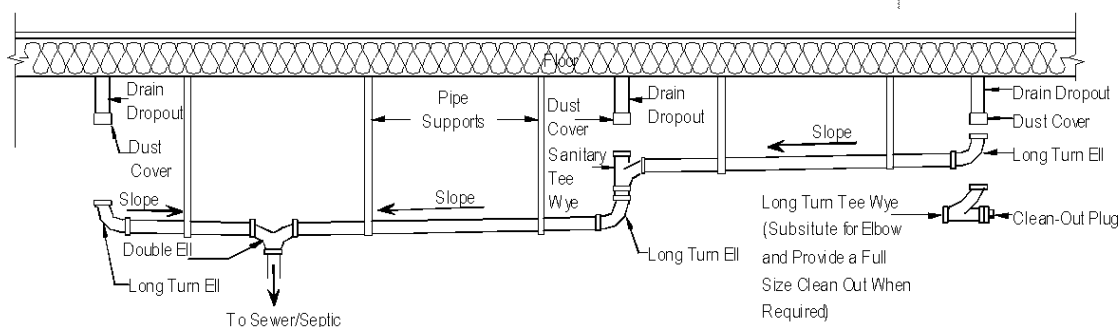


Figure 72. DWV system

3. **Test.** Conduct a two-part leakage test on the completed drainage system as follows:
 - Part 1. With all fixtures connected, and all tub and shower drains plugged, fill the system with water to the rim of the toilet bowl through a higher fixture. Release all trapped air, replace tub and shower plugs, backfill fixtures, and allow the system to stand at least 15 minutes. Check for leaks. Drain the system. If leaks are found, repair and retest.
 - Part 2. Plug all fixtures, sinks, showers, and tubs and fill with water. Release the water in all fixtures simultaneously to obtain the maximum possible drain piping flow. As water is draining, check for leaks. If any are found, repair and retest.
4. **Connect to outlet.** Connect the main drain line to the site sewer/septic hook-up, using an approved elastomer coupling (Figure 73).



Choosing glues. Use only solvents and glues compatible with the pipe (ABS or PVC). Follow manufacturer's instructions.

Connect Crossovers

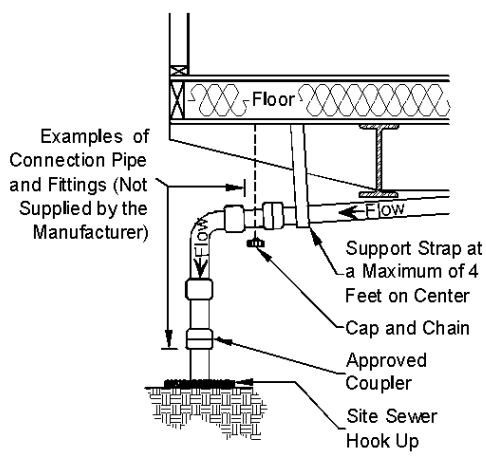


Figure 73. DWV connection to sewer/septic

5. **Install supports.** Install permanent drain line supports at a distance of four feet o.c. or less (see Figure 71, Figure 73, and Figure 74).

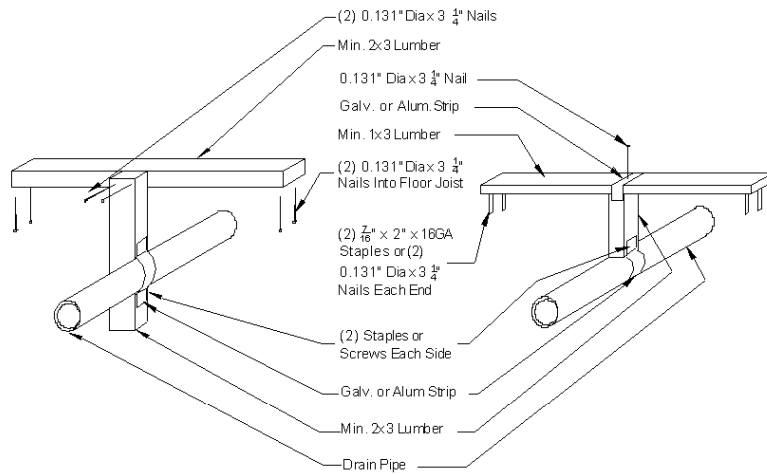


Figure 74. DWV pipe support options



Protect pipes from freezing. If the home is to be left unheated in cold weather, pour antifreeze solution into all drain traps, including sinks, tubs, and toilets. Be sure that the antifreeze is safe for the fixtures and P-traps.

6. **Insulate.** Replace all insulation and make sure all potentially exposed portions of the DWV system are well insulated to protect against freezing.

Installing quick disconnect fittings. Do not use tools, lubricants, or sealants with quick disconnect fittings.

Gas test precautions. Do not connect to gas service until tests described in Connect Utilities have been successfully completed.

STEP 6. CONNECT GAS LINES

The gas crossover connection may use quick disconnect fittings or threaded connectors. Find the connection location below the floor at the marriage line and gather the connectors (they may be shipped loose if not present under the home).

For quick disconnect fittings (**Figure 75**), remove any dust caps and then with one hand, pull back on the quick disconnect device, snap it over the quick disconnect adaptor and release it to complete the connection.

For threaded connectors (**Figure 76**), remove the black cap and nipple (or any other plugs, such as a black iron plug) from both the supply and receiving sides and screw the connector onto the supply and return pipes as necessary.

Check for leaks before connecting to gas service (see **Connect Utilities, STEP 3. CONNECT GAS SERVICE**, p. 90).

Cavco Insulation Manual

Connect Crossovers

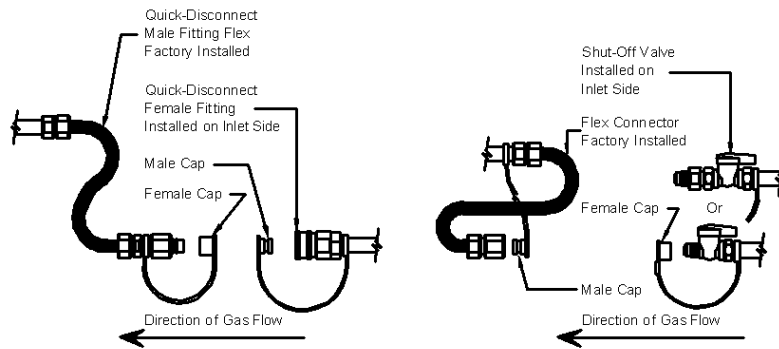


Figure 75. Gas crossover with quick disconnect fittings

Figure 76. Gas crossover with threaded connectors



Installing wiring. When installing telephone and cable television wires, do not damage electrical wires, plumbing lines, or ducts. Serious personal injury or death could result from damage to electrical wires.

STEP 7. CONNECT TELEPHONE AND CABLE TV WIRING

Install telephone and cable television wiring in accordance with the requirements of the LAHJ, the NEC, and NFPA No.70-2005. When making crossover connections or installing telephone or cable television wires, do not run them in the same raceway as, or in close proximity to, high voltage electrical conductors or cables.

Wires should only be installed by trained professionals.

▶ go to **Complete the Interior** (p. 67)

APPROVED BY



Cavco Industries Inc

Complete the Interior

This chapter covers the completion of the home's interior finishes including finishing walls, ceilings, flooring, trim, and miscellaneous items.

Follow the Steps below:

- ▼ **STEP 1. ALIGN MARRIAGE WALLS** (p. 67)
- ▼ **STEP 2. FINISH GYPSUM BOARD** (p. 67)
- ▼ **STEP 3. COMPLETE WALL AND CEILING FINISHES** (p. 68)
- ▼ **STEP 4. COMPLETE CARPET** (p. 68)
- ▼ **STEP 5. COMPLETE TRIM** (p. 68)

STEP 1. ALIGN MARRIAGE WALLS

Align and secure walls at marriage line openings as follows:

1. **Align walls.** Align walls and clamp in place.
2. **Fasten walls.** Secure clamped walls together with metal straps or long screws so they do not move when the clamps are removed. Insert wood wedges in gaps between walls, and glue and screw to create a tight connection.
3. **Fill gaps.** Fill any remaining gaps with wood or sheathing material.

Does the home require patching and finishing gypsum board walls or ceilings?

- ▶ **YES, go to STEP 2. FINISH GYPSUM BOARD**, (p. 67)
- ▶ **NO, go to STEP 3. COMPLETE WALL AND CEILING PANELS**, (p. 68)

STEP 2. FINISH GYPSUM BOARD

Finish all unfinished gypsum board walls and ceilings as follows:

1. **Install panels.** Install ship loose gypsum panels using a 1/4 inch diameter bead of adhesive on all framing members and minimum 1-1/2 inch long dry-wall screws, nails, or staples at six inches o.c. along panel edges and 12 inches o.c. in the field into framing members.
2. **Mud seams.** Mud and tape all seams and corners, filling all fastener depressions. Follow mud manufacturer's directions.
3. **Paint.** When the final coat of mud is dry, prime and paint all unfinished gypsum board to match existing paint color and finish texture.

Does the home have pre-finished interior wall panels at the marriage line?

- ▶ **YES, go to STEP 3. COMPLETE WALL AND CEILING PANELS**, (p. 68)
- ▶ **NO, go to STEP 4. COMPLETE CARPET**, (p. 68)



Fastening gypsum. When attaching gypsum board, depress, but do not break the paper face with the fastener. Breaking the paper will weaken the connection.

Using alternative materials. Obtain the home manufacturer's approval before using interior finish materials other than those provided with the home.

APPROVED BY



Cavco Industries Inc

SU-67

67

Complete the Interior

STEP 3. COMPLETE WALL AND CEILING FINISHES

Install interior ship loose wall and/or ceiling panels using a 1/4 inch diameter bead of polyvinyl acetate (PVA) adhesive on all framing members and fasten with minimum 1-1/2 inch long staples or nails at six inches o.c. along panel edges and 12 inches o.c. in the field into framing members.

STEP 4. COMPLETE CARPET

Install and seam ship loose or rolled carpet as follows:

1. **Prepare floor.** Clean the floor of all dirt and debris and smooth the floor deck at the marriage line seams as necessary to ensure a level and smooth surface.
2. **Lay pad.** Lay down the carpet pad, if provided.
3. **Stretch carpet.** Ensuring all carpet "grain" runs in the same direction, fit and secure the carpet using a power carpet stretcher. Stretch the carpet up to the seam and tack it down temporarily until the carpet is seamed.
4. **Butter carpet.** "Butter" with carpet adhesive the edges of the carpet along the seam.
5. **Seam carpet.** Place heat bond tape under the seam with the glue side next to the carpet and apply heat from a seaming iron to the top of the seam, pressing the carpet into the glue.
6. **Keep scraps.** Retain reasonable size carpet scraps to protect carpet and flooring during move-in.

STEP 5. COMPLETE TRIM

Using fine gauge wire staples or pin nails, install ship loose molding and wainscot paneling to finish trimming out ceilings, marriage line walls, front and rear end walls, and passageway doors where necessary.

STEP 6. INSTALL SHIP LOOSE ITEMS

Remove all strapping, blocking, and packaging from appliances, windows, and doors. Install any drapes, mini-blinds, mirrors, door stops, closet shelves, and hardware per the product manufacturer's installation instructions.

Proceed based on the foundation type:

- ▶ Pier and ground anchor, go to **Install Stabilizing Systems**, (p. 69)
- ▶ Load bearing perimeter wall, go to **Connect Utilities** (p. 84)



Fasten the bottom edge of the ridgebeam at open spans with fasteners provided at 12" o.c. Failure to do so may cause cracks along the mateline



Installing carpet. Only experienced carpet installers should install carpet. Failure to follow the carpet manufacturer's directions may void the carpet warranty.



Stagger seams. Stagger all seams. For example, locate the carpet pad seam three inches to left of marriage line and the carpet seam three inches to right of marriage line.

Install Stabilizing Systems

This chapter covers the design and installation of the stabilizing system which secures the home against lateral and upward forces caused by wind. The system covered here uses earth (or ground) anchors and steel straps connected to the home's longitudinal steel beams and/or exterior walls. Stabilizer plates may also be used to prevent the anchor head from moving laterally in the ground. An anchor, strap, and stabilizer plate (if used) together are referred to as a tie-down.

Anchors can also be mounted in concrete footings when there is enough concrete mass (weight) to resist the lateral and upward forces. This type of system is not covered in this manual.

Follow the Steps below:

- ▼ **STEP 1. DETERMINE ANCHOR LOCATIONS** (p. 69)
- ▼ **STEP 2. DETERMINE TIE-DOWN CONFIGURATION** (p. 77)
- ▼ **STEP 3. SELECT ANCHORS** (p. 78)
- ▼ **STEP 4. INSTALL ANCHORS** (p. 78)
- ▼ **STEP 5. INSTALL STRAPS** (p. 80)
- ▼ **STEP 6. TIGHTEN AND ADJUST STRAPS** (p. 83)

STEP 1. DETERMINE ANCHOR LOCATIONS

Create a sketch of the home plan showing the exterior walls, marriage line(s) (if any) and frame I-beams (this will be similar to the base sketch created in **Prepare Footings**, page 18).

See **Table 21** for a list of anchor locations, types, and where they are required. Pages where the requirements are provided are noted in the last column.

As each anchor location is determined, mark it on the sketch, noting important dimensions such as spacing between anchors. When complete, this will be the home's tie-down plan (**Figure 77** and **Figure 78**).

TABLE 21. ANCHOR LOCATION TYPES

Location	Type	Wind Zone I	Wind Zones II and III	See page
Sidewall	Frame	Yes	Yes	70
	Vertical	No ¹	Yes	75
End wall	Frame	Sometimes	Yes	75
	Vertical	No	Yes	76
Shear wall ²	Vertical	No	Yes	76
Marriage line	Vertical	No	Yes	77
Tag Unit	Frame	Yes	Yes	77
	Vertical	No	Yes	77
Porch Post	Vertical	Sometimes	Yes	77
Offset Unit	Frame	Yes	Yes	77

¹ Connect any factory-installed sidewall tie-down straps to a ground anchor regardless of the wind zone in which the home is placed.

² Install interior shear wall anchors and marriage line anchors prior to moving the home over the top of the anchor locations and then return to Set the Home or Complete Multi-Section Set respectively.

Figure 77 and **Figure 78** illustrate typical anchor locations for a double-section home in Wind Zone I and Wind Zones II and III respectively.



Need for a stabilizing system. The manufactured home must be secured against the wind by the use of an anchor assembly or an alternative foundation system. Where site or other conditions prohibit the use of the manufacturer's instructions, a registered engineer or registered architect must design the stabilizing system.

Flood and seismic forces. The stabilizing system requirements in this chapter do not consider flood or seismic loads and are not intended for use in flood or seismic hazard areas. In those areas retain a registered engineer or registered architect to design the stabilizing system.

APPROVED BY



Cavco Industries Inc

Install Stabilizing Systems

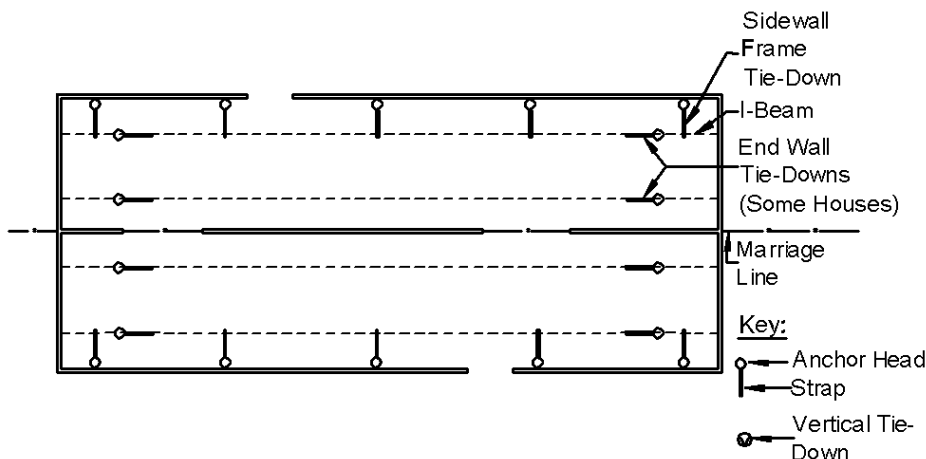


Figure 77. Typical anchor locations for a double-section home in Wind Zone I

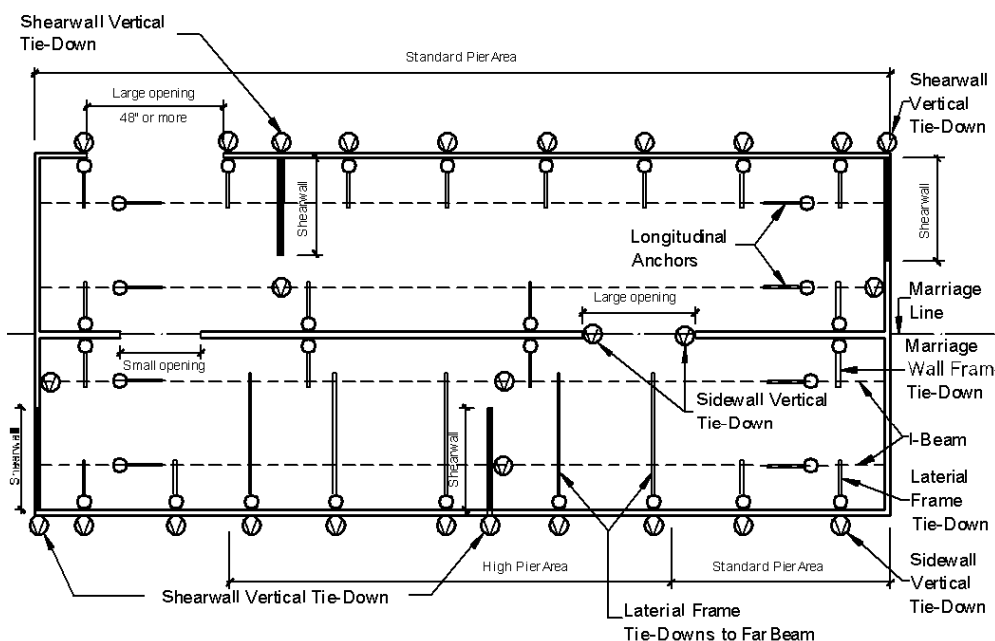


Figure 78. Typical anchor locations for a double-section home in Wind Zones II or III

SIDEWALL FRAME ANCHORS

Use the following tables to determine the spacing between anchors for WZ I. Spacing requirements will vary depending on the type of home (single or multi-section), the slope of the roof, the width of the floor for each section, the sidewall height, I-beam spacing, and the height from the ground to the strap attachment point. Determine the values for the home. Using the table for the appropriate wind zone, determine the column and row that corresponds to the characteristics of the home. The value on the tables is the maximum distance between anchors. Keep in mind that sidewall frame tie-downs must be located no more than two feet from each end wall. See the **Cavco Addendum** for any configuration not found in this manual.

For multi-wides such as triple-wide and quad units, the values for doublewides may be used to determine the required anchor spacing.



Maximum spacing requirements. The LAHJ may have anchor spacing requirements that supersede the values provided in this manual.

APPROVED BY



Cavco Industries Inc

Install Stabilizing Systems

TABLE 22. WZ1 SIDEWALL FRAME ANCHOR SPACING. 10 (20) AND 12 (24) WIDES FOR 4.3/12 AND 6/12 ROOF

Maximum Transverse Strap Spacing, ft										
Floor Width	Maximum sidewall height	Height From Ground to Floor	Near Beam Method (See Note #1)				Far Beam Method			
			Roof Slope Under 4.3 / 12		Roof Slope Under 6 / 12		Roof Slope Under 4.3 / 12		Roof Slope Under 6 / 12	
			Singlewide	Doublewide	Singlewide	Doublewide	Singlewide	Doublewide	Singlewide	Doublewide
10 Wide (120") 20 Wide (240")	90"	24"	10.5	11.0	8.0	6.5	16.0	16.5	12.0	10.0
		36"	8.0	8.5	6.0	5.0	15.5	16.0	12.0	10.0
		48"	6.5	6.5	5.0	4.0	15.0	15.5	11.5	9.5
		67"	4.5	5.0	--	--	13.5	14.0	10.5	8.5
	96"	24"	10.0	10.5	8.0	6.5	15.5	16.0	11.0	10.0
		36"	7.5	8.0	6.0	5.0	15.0	15.0	11.5	9.5
		48"	6.0	6.0	4.5	4.0	14.0	14.5	11.0	9.0
		67"	4.5	4.5	--	--	13.0	13.5	10.0	8.5
	108"	24"	9.0	9.5	7.0	6.0	14.0	14.0	9.0	9.0
		36"	7.0	7.0	5.5	4.5	13.5	13.5	10.5	9.0
		48"	5.5	5.5	4.0	--	13.0	13.0	10.0	8.5
		67"	4.0	4.0	--	--	11.5	12.0	9.0	7.5
	120"	24"	8.5	8.5	6.5	5.5	12.5	13.0	8.0	8.5
		36"	6.5	6.5	5.0	4.0	12.0	12.5	9.0	8.5
		48"	5.0	5.0	4.0	--	11.5	12.0	9.5	8.0
		67"	--	--	--	--	10.5	11.0	8.5	7.0
12 Wide (144") 24 Wide (288")	90"	24"	11.0	11.0	8.0	6.0	16.5	17.0	12.0	9.5
		36"	8.0	8.5	6.0	4.5	16.0	16.5	11.5	9.5
		48"	6.5	6.5	4.5	--	15.5	16.0	11.5	9.0
		67"	4.5	5.0	--	--	14.5	15.0	10.5	8.5
	96"	24"	10.0	10.5	7.5	6.0	15.5	16.0	11.5	9.5
		36"	7.5	8.0	5.5	4.5	15.0	15.5	11.0	9.0
		48"	6.0	6.0	4.5	--	14.5	15.0	11.0	9.0
		67"	4.5	4.5	--	--	14.0	14.5	10.0	8.0
	108"	24"	9.0	9.5	7.0	5.5	14.0	14.5	10.5	8.5
		36"	7.0	7.0	5.0	4.0	13.5	14.0	10.5	8.5
		48"	5.5	5.5	4.0	--	13.5	13.5	10.0	8.0
		67"	4.0	4.0	--	--	12.5	13.0	9.5	7.5
	120"	24"	8.5	8.5	6.5	5.5	13.0	13.0	9.0	8.0
		36"	6.5	6.5	5.0	4.0	12.5	13.0	9.5	8.0
		48"	5.0	5.0	4.0	--	12.0	12.5	9.5	7.5
		67"	--	--	--	--	11.5	11.5	9.0	7.0

1. The near beam method for 10 and 20 wides may only be used when the I-beams are spaced at 75.5". 10 and 20 wides with 95.5" and 99.5" spacing must use the far beam method.
2. Unless otherwise noted, all values apply for 95.5" and 99.5" spacing.
3. Values include 16" eaves.
4. Ground anchors are assumed to be 2" from the exterior face of the sidewall.
5. All values are based on a ground anchor/strap capacity of 3150 lbs.
6. See the near beam and far beam strapping diagrams in this section.



Install Stabilizing Systems

TABLE 23. WZ1 SIDEWALL FRAME ANCHOR SPACING. 14 (28) AND 16 (32) WIDES FOR 4.3/12 AND 6/12 ROOF

		Maximum Transverse Strap Spacing, ft								
Floor Width	Maximum sidewall height	Height From Ground to Floor	Near Beam Method				Far Beam Method			
			Roof Slope Under 4.3 / 12		Roof Slope Under 6 / 12		Roof Slope Under 4.3 / 12		Roof Slope Under 6 / 12	
			Singlewide	Doublewide	Singlewide	Doublewide	Singlewide	Doublewide	Singlewide	Doublewide
14 Wide (164") 28 Wide (328")	90"	24"	13.0	13.5	9.0	7.0	16.5	17.5	10.5	9.0
		36"	11.0	11.0	7.5	6.0	16.5	17.0	11.5	9.0
		48"	9.0	9.5	6.0	5.0	16.0	16.5	11.0	8.5
		67"	7.0	7.0	4.5	--	15.0	15.5	10.5	8.0
	96"	24"	12.5	13.0	9.0	7.0	15.5	16.5	9.5	9.0
		36"	10.0	10.5	7.0	5.5	15.5	16.0	11.0	8.5
		48"	8.5	8.5	6.0	4.5	15.0	15.5	10.5	8.5
		67"	6.5	6.5	4.5	--	14.0	14.5	10.0	8.0
	108"	24"	11.0	11.5	8.0	6.5	14.0	14.5	8.0	8.5
		36"	9.0	9.5	6.5	5.5	14.0	14.5	10.0	8.0
		48"	7.5	8.0	5.5	4.5	13.5	14.0	10.0	8.0
		67"	6.0	6.0	4.0	--	12.5	13.0	9.5	7.5
	120"	24"	10.0	10.5	7.0	6.0	13.0	13.5	7.0	8.0
		36"	8.5	8.5	6.0	5.0	12.5	13.0	8.5	7.5
		48"	7.0	7.0	5.0	4.0	12.5	12.5	9.0	7.5
		67"	5.5	5.5	4.0	--	11.5	12.0	8.5	7.0
16 Wide (187.5") 32 Wide (375")	90"	24"	14.5	15.5	7.5	7.5	17.0	17.5	7.5	8.5
		36"	13.0	13.5	8.5	6.5	16.5	17.0	10.0	8.5
		48"	11.0	11.5	7.5	5.5	16.0	17.0	11.0	8.5
		67"	9.0	9.5	6.0	4.5	15.5	16.0	10.5	8.0
	96"	24"	14.0	14.5	7.0	7.5	16.0	16.5	7.0	8.5
		36"	12.0	12.5	8.5	6.5	15.5	16.0	9.5	8.0
		48"	10.5	11.0	7.0	5.5	15.0	16.0	10.5	8.0
		67"	8.5	9.0	5.5	4.5	14.5	15.0	10.0	7.5
	108"	24"	12.5	13.0	6.0	7.0	13.5	15.0	6.0	8.0
		36"	11.0	11.5	7.5	6.0	14.0	14.5	8.0	7.5
		48"	9.5	10.0	6.5	5.0	13.5	14.0	9.5	7.5
		67"	7.5	8.0	5.5	4.0	13.0	13.5	9.0	7.0
	120"	24"	11.0	12.0	5.0	6.5	11.0	13.5	5.0	7.5
		36"	10.0	10.5	7.0	5.5	12.5	13.0	7.0	7.5
		48"	8.5	9.0	6.0	5.0	12.5	13.0	8.0	7.0
		67"	7.0	7.0	5.0	4.0	12.0	12.5	8.5	7.0

1. Values apply to 95.5" and 99.5" I-beam spacing.
2. Values include 16" eaves.
3. Ground anchors are assumed to be 2" from the exterior face of the sidewall.
4. All values are based on a ground anchor/strap capacity of 3150 lbs.
5. See the near beam and far beam strapping diagrams in this section.



APPROVED BY



Cavco Industries Inc

Install Stabilizing Systems

TABLE 24. WZ1 SIDEWALL FRAME ANCHOR SPACING. 10 (20) AND 12 (24) WIDES FOR 36" AND 57" PARAPETS

Maximum Transverse Strap Spacing, ft										
Floor Width	Maximum sidewall height	Height From Ground to Floor	Near Beam Method (See Note #1)				Far Beam Method			
			36" Max Parapet		57" Max Parapet		36" Max Parapet		57" Max Parapet	
			Singlewide	Doublewide	Singlewide	Doublewide	Singlewide	Doublewide	Singlewide	Doublewide
10 Wide (120") 20 Wide (240")	90"	24"	8.5	8.5	7.0	7.5	13.0	13.0	9.0	11.0
		36"	6.5	6.5	5.5	5.5	12.5	12.5	10.5	10.5
		48"	5.0	5.0	4.0	4.5	12.0	12.0	10.0	10.0
		67"	--	--	--	--	11.0	11.0	9.0	9.5
	96"	24"	8.0	8.0	7.0	7.0	12.0	12.5	8.5	10.5
		36"	6.0	6.0	5.0	5.5	12.0	12.0	9.5	10.5
		48"	5.0	5.0	4.0	4.0	11.5	11.5	9.5	10.0
		67"	--	--	--	--	10.5	10.5	9.0	9.0
	108"	24"	7.5	7.5	6.5	6.5	10.0	11.5	7.0	10.0
		36"	5.5	5.5	5.0	5.0	11.0	11.0	8.0	9.5
		48"	4.5	4.5	4.0	4.0	10.5	10.5	8.5	9.0
		67"	--	--	--	--	9.5	9.5	8.0	8.5
	120"	24"	7.0	7.0	6.0	6.0	8.5	10.5	6.0	9.5
		36"	5.0	5.0	4.5	4.5	9.5	10.0	7.0	9.0
		48"	4.0	4.0	--	--	9.5	10.0	7.5	8.5
		67"	--	--	--	--	9.0	9.0	7.5	8.0
12 Wide (144") 24 Wide (288")	90"	24"	8.5	8.5	7.0	7.5	13.0	13.5	11.0	11.5
		36"	6.5	6.5	5.5	5.5	12.5	13.0	11.0	11.0
		48"	5.0	5.0	4.0	4.5	12.5	12.5	10.5	10.5
		67"	--	4.0	--	--	11.5	12.0	10.0	10.0
	96"	24"	8.0	8.5	7.0	7.0	12.5	12.5	10.5	11.0
		36"	6.0	6.0	5.0	5.5	12.0	12.5	10.5	10.5
		48"	5.0	5.0	4.0	4.0	11.5	12.0	10.0	10.5
		67"	--	--	--	--	11.0	11.5	9.5	9.5
	108"	24"	7.5	7.5	6.5	6.5	11.5	11.5	9.5	10.0
		36"	5.5	5.5	5.0	5.0	11.0	11.5	9.5	10.0
		48"	4.5	4.5	4.0	4.0	11.0	11.0	9.5	9.5
		67"	--	--	--	--	10.0	10.5	9.0	9.0
	120"	24"	7.0	7.0	6.0	6.0	10.5	11.0	8.0	9.5
		36"	5.0	5.5	4.5	4.5	10.5	10.5	9.0	9.0
		48"	4.0	4.0	--	--	10.0	10.0	8.5	9.0
		67"	--	--	--	--	9.5	9.5	8.0	8.5

1. The near beam method for 10 and 20 wides may only be used when the I-beams are spaced at 75.5". 10 and 20 wides with 95.5" and 99.5" spacing must use the far beam method.
2. Unless otherwise noted, all values apply for 95.5", 99.5" spacing and 0" eaves.
3. All values are based on a ground anchor/strap capacity of 3150 lbs.
4. Ground anchors are assumed to be 2" from the exterior face of the sidewall.
5. Spacing given for parapets may be used for offset units and units with dormers.
6. See the near beam and far beam strapping diagrams in this section.



Install Stabilizing Systems

TABLE 25. WZ1 SIDEWALL FRAME ANCHOR SPACING. 14 (28) AND 16 (32) WIDES FOR 36" AND 57" PARAPETS

Maximum Transverse Strap Spacing, ft										
Floor Width	Maximum sidewall height	Height From Ground to Floor	Near Beam Method				Far Beam Method			
			36" Max Parapet		57" Max Parapet		36" Max Parapet		57" Max Parapet	
			Singlewide	Doublewide	Singlewide	Doublewide	Singlewide	Doublewide	Singlewide	Doublewide
14 Wide (164") 28 Wide (328")	90"	24"	10.5	10.5	9.0	9.0	13.0	13.5	9.5	11.5
		36"	8.5	8.5	7.0	7.5	13.0	13.0	11.0	11.0
		48"	7.0	7.0	6.0	6.0	12.5	13.0	10.5	11.0
		67"	5.5	5.5	4.5	4.5	12.0	12.0	10.0	10.5
	96"	24"	10.0	10.0	8.5	8.5	12.5	13.0	9.0	11.0
		36"	8.0	8.5	7.0	7.0	12.0	12.5	10.5	11.0
		48"	6.5	7.0	5.5	6.0	12.0	12.0	10.0	10.5
		67"	5.0	5.0	4.5	4.5	11.0	11.5	9.5	10.0
	108"	24"	9.0	9.5	7.5	8.0	10.5	12.0	7.5	10.0
		36"	7.5	7.5	6.5	6.5	11.0	11.5	9.5	10.0
		48"	6.0	6.5	5.5	5.5	11.0	11.0	9.5	9.5
		67"	4.5	5.0	4.0	4.0	10.5	10.5	9.0	9.0
	120"	24"	8.5	8.5	6.5	7.5	9.0	11.0	6.5	9.5
		36"	7.0	7.0	6.0	6.0	10.5	10.5	8.0	9.5
		48"	5.5	6.0	5.0	5.0	10.0	10.5	9.0	9.0
		67"	4.5	4.5	4.0	4.0	9.5	10.0	8.5	8.5
16 Wide (187.5") 32 Wide (375")	90"	24"	11.5	12.0	8.0	10.0	11.5	13.5	8.0	11.5
		36"	10.0	10.5	8.5	9.0	13.0	13.5	10.5	11.5
		48"	8.5	9.0	7.5	7.5	12.5	13.0	10.5	11.0
		67"	7.0	7.0	6.0	6.0	12.0	12.5	10.0	10.5
	96"	24"	10.5	11.5	7.0	10.0	10.5	13.0	7.0	11.0
		36"	9.5	10.0	8.5	8.5	12.5	13.0	9.5	11.0
		48"	8.5	8.5	7.0	7.5	12.0	12.5	10.5	10.5
		67"	6.5	7.0	5.5	6.0	11.5	12.0	10.0	10.0
	108"	24"	8.5	10.5	6.0	9.0	8.5	12.0	6.0	10.5
		36"	9.0	9.0	7.5	8.0	11.5	11.5	8.0	10.0
		48"	7.5	8.0	6.5	7.0	11.0	11.5	9.5	10.0
		67"	6.0	6.5	5.5	5.5	10.5	11.0	9.0	9.5
	120"	24"	7.0	9.5	5.0	8.5	7.0	11.0	5.0	9.5
		36"	8.0	8.5	7.0	7.5	9.5	11.0	7.0	9.5
		48"	7.0	7.5	6.0	6.5	10.0	10.5	8.0	9.0
		67"	5.5	6.0	5.0	5.0	10.0	10.0	8.5	9.0

1. Unless otherwise noted, all values apply for 95.5" and 99.5" spacing.
2. Values include 0" eaves.
3. Ground anchors are assumed to be 2" from the exterior face of the sidewall.
4. All values are based on a ground anchor/strap capacity of 3150 lbs
5. Spacing given for parapets may be used for offset units and units with dormers.
6. See the near beam and far beam strapping diagrams in this section.



APPROVED BY



Cavco Industries Inc

Install Stabilizing Systems

TABLE 26. WZ1 SIDEWALL FRAME ANCHOR SPACING, 18 WIDE FOR 4.3/12, 6/12 ROOF AND 36", 57" PARAPETS

Maximum Transverse Strap Spacing, ft										
Floor Width	Maximum sidewall height	Height From Ground to Floor	Near Beam Method				Far Beam Method			
			Roof Slope Under		Parapet Height Under		Roof Slope Under		Parapet Height Under	
			4.3 / 12	6 / 12	36"	57"	4.3 / 12	6 / 12	36"	57"
18 Wide (208.5")	90"	24"	16.0	6.5	10.0	6.5	17.5	6.5	10.0	6.5
		36"	14.5	9.0	11.0	9.0	17.0	9.0	13.0	9.0
		48"	13.0	8.0	10.0	8.5	17.0	10.5	13.0	11.0
		67"	11.0	7.0	8.0	7.0	16.0	10.5	12.0	10.5
	96"	24"	15.0	6.0	9.0	6.0	16.5	6.0	9.0	6.0
		36"	13.5	8.0	10.5	8.5	16.0	8.0	12.5	8.5
		48"	12.0	8.0	9.5	8.0	16.0	9.5	12.0	10.0
		67"	10.0	6.5	8.0	6.5	15.0	10.0	11.5	10.0
	108"	24"	13.5	5.0	7.5	5.0	13.5	5.0	7.5	5.0
		36"	12.5	7.0	9.5	7.0	14.5	7.0	10.0	7.0
		48"	11.0	7.5	8.5	7.5	14.0	8.5	11.0	8.5
		67"	9.0	6.0	7.0	6.0	13.5	9.0	10.5	9.5
	120"	24"	10.5	4.0	6.0	4.5	10.5	4.0	6.0	4.5
		36"	11.0	6.0	8.5	6.0	13.0	6.0	8.5	6.0
		48"	10.0	7.0	8.0	7.0	13.0	7.0	10.0	7.5
		67"	8.5	5.5	6.5	6.0	12.5	8.5	10.0	8.5

1. Values apply to 95.5" and 99.5" I-beam spacing.
2. Values include 4" eaves for pitched roofs and 0" eaves for parapet roofs.
3. Ground anchors are assumed to be 2" from the exterior face of the sidewall.
4. All values are based on a ground anchor/strap capacity of 3150 lbs
5. Spacing given for parapets may be used for offset units and units with dormers.
6. See the near beam and far beam strapping diagrams in this section

SIDEWALL VERTICAL ANCHORS

Homes designed for Wind Zones II and III also require vertical tie-downs along the sidewalls. The vertical tie-down anchor straps (or brackets for connecting to the home) are factory installed and indicate the locations. Vertical and frame sidewall tie-downs may connect to one double-headed anchor or each to its own dedicated anchor.

Any factory-installed sidewall tie-down straps must be connected to a ground anchor regardless of the wind zone in which the home is placed.

END WALL FRAME ANCHORS

End wall frame tie-downs are especially important for homes that are wider and have higher roof pitches because those features increase the surface area exposed to wind loads at the ends of the home. Use **Table 27** to determine the number of end wall frame anchors required at the each end of each home section.



Cavco Installation Manual

APPROVED BY



Cavco Industries Inc

SU-75

Install Stabilizing Systems

TABLE 27. ENDWALL FRAME ANCHORS (LONGITUDINAL) REQUIRED ON EACH END OF THE HOME

Number of Longitudinal Straps On Each Side of Unit, 45° and 26.5°										
Floor Width	Maximum sidewall height	Max. Strap Angle	Roof Slope Under 4.36 /12		Roof Slope Under 6 /12		36" Max Parapet		57" Max Parapet	
			Singlewide	Doublewide	Singlewide	Doublewide	Singlewide	Doublewide	Singlewide	Doublewide
10 Wide 20 Wide	96"	45°	1	2	1	3	1	2	2	3
		26.5°	1	2	1	2	1	2	1	2
	120"	45°	1	3	2	3	2	3	2	3
		26.5°	1	2	1	2	1	2	1	3
12 Wide 24 Wide	96"	45°	2	3	2	3	2	3	2	3
		26.5°	1	2	1	3	1	2	2	3
	120"	45°	2	3	2	4	2	3	2	4
		26.5°	1	3	2	3	1	3	2	3
14 Wide 28 Wide	96"	45°	2	3	2	4	2	3	2	4
		26.5°	1	3	2	3	1	3	2	3
	120"	45°	2	4	2	4	2	4	2	4
		26.5°	2	3	2	3	2	3	2	3
16 Wide 32 Wide	96"	45°	2	4	2	4	2	4	2	4
		26.5°	2	3	2	3	2	3	2	3
	120"	45°	2	4	2	5	2	4	3	5
		26.5°	2	4	2	4	2	3	2	4
18 Wide (208.5")	96"	45°	2	--	2	--	2	--	2	--
		26.5°	2	--	2	--	2	--	2	--
	120"	45°	2	--	2	--	2	--	3	--
		26.5°	2	--	2	--	2	--	2	--

1. For units larger than a doublewide, add values from the table (Example, for a triplewide add the required straps for a singlewide and doublewide. For a quad, double the values required for a doublewide.)

END WALL VERTICAL ANCHORS

Locate anchors under any factory installed end wall straps or tiedown brackets. This will be primarily for homes in Wind Zones II and III.

SHEARWALL ANCHORS (WIND ZONES II AND III ONLY)

Shearwalls are sections of interior or exterior wall engineered to withstand racking forces. In Wind Zones II and III, there must be two tie downs and anchors per shear wall – one at each end of the wall. There may be manufacturer-installed brackets indicating required shearwall tie-down locations. If brackets are not present at one or the other end of a shearwall, then a vertical tie-down must be connected to the I-beam within eight inches of the shearwall location (the shearwall location may be identified by tags or paint).

Each shearwall tie-down requires a dedicated anchor. Do not connect shearwall tie-downs to the same anchor as frame or other tie-downs.



APPROVED BY



Cavco Industries Inc

MARRIAGE LINE VERTICAL ANCHORS (WIND ZONES II AND III ONLY)

In Wind Zones II and III, marriage line anchors are required at each column along the marriage wall.

There may be manufacturer-installed brackets indicating required tie-down locations (may be identified by tags or paint). If brackets are not present, then an alternative acceptable connection method, such as steel angles (provided by the manufacturer) must be used (Figure 89). If necessary to avoid interference with piers, the tie-down location may be offset horizontally from the column by a maximum of 12 inches.

TAG UNIT FRAME ANCHORS

Tag units whose frame rails are parallel to the main unit's frame rails are known as "parallel tags". Tag units whose frame rails are perpendicular to the main unit's frame rails are known as "perpendicular tags". The wall(s) between the main unit and tag unit (where the tag unit abuts to the main unit) are known as "common walls".

Parallel Tags – There are no frame anchors required at the common walls between main units and tag units. The parallel tag sidewalls must be anchored using sidewall frame anchor spacing for doublewides. Tag endwalls must be anchored using endwall frame anchor requirements for singlewides.

Perpendicular Tags – There are no frame anchors required at the common walls between main units and tag units. Perpendicular tag sidewalls run perpendicular to the main unit sidewalls and must be anchored as a stand alone unit using sidewall frame anchor spacing. The free perpendicular tag endwall must be anchored using endwall frame anchor requirements.

TAG UNIT VERTICAL ANCHORS

Not required for WZ1

PORCH POST ANCHORS

Typically not required. To be installed if specified on plan

OFFSET UNIT ANCHORS

The offset portion of a home needs to be anchored using sidewall frame anchor spacing requirements depending on the configuration of the offset.

Example: If the home is a doublewide with a typical 4/12 roof pitch and an 8 foot offset, the mateline section of the offset must be anchored per spacing for a singlewide with a parapet. Use the matewall height as the sidewall height and the truss height as the parapet height to find the appropriate values.

STEP 2. DETERMINE TIE-DOWN CONFIGURATION

There are two primary tie-down configurations: the near beam and the far beam methods. If the anchor spacing in the anchor tables give spacing for both near beam and far beam method, only one method can be used per anchor location see Figure 79. Each method varies by wind zone as described below.

- **Near beam method.** For all Wind Zones, connect an anchor strap from the anchor head to the I-beam closest to the anchor. In addition for Wind Zones II and III, connect a vertical strap from the sidewall of the home to the anchor head using a double-headed anchor.
- **Far beam method.** For Wind Zone I connect anchor straps from the anchor head (using a double-headed anchor) to both of the home's main I-beams. For Wind Zones II and III connect one anchor strap from the anchor head (using a double-headed anchor) to the home's far I-beam and one to the sidewall of the home.



When to install marriage line anchors. Anchors along the marriage line must be installed prior to the second half of a multi-section home being set.

Cavco Installation Manual

APPROVED BY



Cavco Industries Inc

Install Stabilizing Systems

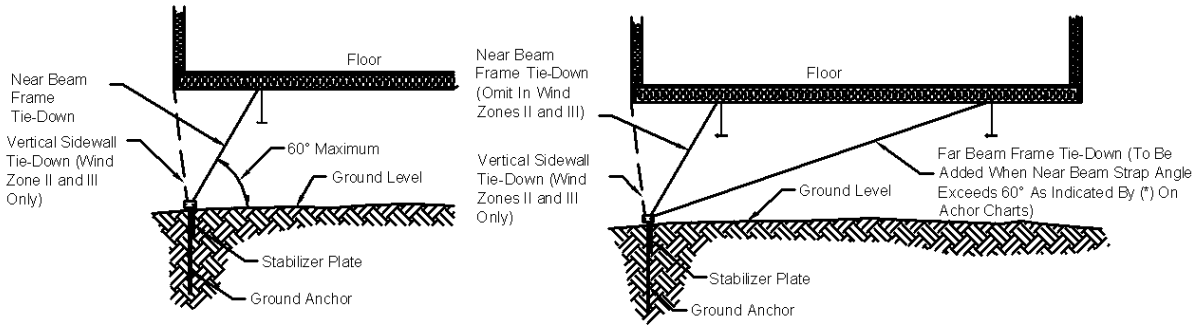


Figure 79. Lateral tie-down configurations

STEP 3. SELECT ANCHORS

Use the torque probe results from **Prepare the Site, STEP 5. DETERMINE SOIL-BEARING CAPACITY AND FROST LINE** (p. 15) and the anchor manufacturer instructions; select the type and length of anchor to use. The installed ground anchor size (length) must be listed (i.e. approved) for the soil class.

Make sure the anchor is of sufficient length such that the top of the helix is below the frost line. Select a shaft diameter sufficient to resist excessive torsion, “ring-off” (when the helix or anchor head separates from shaft) or shaft splitting. Consult the anchor supplier for guidance.

Review all of **STEP 3. INSTALL ANCHORS** (p. 78) and **STEP 4. INSTALL STRAPS** (p. 78) before making final anchor selections to determine when single-headed vs. double-headed anchors should be used. Follow the specifications in **Table 28** when selecting stabilizing system components.

TABLE 28. ANCHOR SYSTEM MATERIALS SPECIFICATIONS

Component	Specification
Anchors	Anchors must be tested and listed to resist a minimum ultimate load of 4,725 lbs and a minimum allowable working load of 3,150 lbs or ultimate and corresponding working load limited by soil conditions and anchor length. The working load is the maximum load the designer can use. Ground anchors must be provided with protection against weather deterioration and corrosion at least equivalent to that provided by a coating of zinc on steel of not less than 0.30 oz per sq ft of surface coated.
Straps	Straps must be minimum 1-1/4" x 0.035" zinc-coated (0.30 oz per sq ft) steel strapping conforming to ASTM D3953-97, Type 1, Grade 1, Finish B with a minimum allowable working load capacity of 3,150 lbs and a minimum ultimate load of 4,725 lbs. Slit or cut edges of zinc-coated strapping do not need to be zinc coated.
Stabilizer plates	The size and type of stabilizer plate, if required by the ground anchor manufacturer, will be specified in the anchor manufacturer's instructions. Stabilizer plates must be provided with protection against weather deterioration and corrosion at least equivalent to that provided by a coating of zinc on steel of not less than 0.30 oz per sq ft of surface coated. Alternatively, ABS stabilizer plates may be used when listed and certified for such use.

STEP 4. INSTALL ANCHORS

Before beginning anchor installation, check for obstructions under the home such as piers and frame members that may interfere with the tie down strapping. Check with utility companies to determine the location of underground utilities, such as electrical and phone lines, and water, sewer, and gas pipes that may be buried in potential anchor locations. Also check for homeowner-installed wires and pipes, such as those connecting exterior lighting or sheds to the home. These must also be avoided.

FRAME ANCHORS

Frame anchors can be installed in two ways, in-line and against a stabilizer plate. The two methods are discussed below:

In-Line Configuration

The in-line configuration (**Figure 80**) for homes can be used in Wind Zone I only. Typically, in-line anchors are used under high homes where the anchors can be installed from under the home after the home is set. In-line anchors can also be installed before



Grading area around anchors. Anchor heads should not rest in sunken spots. Grade the ground so that water does not collect around anchor heads, but runs away from the anchor and out from under the home. Do not bury anchor heads.

APPROVED BY



Cavco Industries Inc

Install Stabilizing Systems

the home is set, however, precisely aligning the anchor with the home both vertically and horizontally is difficult. Using swivel connectors for the strap to beam connection can provide some horizontal flexibility.

To install in-line frame anchors, drive the anchor into the ground at an angle and location such that a straight line can be drawn from the tip of the anchor through the anchor head and to the connection point on the I-beam (**Figure 81**).

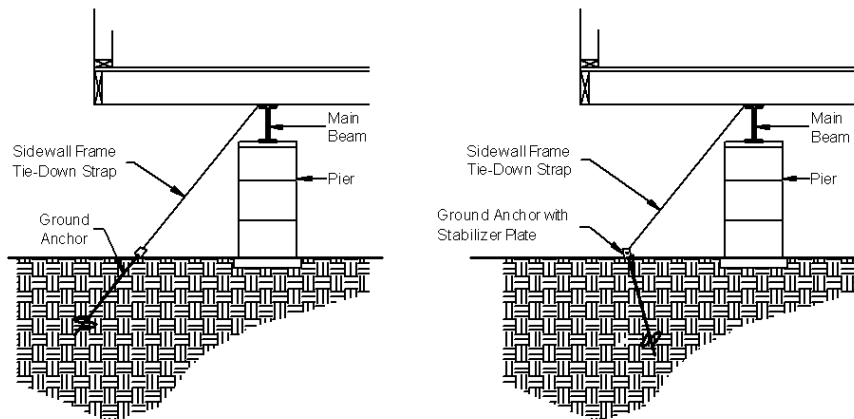


Figure 80. In-line anchor configuration

Figure 81. Stabilizer plate configuration

Stabilizer Plate Configuration

Stabilizer plate configurations (**Figure 81**) are suitable for homes in all wind zones. Anchors may be installed after the home is set. A stabilizer device, typically an ABS or metal plate, is used to prevent the top of the anchor from slicing through the soil when the load is applied. Stabilizer plates are available in a variety of widths. Choose the widest plate that can be driven into the soil to maximize resistance to movement. The LAHJ may have stabilizer plate requirements.

Install anchors with stabilizer plates as follows:

1. **Locate anchor.** Select a location for the anchor under the home but within six inches of the exterior wall (**Figure 82**). Avoid locations that will interfere with skirting.

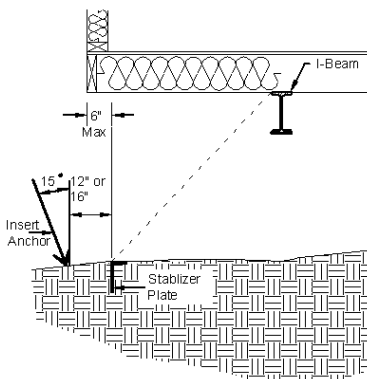


Figure 82. Determining anchor and stabilizer plate location

2. **Install anchor.** To assure that the anchor attachment point will end up at the stabilizer plate, start the anchor insertion approximately 12 inches back from the desired location if using a 48 inch long anchor, or approximately 16 inches if using a 60 inch long anchor. Install the anchor at about 15 degrees off vertical, with the head tilted away from the home. Install the anchor to a depth of approximately one half its length.
3. **Drive stabilizer plate.** Drive the stabilizer plate into the ground to its full depth at the point determined in Step 1.
4. **Complete anchor installation.** Screw the anchor the rest of the way into the ground. The finished anchor must be installed to its full depth.



Soil depression.
Do not locate anchor heads in soil depressions where water may pool.

APPROVED BY



Cavco Industries Inc

SU-79

Install Stabilizing Systems

VERTICAL ANCHORS

To install vertical anchors, screw the anchor into the ground directly under the strap attachment point on the home until the bottom of the anchor head is flush with the ground or no more than one inch above grade.

STEP 5. INSTALL STRAPS

Follow the instructions below to connect straps from the home to sidewall frame, end wall frame and vertical anchors.

Always protect straps at sharp corners including around I-beams with radius clips or other methods (**Figure 83**). Radius clips may be fabricated from 26ga (min) by 1 1/4-inch wide galvanized steel strap formed to fit around corners.

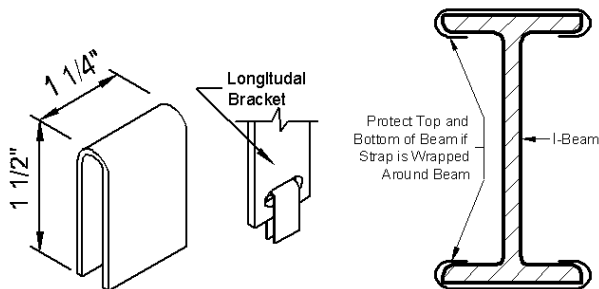


Figure 83. Radius clips

SPLICING STRAPS

Splicing may be required when a pre-cut strap is of insufficient length. Splices in tie-down straps are not permitted in a 'Y' configuration. Overlap straps by 12 inches, applying one splice clip from above and the other from below; use a crimping tool to tightly seal the splice clips (**Figure 84**). Do not run any portion of the splice through an anchor head bolt.

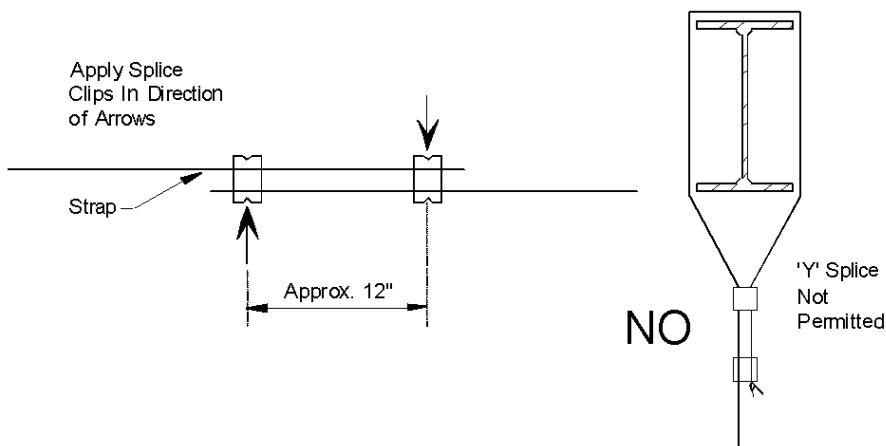


Figure 84. Tie-down strap splice

SIDEWALL FRAME ANCHORS

Install straps to sidewall frame anchors as follows:

1. **Connect strap to home.** Connect one end of the strap to the home connection point using approved buckles or clips (swivel or hook clip preferred).

APPROVED BY



Cavco Industries Inc

SU-80

Install Stabilizing Systems

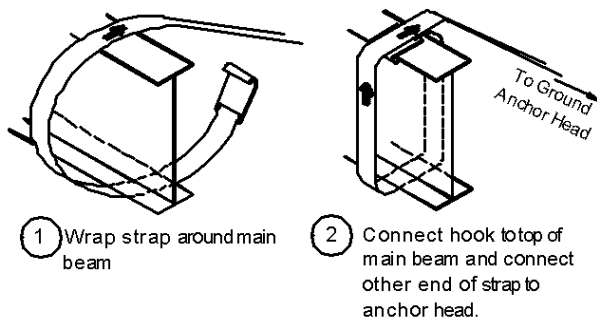


Figure 85. Strap to beam connection



Strap to beam connection. Regardless of the strap supplier's recommendations, the strap must be connected to the top of the main beam to prevent damage to the structure.

2. **Connect strap to anchor.** Connect the other end of the strap to the split bolt in the anchor. Leave enough strap length to be able to make at least three, but no more than five complete turns around the bolt before it becomes tight (approximately 2 1/2 inches per turn or 7 1/2 to 13 inches total). Fewer than three turns and the strap may not hold onto the bolt when force is applied. Conversely, more than five turns may not fit within the U-channel of the anchor head. Follow the procedure outlined in **Figure 86**.

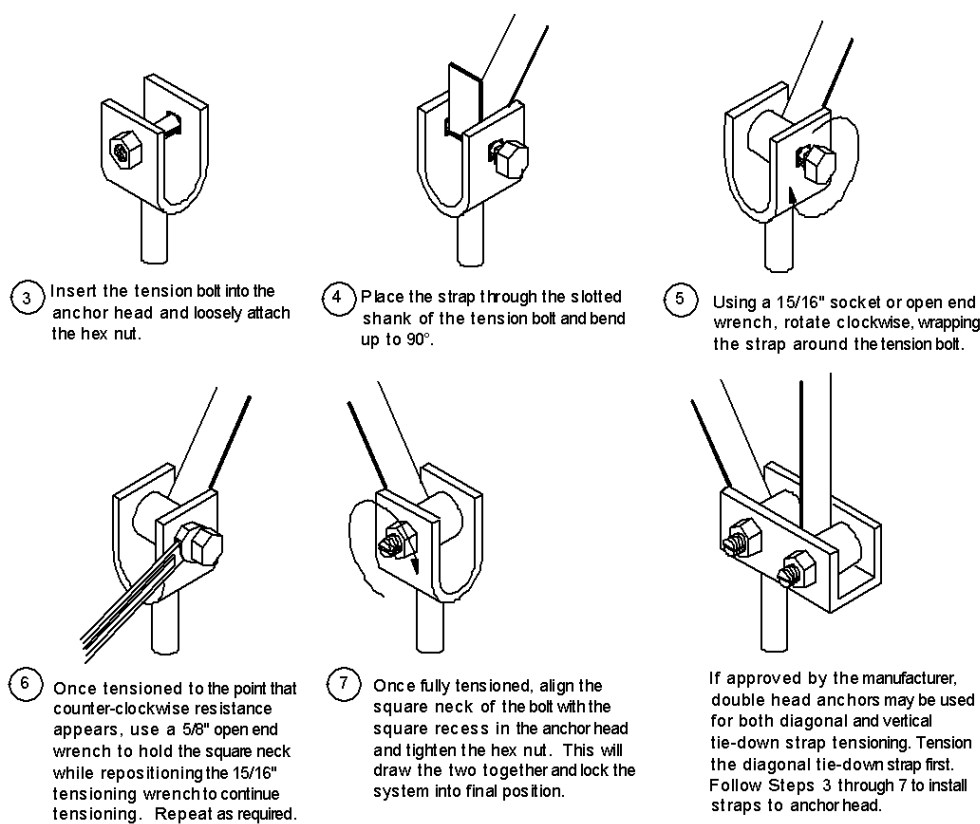


Figure 86. Procedure for connecting the strap to frame and anchor



Anchor head location. As the anchor is pulled up to meet the stabilizer plate,

3. **Pretension anchor.** For anchors with stabilizer plates, pretension the anchor by pulling it up to the stabilizer plate using the strap and take-up bolt to move the anchor head. Continue pulling the strap until the plate moves a small amount (about 1/2 inch). This is called packing the plate and it will yield the strongest resistance (the bottom of the anchor head should be maximum 1/4 inch above the top of the stabilizer plate).

END WALL FRAME ANCHORS APPROVED BY

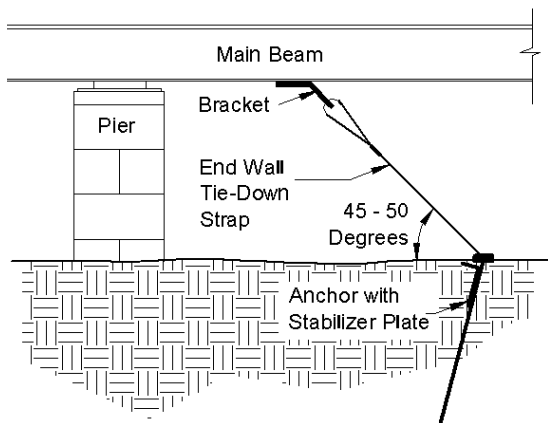


Cavco Industries Inc

SU-81

Install Stabilizing Systems

Attach straps to the bracket welded by the manufacturer to the frame (**Figure 87**). If no brackets have been installed, use approved beam clamps designed specifically for this purpose, available from anchor suppliers. Connect straps to anchors following same procedure as for sidewall frame anchors.



the head of the anchor will rise. In its final position, the bottom of the anchor head should be no more than 1/4 inch above the top of the stabilizer plate.

Figure 87. End wall frame anchor attachment method. Angles shown are for illustration. Use 45° or 26.5°

VERTICAL ANCHORS

If vertical straps have been attached to the home by the manufacturer, connect the other end of the straps to the anchor heads. If not, install the strap from one head of a double-headed anchor, up through the brackets (if provided) (**Figure 88**) or around the I-beam (**Figure 89**) and down to the other anchor bolt in a continuous loop.

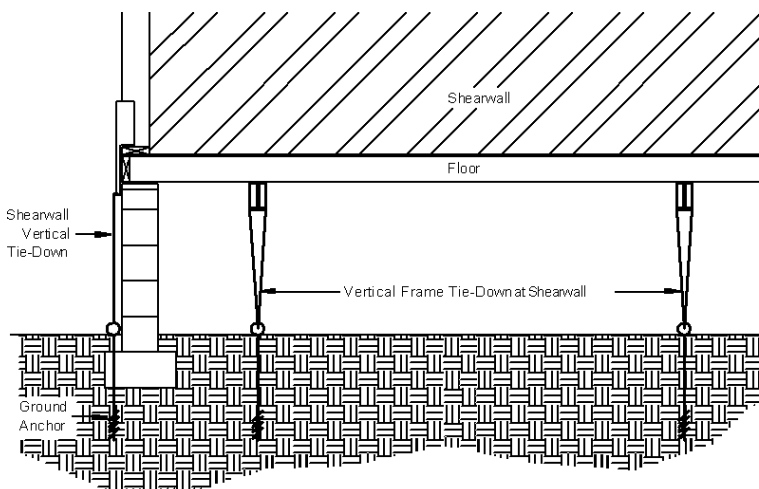


Figure 88. Vertical tie-downs

For marriage line vertical tie-downs where brackets have not been factory installed, install provided steel angles in straps as shown in **Figure 89**.

APPROVED BY



Cavco Industries Inc

Install Stabilizing Systems

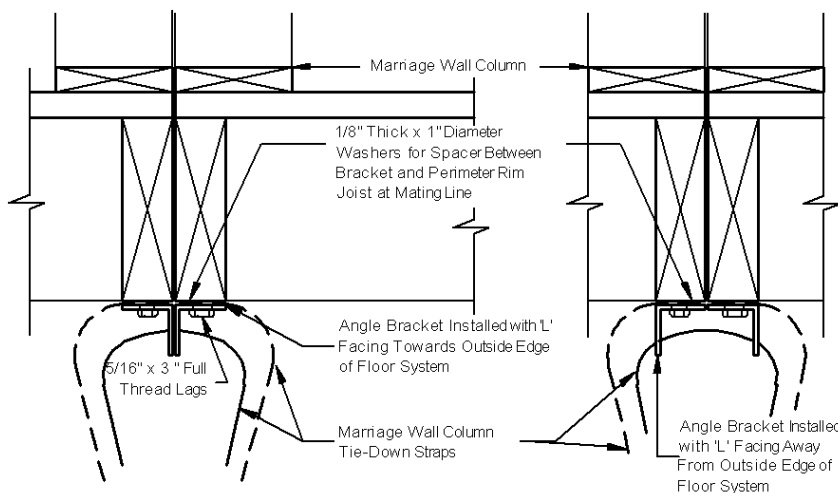


Figure 89. Marriage line tie-down connections using steel angles. Strap may run between steel angle and rim joist (shown as dashed line)

STEP 6. TIGHTEN AND ADJUST STRAPS

After all anchors have been installed and pre-tensioned, recheck all anchor straps to assure that they are tight and that the anchor shafts have remained in contact with the stabilizer plates. Do not over-tension straps.

▶ go to **Connect Utilities** (p. 84)

Cavco Installation Manual

Connect Utilities

Connect Utilities

This chapter contains procedures and requirements for the connection and testing of utility hook-ups. Responsibility for making utility connections varies by location. Consult the LAHJ and the utility before connecting the home to any utilities.

Follow the Steps below:

- ▼ STEP 1. CONNECT ELECTRICAL SERVICE (p. 84)
- ▼ STEP 2. CONNECT WATER SERVICE (p. 87)
- ▼ STEP 3. CONNECT GAS SERVICE (p. 90)

STEP 1. CONNECT ELECTRICAL SERVICE

The home is designed for connection to an electrical wiring system rated at 120/240 volt AC. All electrical field work must be done by a licensed electrician or other person approved by the LAHJ.

FEEDER WIRE AND EQUIPMENT SIZES

The current rating (in amperes) of the home can be found on the tag located on the outside next to the feeder or service entrance, and on the electrical distribution panel. Using this information, determine the required feeder wire size from **Table 29**. These sizes are based on an ambient temperature of 86 degrees Fahrenheit and do not take voltage drop into consideration.

Acceptable conductor types are: RHH, RHW, RHW-2, THHN, THHW, THW, THW2, THWN, THWN-2, XHHW, XHHW-2, SE, USE, and USE-2.

TABLE 29. ELECTRICAL FEEDER WIRE AND EQUIPMENT SIZES FOR COPPER CONDUCTORS

Main Breaker Size in Panel Box (AMPS)	Max. Neutral Feeder Load (AMPS)	Junction box size	Minimum Size Raceway Conduit Diameter (in)	Conductors (Cu)			
				Red & Black (Power)	White (Neutral)	Green (Grounding)	Bare Ground
50	35	NA	1	#4 AWG	#8 AWG	#10 AWG	#8
100	70	10x10x4	1-1/4	#4 AWG	#4 AWG	#8 AWG	#8
200	140	10x16x4	2	2/0 AWG	1/0 AWG	#6 AWG	#4
225	158	10x16x4	2	3/0 AWG	2/0 AWG	#4 AWG	#4
400	280	10x24x4	3	400 kcmil	300 kcmil	#3 AWG	1/0



Special precautions when installing electrical service. Installation of the electric power to the home can cause exposure to live electrical circuits. Exposure to live electrical circuits or improper grounding of the conductor in the panel board may result in severe shock or possible electrocution. A qualified installer must make the connections for the electric power.

APPROVED BY



Cavco Industries Inc

Connect Utilities

FEEDER CONNECTIONS

Feeder connections are made from above or from below the home as follows:

From above – mast weatherhead feeder

The routing, connection, and support of the service drop must meet local codes. Homes equipped this way contain all necessary conduits to the electrical distribution panel. However, the feeder conductors (not provided with the home) are installed on site. If the masthead is located above the roof overhang, allow a minimum clearance of eight feet above all roof points that the conductors pass over. There are two exceptions to this rule: (1) The vertical clearance may be reduced to three feet if the roof has a minimum slope of 4 in 12; and (2) The vertical clearance may be reduced to 18 inches if no more than four feet of service-drop conductors pass above the roof overhang, and if they terminate at a through-the-roof raceway or approved support. A minimum clearance must also be provided from the final grade to the service-drop conductors. This measurement may vary from 10 feet to 18 feet, depending on the types of traffic anticipated below the service drop (refer to the NEC). Unless impractical, locate service heads above the point of attachment of the service-drop conductors and make them rain-tight. If individual conductors do not extend downward, form drip loops.

From below – underside junction box feeder

A section of conduit is factory installed through the floor cavity. Connect to that conduit with approved fittings and conduit (not provided with the home) to the point where the service entrance cable enters the crawl space. Install properly-sized service entrance conductors from the main power supply to the panel board. Depending on the location of the main panelboard inside the home, or the point at which the service entrance conductors enter the crawl space, a separate service disconnect may be required. Refer to **Table 29** for the conductor and junction box requirements. The installer must provide the supply connection including the feeder conductors, junction box, and conduit connectors. Protect conductors emerging from the ground from a minimum of 18 inches below grade to eight feet above grade, or to the point of entrance to the home. The distance measured from the top surface of a buried cable, conduit, or raceway to the finished grade must meet the minimum burial requirements outlined in the NEC. Use a moisture-proof bushing at the end of the conduit from which the buried cable emerges.

GROUNDING

The home must be properly grounded to protect the occupants. The only safe and approved method of grounding the home is through an electrically-isolated grounding bar in the manufactured home distribution panel board. This grounds all non-current-carrying metal parts to the electrical system in the home at a single point.

Each neutral conductor must be connected to the system grounding conductor on the supply side of the main disconnect in accordance with Articles 250.24, 250.26, and 250.28 of the National Electrical Code, NFPA No. 70-2005.

Where the meter base has a disconnect (typically when the meter is more than 6 feet from the service electric panel, although this may vary by LAHJ) the ground and neutral should be bonded at that disconnect and then grounded to the driven earth ground. Four wires will leave the service electric panel to the disconnect. Three wires will enter the disconnect from the meter base (refer to **Figure 90**).

Where there is no disconnect on the meter base or between the meter base and service electric panel (typically when the meter is within 6 feet from the service electric panel, although this may vary by LAHJ), the main circuit breaker in the service electric panel becomes the first disconnect. In this case, the neutral and ground are bonded in the service electric panel and connected to the driven earth ground from the service electric panel. Three wires lead between the meter base and the service electric panel (refer to **Figure 91**).



Power supply. A large enough power supply must be available at the site. An inadequate power supply may result in improper operation of and possible damage to motors and appliances. It may also increase electricity costs.



Grounding the electrical system. Do not provide electrical power until the grounding electrode is installed and connected. When the meter base is not on the house never use the neutral conductor of the feeder cable as a ground wire.

Circulation Manager

APPROVED BY



Cavco Industries Inc

SU-85

Connect Utilities

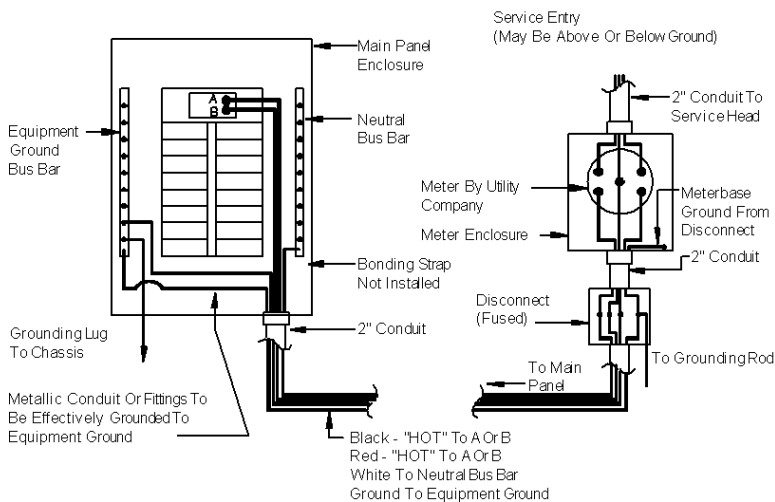


Figure 90. Electrical feeder connection when meter has a disconnect installed (typically more than 6 feet from service electric panel).

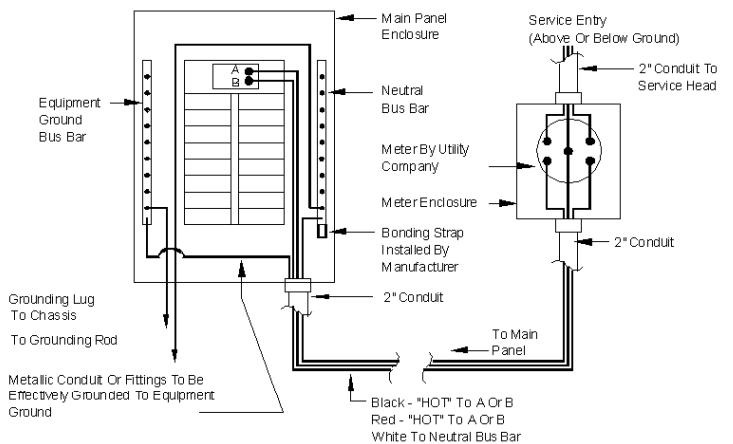


Figure 91. Meter base wiring when there is no separate disconnect installed (typically within 6 feet of service electric panel).

In all cases, a grounding electrode conductor and a ground wire must be installed according to the following specifications:

1. Grounding wire to be per **Table 29** provided by the manufacturer. If manufacturer provides a minimum 1/2 inch EMT or conduit raceway, the #6 minimum bare copper wire is provided by the retailer for installation.
2. The clamp connecting the grounding wire to the electrode shall be suitable for direct burial and located flush or below ground level.
3. Use a listed 5/8 inch diameter by eight foot long iron electrode or nonferrous rod of at least 1/2 inch diameter by eight feet long for grounding (larger sizes may be required by the LAHJ due to soil impedance).
4. Drive the electrode to a depth of not less than eight feet so that at least eight feet of the electrode is in contact with the soil.
5. When rock is encountered, the electrode may be driven at an angle not to exceed 45 degrees from vertical or buried in a trench that is at least 2-1/2 feet deep.

FIELD INSTALLED METER BASE

When a meter base is installed in the field, **Figure 92** and the following requirements must be adhered to:

- Install the meter base according to the manufacturer's instructions.
- Use straps to support any conduit. Do not use the meter base equipment for

APPROVED BY

support.

- Use exterior equipment and enclosures listed as weatherproof and entrance conductors listed for wet locations.
- The grounding bar may be installed separate from the neutral bar for purposes of testing the electrical system.
- The grounding bar may be isolated during the electrical check and re-attached, after the tests are completed.
- Check with the local electrical utility to verify meter base requirements and locations and distances for the main panel and meter box.
- The field installed meter base enclosure must be installed in accordance with its listing. Fasten securely to exterior wall studs and provide for a weather-tight seal.
- Check the local code for any requirements regarding the location of the meter base.

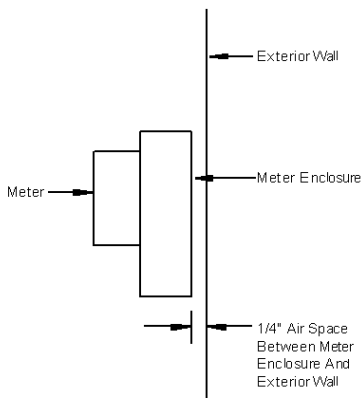


Figure 92. Meter base clearances.

STEP 2. CONNECT WATER SERVICE

CONNECTION

To connect the home's water system to the water source, identify the water inlet located under the home (usually below the water heater compartment or utility room) and follow the procedure described below (refer to Figure 93):

1. **Flush pipe.** Flush field-installed water piping free of all debris prior to connection to the home's water inlet.
2. **Clean threads.** Ensure that pipe threads are clean.
3. **Install pressure-reducing valve.** If the local water supply exceeds 80 psi install a pressure-reducing valve.
4. **Connect valve.** Install a main shut-off valve between the water supply and the inlet on the home. Locate the riser for the shutoff valve underneath or adjacent to the home. Select a full flow gate or ball shutoff valve, or equivalent valve. To prevent the possibility of fresh water contamination install an anti-siphon valve on all field installed exterior faucets.



Selecting heat tape. Use only pipe-heating cable (tape) listed for manufactured homes, and install it in accordance with the cable (tape) manufacturer installation instructions.

Maximum water pressure. The water system for the home was designed for a maximum inlet pressure of 80 psi.

Cavco Industries Inc.

APPROVED BY



Cavco Industries Inc

SU-87

Connect Utilities

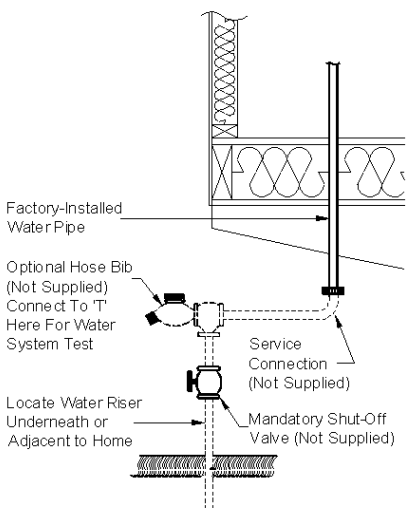


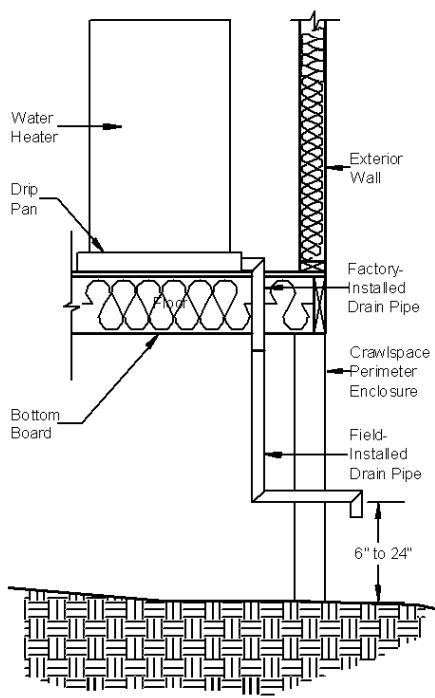
Figure 93. Water system connection

5. **Install water heater discharge drain.** Inspect the drain opening on the water heater to ensure that it is clear of any obstruction. If the home is to be installed on a basement or enclosed crawlspace, install drain pipe connecting the discharge from the water heater temperature and pressure relief valve to the outside or to a sump.
6. **Install water heater drip pan drain.** Assure that the drain for the water heater drip pan does not terminate under the home. Using the materials provided and the accompanying instructions run a drain line from the water heater drip pan through the wall or floor to the exterior of the crawl space. Terminate the line between six and 24 inches above grade. (Figure 94). Make the termination point rodent proof.



Using check valves. Install a check valve on the water inlet to prevent water system drainage in the event of a loss of water pressure from the source. Such pressure loss could cause the water heater to drain, exposing the heating elements of electric water heaters causing them to fail.

Figure 94. Water heater drip pan and drain



Cavco Installation Manual

Connect Utilities

- 7. Insulate.** In areas subject to freezing temperatures, protect with insulation or heat tape pipes, valves and pressure reducers that are exposed to the outdoors; and pipes in water heater compartments with non-insulated doors. Connect heat tape to the electrical outlet under the home near the water supply inlet.

TESTING

After testing the electrical system and connecting the water lines check the water system for leaks using one of the procedures described below. Before testing, close all water faucets, spigots, and toilet-tank float valves.

Hydrostatic (preferred):

- 1. Bypass water heater.** Bypass the hot water heater by disconnecting the hot outlet and cold inlet water lines from the water heater and joining them together. This will protect the hot water tank from damage and protect those involved in the test from possible injury.
- 2. Fill water heater.** Confirm that the water heater tank is full of water.
- 3. Pressurize system.** Connect a hydrostatic pump, valve, and gauge to the location shown in **Figure 93**. Pressurize the system with water at 100 psi, and then isolate it from the pressure source. Bleed all air from the highest and farthest points in the system.
- 4. Hold pressure.** Monitor the pressure for at least 15 minutes.
- 5. Fix leaks.** If the pressure drops below 100 psi, locate and correct any leaks by cutting out and discarding bad pipe sections or joints and installing new pipe or joints with couplings.
- 6. Repeat.** Repeat the test until all leaks have been eliminated.

Pneumatic:

- 1. Bypass water heater.** Bypass the hot water heater by disconnecting the hot outlet and cold inlet water lines from the water heater and joining them together. This will protect the hot water tank from damage and protect those involved in the test from possible injury.
- 2. Pressurize system.** Connect an air pump and pressure gauge to the water inlet, pressurize the system to 100 psi and isolate the pressure source from the system.
- 3. Hold pressure.** Monitor the pressure for least 15 minutes. If the pressure drops below 100 psi, locate any leaks by applying soapy water to the connections and looking for bubbles.
- 4. Fix leaks.** Correct any leaks by cutting out and discarding bad pipe sections or joints and installing new pipe or joints with couplings.
- 5. Retest.** Repeat the procedure until all leaks have been eliminated.
- 6. Restore connections.** Reconnect the water heater and the water supply.

FREEZE PROTECTION FOR UNOCCUPIED HOMES

If the home is to be left unheated in cold weather, protect water lines from freezing as follows:

- 1. Disconnect supply.** Turn off the water supply and disconnect the water supply inlet.
- 2. Drain water heater.** Turn off the water heater; if necessary, attach a hose to the valve to direct water away from under the home, open the drain valve and drain the tank completely.
- 3. Drain faucets.** Open all faucets throughout the home (including the laundry area if plumbed, and any exterior faucets) and let them drain completely.
- 4. Drain toilets.** Flush toilets and drain water tanks completely.
- 5. Close faucets.** Close all water faucets with the exception of one.
- 6. Connect compressor.** Connect a maximum of 30 psi air supply to the water inlet connection using a low pressure compressor.
- 7. Open faucets.** With the air supply on the system, open one faucet at a time throughout the home.



Selecting heat tape. Use only pipe-heating cable (tape) listed for manufactured homes, and install it in accordance with the cable (tape) manufacturer installation instructions.

Testing water lines. Only use pneumatic (air) testing when hydrostatic testing is not practical. Air under pressure is explosive. Exercise extreme caution and notify all site personnel of the test. Wear protective eyewear and take precautions to prevent impact damage to the system while the test is in progress. Do not pneumatically test CPVC systems. Pneumatically test Flow Guard Gold systems only at low pressure levels (20 psi or less).

Pressurizing water lines.

When pressurizing the water system, connect the pump to a location above a closed shut-off valve so as not to introduce pressure into the municipal water supply.

APPROVED BY



Cavco Industries Inc

SU-89

89

Connect Utilities

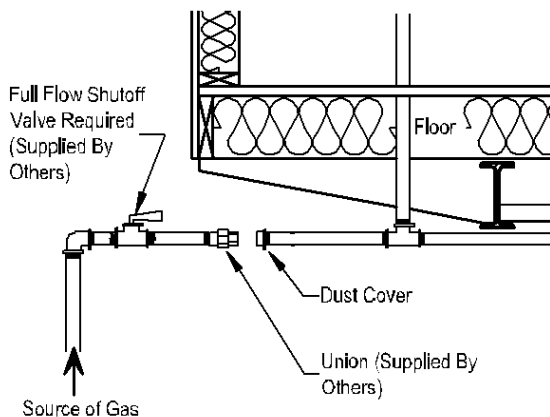
8. **Disconnect compressor.** After the entire system has been drained of all water, disconnect the air supply and close the water inlet valve.
9. **Pour anti-freeze.** Pour an antifreeze solution into all drain traps, including sinks, tubs, and toilets. Be sure that the antifreeze is safe for the fixtures and P-traps.

STEP 3. CONNECT GAS SERVICE

CONNECTION

If the home uses natural or liquid petroleum gas (LPG, also known as propane) for water or space heating, cooking or other appliances, follow the procedure described below.

1. **Inspect vents.** Assure that all exhaust vents on gas-fired equipment are securely connected and that roof jacks and stacks have not come loose during transit and they are properly installed.
2. **Review appliance instructions.** Review each appliance manufacturer's instructions before the home is connected to the gas supply. Most gas appliances are typically configured to operate on natural gas. If the gas supply will be LPG, consult the appliance manufacturer's instructions to determine what changes need to be made. For homes located above 3,000 feet, appliances may require a different orifice.
3. **Remove cap.** Remove the protective cap from home inlet pipe and install a full flow shut-off valve at the supply inlet (**Figure 95**).
4. **Install regulator.** The gas piping system is designed for a pressure that is at least seven inches of water column (4 oz. per sq in or 0.25 psi) but not more than 14 inches of water column (8 oz. per sq in or 0.5 psi). If gas from any supply source exceeds, or could exceed this pressure, install a regulator if required by the LAHJ.
5. **Connect supply.** Using matching threaded fittings, connect the gas supply to the inlet side of the shut-off valve.
6. **Close valves.** Close all valves at appliances prior to opening the main supply valve.



Installing gas lines. Only qualified professionals may connect and test gas service.



Furnace Roof Jack. In some cases, furnace flue vents are shipped loose. If this is the case, red warning tags are attached to the gas line at the inlet and at the furnace. The roof jack must be installed prior to operating the furnace. The roof jack and installation instructions are located inside the home.

Figure 95. Gas service connection

TESTING

Test the gas piping system in the following two ways: 1) piping only and 2) entire system. Consult with the LAHJ for any additional testing or start-up requirements.

Before testing is begun, the temperature of the ambient air and the piping should be approximately the same. Conduct the tests when and where air temperatures will remain constant.

Piping only test (all appliances isolated)

1. **Isolate appliances.** Isolate all appliances from the system by closing all appliance shut-off valves.
2. **Attach gauge.** Attach to the home's gas inlet a mercury manometer or slope



Fill gas water heaters. Before lighting the pilot on a gas powered water heater, fill the tank with water. Failure to do so could damage the water heater.

gauge calibrated in increments of not more than 1/10 lb.

3. **Pressurize system.** Using an air compressor, pressurize the system with compressed air to three psi and isolate the pressure source from the system.
4. **Monitor pressure.** Monitor the pressure for at least 10 minutes.
5. **Check for leaks.** If pressure drops below three psi, check for leaks by applying a non-corrosive, ammonia-free gas leak detection fluid to the joints at all valves, appliance connections, and crossover connections (do not use dish washing detergents, soap, or other household chemicals). If bubbles form, tighten the connection and recheck.
6. **Repair leaks.** If leaks persist, replace defective pipes or fittings with sound material and retest.
7. **Release pressure.** Release pressure and open all appliance shut-off valves.
8. **Rinse connections.** Thoroughly rinse all tested connections with water to remove leak detection fluid.

Entire system test (with appliances)

1. **Close appliances.** Close all gas equipment controls and pilot light valves according to the individual gas equipment manufacturer's instructions.
2. **Open valves.** Assure that gas shut-off valves for all gas equipment are in the open position.
3. **Attach gauge.** Attach to the home's gas inlet a pressure gauge calibrated in ounces.
4. **Pressurize system.** Pressurize the system with compressed air to six to eight ounces (3/8 to 1/2 psi, or 10 to 14 inches of water column).
5. **Check for leaks.** Check for leaks as described above in step 4 of the Piping only test. Replace defective pipes or fittings with sound material and re-test.
6. **Rinse connections.** Thoroughly rinse all tested connections with water to remove leak detection fluid.

GAS APPLIANCE START-UP

Open the shut-off valve for each appliance and adjust the burners according to the appliance manufacturer's instructions. Verify that the furnace and water heater thermostats are operating properly and set them to the desired temperatures.

STEP 4. CONNECT OIL SERVICE

Homes that are equipped with oil burning furnaces must have oil supply piping installed and tested on site by a qualified professional in accordance with NFPA 31, Standard for the Installation of Oil Burning Equipment, 2001 or the requirements of the LAHJ, whichever is more stringent. The home manufacturer does not supply oil piping or tanks.

OIL CONNECTION

Consult the furnace manufacturer's instructions for proper pipe-sizing and installation procedures. Where piping is run through the bottom of the home, ensure all holes in the bottom board are sealed tight with foam, mastic, and/or tape specially made for that purpose and made rodent proof.

When equipping the home with an oil storage tank, comply with the following:

- Install the pipe with a gradual slope toward the fill end or drain plug (if so equipped) to facilitate pumping or draining of water and sludge.
- Provide a readily accessible approved manual shut-off valve at the outlet, installed to close against the supply.
- Equip the tank with an approved oil filter or strainer located downstream from the tank shut-off valve. Use a filter or strainer containing a sump with a drain to trap water.
- Equip under ground tanks with a filler neck extending one foot above grade and a minimum 1-1/4 inch diameter vent pipe extending at least two feet above grade.
- Locate the tank to be accessible for service and inspection, and safe from fire

APPROVED BY



Cavco Industries Inc



Testing oil tanks. All oil storage tank and piping installations and tests must meet all applicable local regulations and should be made only by experienced, qualified personnel.

Connect Utilities

and other hazards.

- If the tank is located inside a compartment of the home, provide ventilation at the bottom of the compartment to permit diffusion of vapors. If the tank is fixed to the home, provide for filling and draining from the outside.
- Insulate interior tanks from the structural members of the home. Provide tanks so installed with an outside fill and vent pipe and an approved liquid level gauge.
- Install tanks that feed vaporizing type oil furnaces so that oil flows by gravity. To achieve efficient gravity flow, make sure that the bottom of the tank is at least 18 inches above the furnace oil control level.
- Tanks for gun type oil furnaces (these furnaces include a fuel pump) may be installed above or below ground.

OIL SYSTEM TESTING

Before operating the system, fill the tank to capacity with the fuel to be burned and visually check all joints in the system for leakage. Replace (do not repair) parts that leak.

▶ go to **Prepare Appliances and Equipment** (p. 93)

APPROVED BY



Oct 10, 2008

Cavco Industries Inc

Prepare Appliances and Equipment

This chapter provides instructions for installing and/or preparing appliances and other equipment. While the items below can be completed in any order, the last item, **CONDUCT ELECTRICAL TEST**, must be done last.

Follow the Steps below:

- ▼ **INSTALL AIR CONDITIONER OR HEAT PUMP** (p. 93)
- ▼ **PREPARE HEATING SYSTEM** (p. 94)
- ▼ **INSTALL REMOTE HEATING AND COOLING EQUIPMENT** (p. 94)
- ▼ **PREPARE VENTILATION SYSTEM** (p. 95)
- ▼ **PREPARE FUEL-BURNING WATER HEATER** (p. 95)
- ▼ **PREPARE CLOTHES DRYER** (p. 96)
- ▼ **PREPARE SMOKE ALARMS** (p. 96)
- ▼ **PREPARE FIREPLACES** (p. 97)
- ▼ **PREPARE KITCHEN AND BATH APPLIANCES / FIXTURES** (p. 99)
- ▼ **INSTALL EXTERIOR LIGHTING** (p. 100)
- ▼ **INSTALL CEILING FANS AND LIGHTING** (p. 100)

INSTALL AIR CONDITIONER OR HEAT PUMP (if applicable)

CENTRAL UNITS

Install split system or unitary central air conditioners and/or heat pumps as follows:

1. **Check suitability.** Check the home's Comfort Cooling Certificate (may be included with the data plate) to confirm that the home is suitable for installation of central air. If so, note the air distribution system's rated duct capacity (BTU/hr), any equipment sizing guidance provided by the manufacturer and information provided to calculate the home's heat gain.
2. **Select equipment.** Select equipment with a rated heating capacity (BTU/hr) not exceeding the maximum indicated on the home's data plate and a rated cooling capacity sized in accordance with Chapter 28 of the 1997 ASHRAE Handbook of Fundamentals or ACCA Manual J, Residential Cooling Load, 8th edition. Information needed to calculate the home's heat gain can be found on the home's comfort cooling certificate. Choose equipment with a minimum circuit amperage (found on the equipment rating plate) no greater than the branch circuit rating of the exterior air conditioning receptacle (indicated on the adjacent tag), if present.
3. **Install A-coil.** When installing a cooling A-coil in a down-flow furnace that incorporates a fresh air intake duct, position the duct in the furnace cavity according to the furnace manufacturer's instructions (**Figure 96**). For electric down-flow furnaces, trim the ventilation duct as needed to allow installation of the A-coil and secure the duct to the wall of the compartment or to the top of the A-coil. Do not restrict the flex duct opening; allow the duct insulation to contact the A-coil, or allow the duct to become kinked, restricted, or configured to form a trap.



Use listed appliances. All applicable appliances must be listed or certified by a nationally recognized testing agency for the application for which the unit is intended and installed in accordance with the terms of its listing or certification.

Properly sizing equipment. Oversized cooling equipment can lower energy efficiency, reduce comfort, shorten equipment life, and may cause moisture problems in the home (including potentially damaging the home's structure). Sizing guidance is provided by the Manufactured Housing Research Alliance Cooling Equipment Sizing Guidelines available at

APPROVED BY

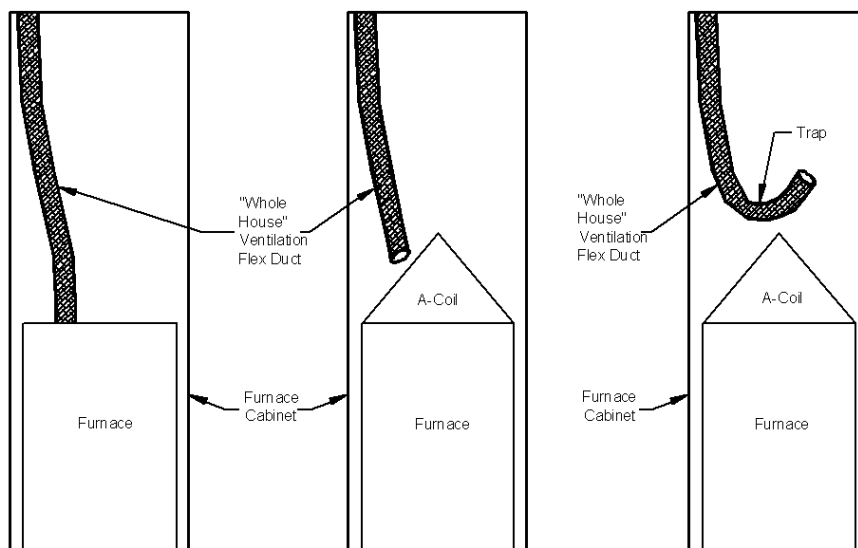


Cavco Industries Inc

SU-93

93

Prepare Appliances and Equipment



www.mhrahome.org

Figure 96. Whole house ventilation flex-flow duct in an electric down-flow furnace. From left to right: as prepared in the factory; proper installation with A-coil; improper installation with A-coil



Selecting A-coils. Use only A-coil units compatible and listed for use with the furnace in the home and installed in accordance with the furnace manufacturer's instructions.

PREPARE HEATING SYSTEM

If the home does not contain a factory installed heating appliance, install a remote heating appliance according to **INSTALL REMOTE HEATING AND COOLING EQUIPMENT**, p. 94. Prepare fuel-burning heating systems included with the home as follows:

1. **Inspect for damage.** Inspect the furnace and report any damage to the home manufacturer.
2. **High altitude.** If the home is located more than 2,000 feet above sea level or as indicated in the furnace manufacturer's instructions, derate gas furnaces 4% for each 1,000 feet above sea level. This work must be done by a qualified (and in some jurisdictions, licensed) technician.
3. **Convert for LPG gas.** If LPG gas (propane) will be used, convert the appliance from natural gas to LPG gas use. Conversion must be made by a qualified and (if required by the LAHJ) licensed technician.
4. **Install intake air pipe.** Consult the appliance manufacturer's instructions for maximum allowable pipe run length, requirements for air dampers, locations relative to expected snow levels (check with the LAHJ for expected snow levels), acceptable materials, pipe supports, and pipe termination requirements.
5. **Install flue.** For combustion appliances, install the flue roof cap and stack assembly as described in **PREPARE FIREPLACES, Chimneys** (p. 97).

INSTALL REMOTE HEATING AND COOLING EQUIPMENT

Install remote units in compliance with all heating and cooling equipment requirements in this chapter above and the following:

1. **Locate connections to the home.** Find the manufacturer-installed connectors, labels, or tags under the home indicating the required connection points for supply and return air. If connectors are not provided nor location indicated, select a supply duct location such that there are approximately equal numbers of supply registers forward and rear of the connection point. Locate the return duct in the center of the home.
2. **Install ducts.** Install the appropriate supply and return ducts (not provided) between the remote unit and the home (**Figure 98**), making connections according to the instructions for crossover ducts in **Crossover Connections** (p. 57).
3. **Install dampers.** If installing a remote cooling unit in a home with a factory installed furnace, install dampers between the furnace and the home's air duct system, and between the remote unit and the home's air duct system to prevent warm air in heating mode from escaping to the remote cooling unit and

Installing flue stacks with a hinged roof. If flue stack components are installed above the finish roof line (as is often the case with hinged roofs), an Alternative Construction letter is normally required along with a follow-up inspection. Contact the factory for guidance.

Venting appliances to the outside. Vent to the exterior of the home all combustion appliances except ranges and ovens.

Selecting ducts. Exterior ductwork for remote units must be provided by the installer or HVAC contractor. Ducts must be approved for exterior installation and should be wrapped with insulation of at least R-4 under a vapor barrier with a perm rating of not greater than one. (For ENERGY STAR homes, the R-value must be at least that specified on the manufacturer's ENERGY STAR Site Installation Checklist—generally a minimum of R-6 or R-8.)

APPROVED BY



Cavco Industries Inc

Prepare Appliances and Equipment

vice versa.

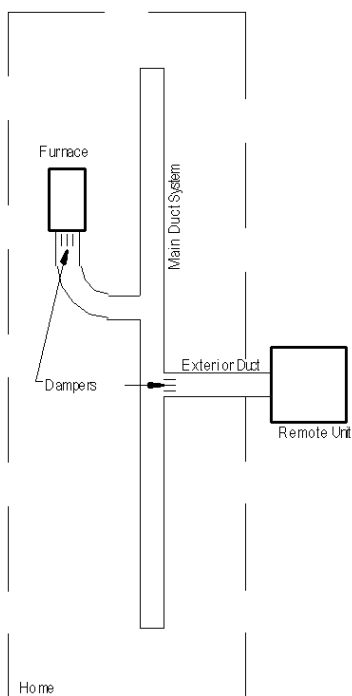


Figure 97. Remote unit damper locations

4. **Connect wiring.** Install a thermostat containing a fan switch. Connect utilities in accordance with all manufacturer's instructions and local codes.
5. **Seal penetrations.** Repair or replace all floor insulation disturbed during the duct installation and seal holes in the bottom board using foam, mastic, or tape specially made for that purpose.

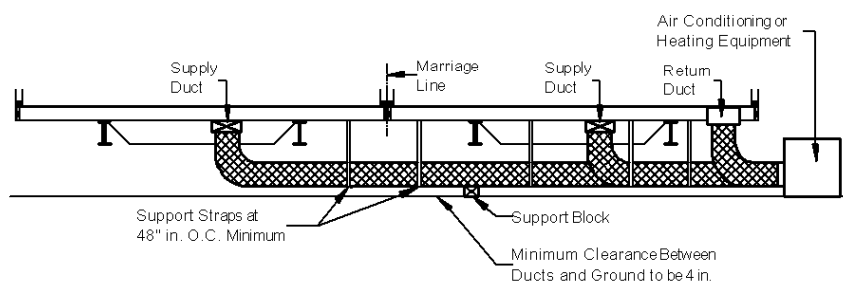


Figure 98. Ducts connecting exterior heating and/or cooling equipment to the home

PREPARE VENTILATION SYSTEM

Prepare the whole-house ventilation system according to the ventilation system manufacturer's instructions. Confirm that any fresh air intake ducts extend to the exterior and do not draw air from the crawlspace under the home. Do not allow any fresh air ventilation intake ducts to become kinked or restricted, forming a trap (Figure 98).

PREPARE FUEL-BURNING WATER HEATER

The water heater discharge and drip pan drains should have been installed in **Connect Utilities** (p. 84).

In homes with direct-vent water heaters (that utilize gas, oil, or other combustion fuel), and where the water heater is not independently vented to the exterior through a grilled opening, provide combustion air from under the floor using pipe and cement acceptable to the appliance manufacturer or through the roof via a double-walled flue pipe. If provided through the floor, run the air piping to the exterior of the home, with supports spaced every 3-1/2 feet o.c. or less. Terminate the pipe facing downward a minimum of 12 inches above the ground surface and provide a screen on the pipe vent cap.



Choosing pipe lengths.

The appliance manufacturer may designate the length of the pipe run based on the pipe diameter and the number of turns in the pipe run.

Venting exhaust systems.

Exhaust vents must extend to the home's exterior through skirting. Termination of the dryer exhaust underneath the home can cause condensation and

APPROVED BY



Cavco Industries Inc

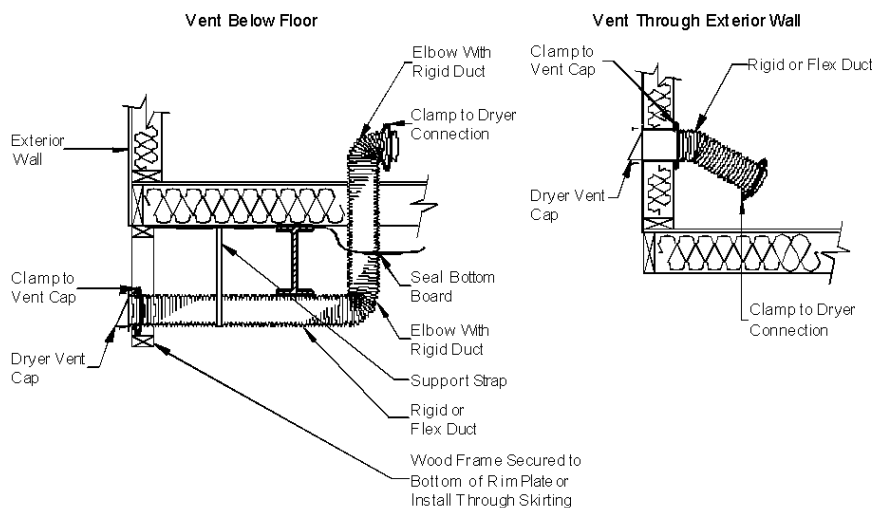
Prepare Appliances and Equipment

PREPARE CLOTHES DRYER

DRYER VENTS

If the home includes a clothes dryer, the components for ventilating the dryer are included with the home (but not necessarily installed) and a vent opening has been roughed in either in the wall or floor. (If a dryer is not installed, seal all dryer vent openings).

Run the dryer vent to the outside through the exterior wall or through the floor to a point beyond the perimeter of the home, using materials approved by the clothes dryer manufacturer (see Figure 99).



moisture damage to the home. Lint and dust accumulation can ignite, causing a fire. The exhaust system must not contain reverse slope.

Figure 99. Clothes dryer ventilation ductwork through floor (left) or exterior wall (right)

Install the vent as follows:

1. **Remove temporary caps.** Remove any temporary seals and duct caps from the vent rough openings.
2. **Install ductwork.** Install ductwork using clamps (do not use screws or other fasteners that penetrate into the duct) and support the duct with metal straps connected to the floor joists or chassis at two feet o.c. or less. Ensure duct connections are internally overlapped to prevent inhibiting the flow of air and thereby causing lint accumulation.
3. **Install cap and damper.** Install an approved dryer vent cap with damper on the exterior termination of the duct. If the vent terminates at skirting, secure the cap to framing or skirting with sheet metal screws and seal edges with caulk or sealant. If the vent terminates through a wall, apply a bead of sealant to the back of the cap around the opening and secure with sheet metal screws to metal, hardboard or fiber cement siding or with wood screws to a mount block for vinyl siding.
4. **Seal opening.** Seal openings inside and outside of the home including at the floor, interior walls, siding and skirting (with caulk), and at the bottom board using foam, mastic and/or tape specially made for that purpose.

GAS DRYERS

If the home was not fitted for a gas dryer, installing one requires substantial alteration to the home. Gas supply piping and adequate venting must be provided as specified by the dryer manufacturer and installed by a trained professional. Do not cut major structural elements to accommodate a gas dryer.

PREPARE SMOKE ALARMS

The home has several factory installed smoke alarms that are wired to a 120-volt circuit. If the home was designed for placement on a basement, an additional alarm is provided for installation at a pre-wired location under the home. Connect the basement smoke alarm and test all alarms as follows:



Avoid damaging structural elements. Do not cut or otherwise damage structural elements such as floor joists or wall studs for the installation of the dryer exhaust system.

Gas. Ventilation components that may be included with the home for an electric dryer may not be acceptable for gas dryers. Consult the gas dryer manufacturer instructions.



Installing ducts.

Keep ductwork straight and smooth as possible without excess slack. Slope it slightly downward towards the exterior to facilitate moisture drainage.

Prepare Appliances and Equipment

1. **Check circuit.** Ensure that electrical power to the home is activated and that the smoke alarm circuit is on.
2. **Remove batteries.** Make sure backup batteries (if any) are removed from all smoke alarms.
3. **Test alarms.** Press the test button on each alarm sequentially. All alarms should sound simultaneously when the test button on any one smoke alarm is pressed. Replace (with the same brand as those installed elsewhere in the home) any alarms that do not sound and retest.
4. **Replace batteries.** After successful test, replace the backup batteries, discarding the protective tabs.

PREPARE FIREPLACES

Install chimneys, chimney flashing and roofing, fireplace combustion air inlets, and hearths according to the manufacturer's instructions and the procedures described below.

CHIMNEYS

Fireplace and wood stoves may require on-site installation of additional sections of approved chimney pipe, a spark arrestor, and a rain cap assembly. Follow the manufacturer's instructions and the procedures described below:

1. **Remove coverings.** Remove protective materials covering the roof flashing and any foreign material from the installed part of the chimney.
2. **Install chimney pipe.** Assemble and seal the chimney per the fireplace or wood stove manufacturer's installation instructions and if there is a conflict between the instructions and the figure, follow the instructions. To assure sufficient draft for proper operation, extend the chimney at least three feet above the highest point where it penetrates the roof and at least two feet higher than any surface within 10 feet of the chimney (**Figure 101**). Use additional section(s) of chimney pipe (not provided) if required by local code or if the site has obstructions within 10 feet of the chimney.

APPROVED BY



Cavco Industries Inc

SU-97

97

Prepare Appliances and Equipment

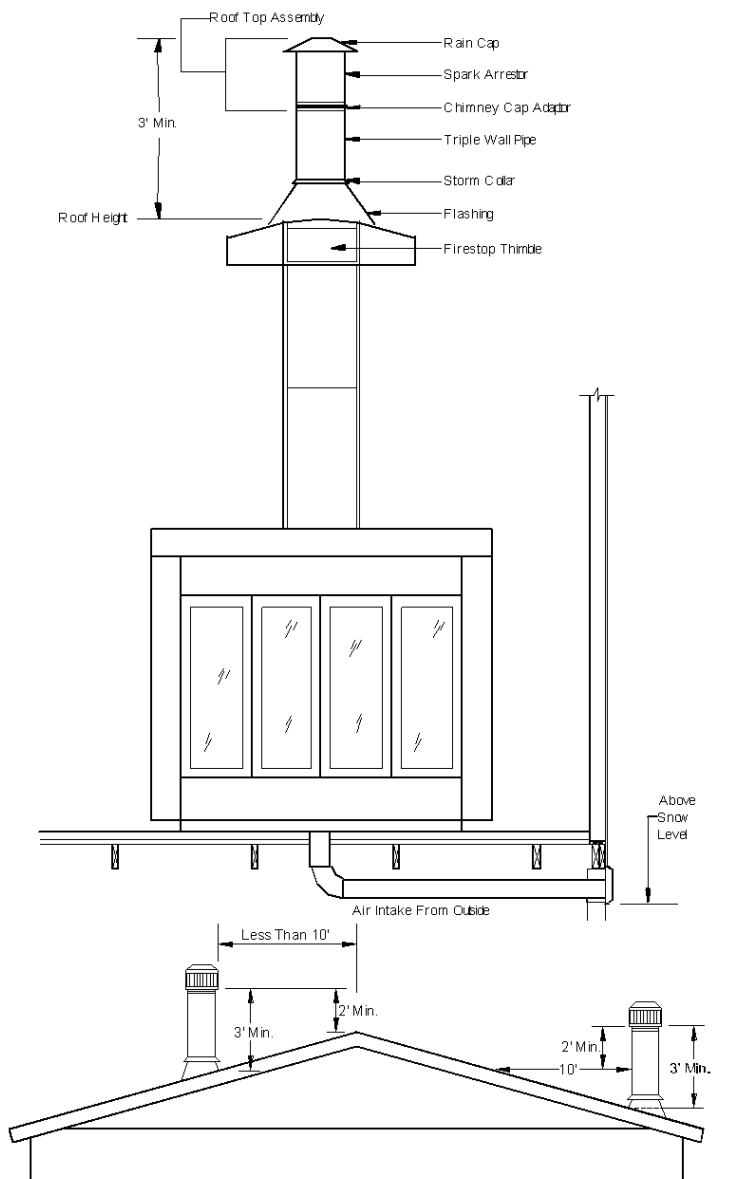


Figure 100. Chimney and combustion air intake duct installation



Selecting the appropriate flue. Wood fireplaces use larger diameter flues than gas fireplaces. Make sure flue matches the appliance type. Gas fireplaces cannot burn wood because the flue is too small and smoke will back up into the home. If wood fireplaces are converted to gas the flue will be too large resulting in excessive heat loss through the chimney.

Figure 101. Chimney clearance

3. **Install shingles.** Install shingles up to the edge of the flue cut-out in the roof deck. Secure shingles installed under the roof flashing with asphalt cement.
4. **Install flashing.** Place flashing over pipe section and shingles and set in asphalt cement. Secure flashing to roof deck at top two corners with roofing nails.
5. **Complete shingles.** Cut shingles in successive courses to fit around the pipe and embed them in asphalt cement where they overlap the flashing. Secure shingles with roofing nails through flashing and apply asphalt cement over nail heads. The completed installation should appear as shown in **Figure 102**, with the lower part of the flange overlapping the lower shingles and the side and upper shingles overlapping the flange.

Prepare Appliances and Equipment

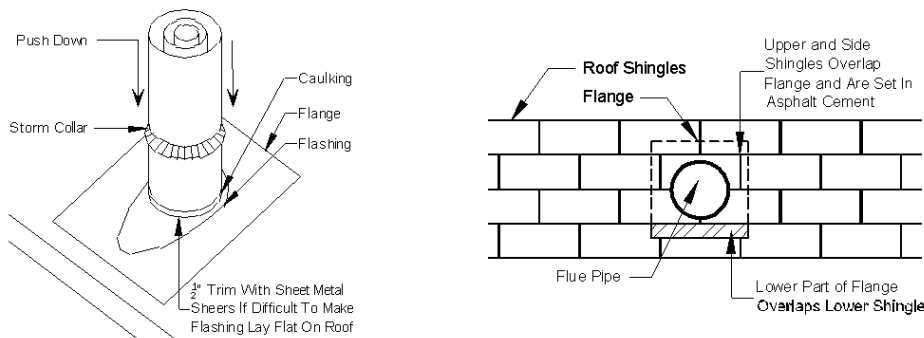


Figure 102. Roof flashing and shingle installation around chimney

COMBUSTION AIR INLETS

Combustion air inlets provide combustion air through the floor or an exterior wall to a combustion appliance. If through an exterior wall, site installation is not required. If through the floor, extend the duct from its point just below the floor to the outside (additional duct material required for this may or may not be provided with the home). Locate the inlet damper above expected snow levels (contact the LAHJ for snow levels).

Follow the fireplace manufacturer's instructions (typically in the fireplace/stove or with the chimney parts).

HEARTH

If shipped loose, install the fireplace hearth according to the fireplace manufacturer's instructions.

PREPARE KITCHEN AND BATH APPLIANCES / FIXTURES

Install kitchen and bath appliances according to the manufacturer's instructions and the procedures described for each appliance below.

COOKING APPLIANCES

If the home is provided with a range, cook top and/or grill containing its own exhaust system that penetrates the floor, complete the exhaust system as follows:

1. Remove covers. Remove the cover on the factory-installed exhaust pipe protruding from beneath the floor near the appliance.
2. Install termination fitting. Secure the provided termination fitting at the outside edge of the floor.
3. Install duct. Use the provided flexible metallic duct to connect the elbow protruding from the floor and the termination fitting. Refer to the manufacturer's installation instructions for guidance on supporting the duct and making the connections.

SITE-INSTALLED GAS APPLIANCES

Install only appliances with a Btu capacity equivalent to or less than the capacity of the factory-installed piping and at the location of a factory-installed gas riser.

REFRIGERATOR

Prepare the refrigerator as follows:

- Remove straps, blocks, or other securement devices used for shipping and patch any resulting marks on floors or walls.
- If the refrigerator has an icemaker, check water lines for leaks upon installation and a few days later to make sure no leaks have developed.

SITE-INSTALLED APPLIANCES AND FIXTURES

If sinks, tubs, showers or other fixtures or appliances are to be site-installed, follow the manufacturer's installation instructions. Use only products listed for use in manufactured homes and follow all applicable local codes.



Installing combustion air inlets. Do not install the combustion air inlet such that material from the hearth can drop beneath the home.



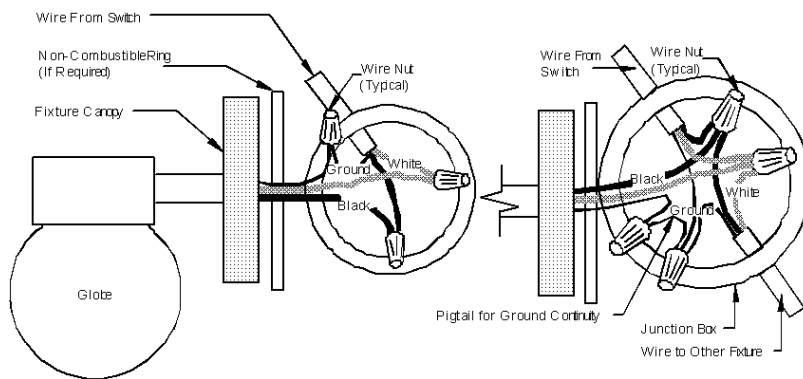
Installing exhaust ducts. Route exhaust ducts so they do not terminate beneath the home.

Prepare Appliances and Equipment

INSTALL EXTERIOR LIGHTING

Install exterior lighting according to **Figure 103** and the following:

1. **Remove cover.** Remove the screws and cover from electrical junction box.
2. **Install flash ring.** Place the non-combustible flash ring over the junction box.
3. **Connect wires.** Connect fixture wires to house wires in the box, black to black, white to white, and equipment ground to equipment ground, using listed wire connectors. Push wires into the box.
4. **Connect fixtures.** Connect the fixture to the junction box or strap using screws provided with the light fixture.
5. **Weatherproof.** Weatherproof/caulk around the base of the fixture, leaving a small gap in the caulking on the bottom to permit drainage of water that may accumulate.
6. **Complete installation.** Install bulb and globe on the fixture and verify proper operation.



INSTALL CEILING FANS/LIGHTS

Install ceiling fans no closer than 44 inches to a smoke alarm, measured from the center of the fan to the center of the alarm and with the trailing edges of the blades at least six feet-four inches above the finished floor. Comply with all unit manufacturer's instructions and the requirements below.

CEILING FAN/LIGHT MOUNTED TO FACTORY-INSTALLED ELECTRICAL BOX IN CEILING

Before installing the unit, make sure that adequate structural bracing is present in the ceiling. If uncertain, check with the manufacturer. Follow the fan or light manufacturer's instructions to connect the unit and complete the wiring. If the instructions are not available, connect the wiring as shown in **Figure 104**.



Lighting installation. A qualified electrician should install lighting. Before connecting lighting, disconnect power to the lighting circuit. Ground all exterior light fixtures.

Using a non-combustible ring. Install a non-combustible ring completely covering any combustible surfaces the fixtures may be mounted on (e.g. hardboard, clad wood and vinyl siding), or when ceiling material is exposed between the light fixture canopy and the junction box.

Figure 103. Exterior lighting connection



Installing ceiling fans. A qualified electrician should install lighting and fans. Before connecting the ceiling fan or light, disconnect power to the fan wires. Any unit installed outside of the home (such as in a porch ceiling) shall be listed for wet locations.

Prepare Appliances and Equipment

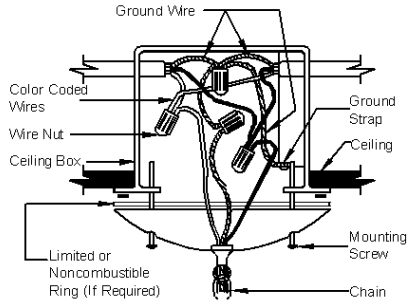


Figure 104. Wiring for a ceiling fan or chain-hung light fixture with a maximum weight of 35 lbs

CEILING FAN/LIGHT MOUNTED ON SITE-INSTALLED DECORATIVE BEAM

Where the electrical box will be mounted in a site-installed decorative center beam attached to the ridge beam, connect the fixture as follows (see Figure 105):

- Cut hole.** If the decorative beam (shipped loose) does not contain a pre-cut hole for the electrical box, cut a hole with a diameter approximately 1/4 inch larger than the box's using a hole saw. Align the hole with the supply wire location and center on the beam.
- Install box.** Install the box in the hole and secure the flange (plastic boxes only) to the decorative beam with four #6 x 1" screws.
- Insert wire.** Insert the ceiling wire through a knock-out hole in the side of the electrical box. It may be necessary to cut a notch in the top of the decorative beam (on the supply wire side of the center beam hole) allowing the supply wire to be inserted into the electrical box without binding against the beam during installation. Leave approximately four inches of wire free in the box.
- Attach beam.** Secure the decorative beam in place over the center line joint, checking that the supply wire is not pinched or penetrated by beam fasteners. Secure the electrical box to the ridge beam with #8 x 2 1/2" wood screws through the two holes in the top of the box.
- Strip wires.** Strip about 3/4 inch of insulation from the white and black conductor ends of the supply wire.
- Position ring.** Position the non-combustible flash ring (provided) over the electrical box so that the finished surface (adjacent to electrical box) which is to be covered by the fan canopy is not exposed.
- Install and wire unit.** Follow the unit manufacturer's installation instructions for mounting the fan/light assembly to the box and for electrical wiring. Use provided electrical connectors for splicing wire.



Choosing ceiling fan junction boxes. Connect ceiling fans only to junction boxes listed and marked for ceiling fan application in accordance with Article 314.27(b) of 2005 NEC. Always ground metal junction boxes.

Selecting fan weight. Do not use any ceiling fans or light fixtures that exceed the weight rating of the box (35 lbs unless otherwise noted).

Grounding electrical devices. Ground fans/lights using a fixture-grounding device or a fixture-grounding wire as specified in the manufacturer's instructions.

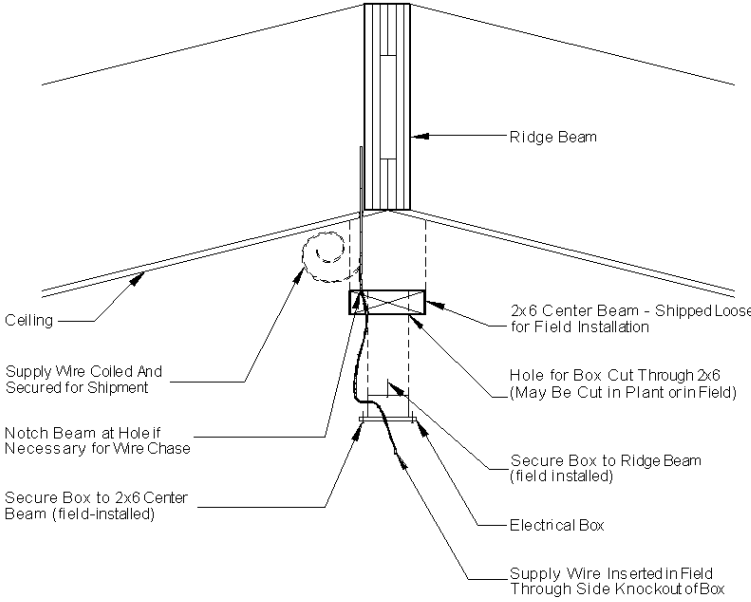


Figure 105. Ceiling fan/light mounted to flush ridge beam

Cavco Industries Inc

Prepare Appliances and Equipment

TEST ELECTRICAL SYSTEM

After completion of all electrical wiring and connections, including crossovers, appliances, lights, and ceiling fans, inspect and test the electrical system as follows:

1. **Fill water heater.** Fill water heater before turning on power to the home or switching on the circuit breaker.
2. **Test continuity.** Before turning on the electrical power to the home, conduct an electrical continuity test to ensure that exposed metallic parts of the home and the chassis are effectively bonded.
3. **Test operation.** After turning on the electrical power to the home, conduct operational tests of all devices (except water heaters, electric ranges, electric furnaces, dishwashers, clothes washers/dryers, and portable appliances) to demonstrate that they are connected and in working order.
4. **Test polarity.** After turning on the electrical power to the home, conduct electrical polarity checks to determine that connections of electrical equipment installed or completed during installation have been made properly. Visual verification is an acceptable electrical polarity check.

▶ go to **Complete Exterior Work** (p. 103)

APPROVED BY



Cavco Industries Inc

Complete Exterior Work

This chapter covers sealing the bottom board, installing the ground cover and skirting, preparing wind protection shutters, and completing site-built structures.

Follow the Steps below:

- ▼ **STEP 1. REPAIR AND SEAL BOTTOM BOARD** (p. 103)
- ▼ **STEP 2. INSTALL GROUND MOISTURE RETARDER** (p. 103)
- ▼ **STEP 3 INSTALL SKIRTING** (p. 104)
- ▼ **STEP 4 ASSEMBLE OPTIONAL WIND PROTECTION SHUTTERS** (p. 104)

STEP 1. REPAIR AND SEAL BOTTOM BOARD

Tears and openings in the bottom board can result from transportation or installation activities. Inspect for holes and gaps the entire bottom board, especially areas around service penetrations, crossover connections, pipe and duct hangers, foundation elements, and the perimeter of the floor. Using approved materials appropriate for the type of repair, repair the bottom board wherever torn or loosened as follows:

1. **Insulate.** Replace any missing insulation prior to closure and repair of the bottom board, paying particular attention to insulation gaps that may have been created at P-traps.
2. **Repair large openings.** Repair large openings with a durable patch made of bottom board fabric or other compatible material and fastened with vinyl bottom board tape held in place by fasteners installed with a divergent stapler. Seal the edges around patches with foam or mastic. For large openings, install a rigid backer board behind the bottom board to provide a fastening substrate for the patch.
3. **Repair small openings.** Repair small gaps and tears with a combination of vinyl bottom board tape, patches, mastic, or foam sealant.

STEP 2. INSTALL GROUND MOISTURE RETARDER

If the space under the home is to be enclosed with skirting or other materials, a ground moisture retarder of a minimum six mil thick polyethylene sheeting or equivalent must be installed covering the ground under the home. Moisture retarders are not required in arid regions (less than 15 inches of rainfall annually) with dry soil conditions. If on-grade (surface) footings are used, install the ground moisture retarder prior to placing the footings, or install it around the footings after all other work under the home is complete.

Install the ground moisture retarder as follows:

1. **Apply sheeting.** Unroll the ground moisture overlapping joints in the sheeting a minimum of 12 inches and covering the entire area under the home except for areas under recessed entries, decks, and porches.
2. **Seal joints.** Seal joints in the retarder with mastic.
3. **Weigh down.** To keep the retarder in place, weigh it down with stones, concrete blocks, or other heavy, durable materials.
4. **Repair tears.** Repair any voids or tears in the retarder by patching with like material, maintaining a minimum 12-inch overlap and sealing joints with mastic.



Sealing bottom boards. A continuous and sealed bottom board is critical for home performance, energy efficiency, protection against moisture problems, prevention of pipe freezing, and protection against insects and rodents.

Bottom board sealing methods. Tapes shall never be used alone to repair a bottom board. Divergent staples or mastic must be used in tandem with tape to prevent future tear off.

Fastening vinyl siding. Do not install fasteners directly into vinyl siding. Allow for siding thermal expansion by pre-drilling minimum 1/2 inch diameter fastener holes or fastening skirting to a ledger under the home (see Best Practice tip).

APPROVED BY



Complete Exterior Work

STEP 3. INSTALL SKIRTING

Skirting is any structural or non-structural perimeter crawlspace enclosure. Complete site-built structures (see **STEP 5. COMPLETE SITE-BUILT STRUCTURES**, p.103) that abut the home (such as porches, attached garages, and steps) prior to installing skirting.

TABLE 30. ANCHOR SYSTEM MATERIALS SPECIFICATIONS

Component	Specification
Skirting	Skirting must be of weather-resistant materials or provided with protection against weather deterioration at least equivalent to that provided by a coating of zinc on steel of not less than 0.30 oz per sq ft of surface coated. Skirting made from wood or wood products and used within six inches of the ground needs to be made of materials naturally resistant to decay and termite infestation or pressure treated.
Vents	Ventilation openings must be covered for their full height and width with a perforated (1/4 inch maximum opening in any dimension) corrosion and weather-resistant covering that is designed to prevent the entry of rodents. In areas subject to freezing, the coverings for the ventilation openings must have an operable damper, permitting them to be in the open or closed position depending on the weather.

To design and install skirting, comply with the skirting manufacturer's instructions (if provided) and the following:

- 1. Configure skirting.** Run the skirting along the perimeter of the home's heated, conditioned space. Do not enclose with skirting areas under recessed entries, porches, or decks (whether constructed as part of the home or added on site) unless skirting is of the fully vented type and installed so as to allow water to freely flow out from under the home.
- 2. Fasten skirting.** Recess the skirting under the siding or trim and attach it to the home in a manner that prevents water from being trapped between the siding or trim and the skirting. For wood, aluminum, or fiberglass skirting, install a skirt rail (lumber strip) under the floor inset at least 1-1/2 inches from the edge of the siding for attachment of the skirting. Allow for frost heave when installing skirting in areas subject to frost.
- 3. Provide ventilation.** Unless the skirting has integral ventilation openings that meet the following ventilation requirements, install equally sized ventilation openings on at least two opposite sides of the foundation. Size ventilation area to equal at least one square foot or each 150 square feet of under-floor area (or for each 1,500 square feet if a ground moisture retarder is installed according to **STEP 2. INSTALL GROUND MOISTURE RETARDER**, p. 103). Place vents as high above the ground as practical.
- 4. Install access.** Provide an access opening not less than 18 inches wide and 24 inches high and located so that any utility connections located under the home are accessible.
- 5. Extend vents, drains, and inlets.** Run appliance exhaust vents, combustion air inlets, and air conditioner condensation drains through the skirting to the outside and terminate each as instructed in the sections of this manual corresponding to each appliance.

STEP 4. ASSEMBLE OPTIONAL WIND PROTECTION SHUTTERS

If desired, prepare temporary protective window covers for use during severe wind storms and hurricanes according to **Figure 106, Table 31**, and the procedure below.

1. Assemble extension framing using with two 16d common nails at each connection.
2. Assemble shutter panels as shown in **Figure 106**.
3. Store the shutters such that they are protected from the weather, are not in direct contact with the ground, and are easily accessible by the homeowner.



Avoiding radon.

For enclosed perimeter wall crawlspace foundations in areas where radon is commonly found in the soil, continue the moisture retarder up the perimeter wall at least 12 inches, sealing the edges and between the seams with mastic.

Attaching vinyl siding. To install skirting on vinyl-sided homes, screw a treated 2 x 4 on edge to the underside of the floor joists two inches back from the edge of the home. Secure skirting to the 2 x 4 but allow for movement from expansion and contraction. See skirting manufacturers installation instructions.



Avoid backfilling against skirting. Do not backfill against non-structural skirting.



Complete Exterior Work

To attach shutters to the home:

1. Fasten extension framing to wall framing materials with 16d double-headed nails or #8 x 3" screws, toe nailed/screwed, per **Table 31**.
2. Fasten assembled panel(s) to extension framing with 12d nails, per **Table 31**.

After use, remove shutters from the home, patch nail holes with caulk and store them as above.

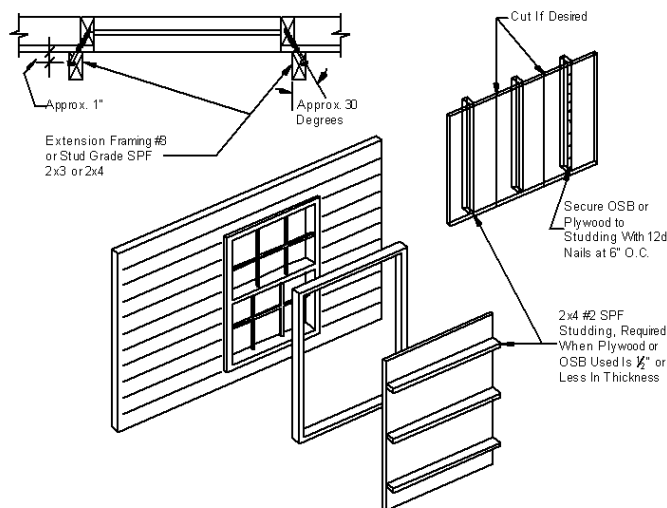


Figure 106. Wind protection shutter construction

TABLE 31. SHUTTER CONSTRUCTION SPECIFICATIONS

Window width	Extension framing	Panel thickness (in)	Wind Zones 2 & 3		Wind Zone 2		Wind Zone 3	
			Fastening to extension		Fastening to wall framing		Fastening to wall framing	
			12d nails		16d nails	#8 x 3 screws	16d nails	#8 x 3 screws
Up to 48"	2 x 3*	7/16, 1/2	6 in. o.c.		8 in. o.c.	22 in. o.c.	6 in. o.c.	16 in. o.c.
	2 x 3	23/32, 3/4	6 in. o.c.		8 in. o.c.	22 in. o.c.	4-1/2 in. o.c.	12 in. o.c.
Up to 72"	2 x 3*	7/16, 1/2	4 in. o.c.		5 in. o.c.	14 in. o.c.	3 in. o.c.	8 in. o.c.

STEP 5. COMPLETE SITE-BUILT STRUCTURES

Install site-built structures such as steps, landings, garages, awnings, carports, breezeways, porches, decks, railings, sheds, and utility rooms according to manufacturer's instructions (if any), in compliance with all local regulations including fire separation and electrical requirements, and according to the following:

- Do not obstruct any of the two required exit doors from the home.
- Construct site-built structures to be structurally independent unless provided for in the design of the home (instructions will be provided by the manufacturer).
- Do not damage the integrity of the home's structural or weatherproofing system. Seal any weatherproofing connections between the site-built structure and the home and flash any roof connections.
- Utilize only GFCI outlets for site-built structures.
- Install and test smoke alarms in any site-built structures according to local code.



Designing site-built structures. All site-built structures must support their own dead, live, and wind loads and must not transmit any loads to the home's structure. All carports should be freestanding.

▶ go to **Prepare Home for Occupancy** (p. 106)

APPROVED BY



Cavco Industries Inc

SU-105

Prepare Home for Occupancy

Prepare Home for Occupancy

Follow these steps for final inspection and completion of the home.

Follow the Steps below:

- ▼ **STEP 1. VERIFY ALTERNATIVE CONSTRUCTION (A/C) INSPECTION** (p. 106)
- ▼ **STEP 2. COMPLETE INSPECTION CHECKLIST** (p. 106)
- ▼ **STEP 3. COMPLETE ENERGY STAR CHECKLIST** (p. 106)

STEP 1. VERIFY ALTERNATIVE CONSTRUCTION (A/C) INSPECTION

This is normally the responsibility of the retailer and the manufacturer, however, the installation is not complete until the alternative construction inspection has been passed and documented.

STEP 2. COMPLETE INSPECTION CHECKLIST

After all previous steps have been accomplished, inspect the home to verify that it has been completely and properly installed using the checklist starting on p. 107.

Correct any deficiencies found, if possible, or if not possible, inform the retailer or manufacturer immediately.

STEP 3. COMPLETE ENERGY STAR CHECKLIST

For ENERGY STAR qualified homes (check with the retailer or manufacturer), this step is to be completed by the manufacturer's designated representative. Ask the retailer or the manufacturer who this is.

The manufacturer's representative must complete the Energy Star Site Installation Checklist, obtain signatures on the ENERGY STAR label, and return the completed ENERGY STAR Site Installation Checklist to the manufacturing plant.

STEP 4. CLEAN THE HOME

Remove and properly dispose of all installation-generated dust, debris, and packaging materials from the home and the surrounding property. Ensure that the home is in "move-in" condition.

Installation is Complete

APPROVED BY



Cavco Industries Inc

Complete Installation Checklist

Use this checklist to confirm that the listed aspects of the installation are complete and correct.

FOUNDATION

- Footings properly sized and constructed for the soil conditions
- Pier spacing per data plate and applicable table and roof load zone
- Piers properly constructed and vertical
- Perimeter blocking installed (if required)
- Piers at each side of large sidewall openings
- Center line piers installed at columns
- Shims in place and tight

ANCHORS

- Approved anchors are used
- Anchors are installed at correct angles
- Anchor spacing and installation correct
- Longitudinal ties installed (if required)
- Anchor straps are tensioned

UNDER THE HOME

- Moisture retarder installed
- The ground is properly graded to prevent water accumulation
- HVAC ducts are supported off the ground and connected tightly to collars at all ends
- Fireplace combustion air intake free and unrestricted
- No holes or tears in bottom board
- Skirting has been installed per manufacturer's instructions with proper venting and provision for frost heave
- Dryer vent, range/cook top exhaust, water heater temperature and pressure overflow pipe and AC condensate drain installed to perimeter of crawl space

EXTERIOR

- Shingled roofs are free of visible damage and serious defects and there are no missing or loose shingles
- Shingle close-up and ridge cap have been completed per applicable details
- All hold down straps on shingled roofs have been removed and staple holes have been properly sealed
- Penetrations at roof stacks, vents and chimneys have been properly sealed
- Siding and trim is free of gaps, voids, missing fasteners, damage, and serious defects. All seams are sealed and hardboard edges are sealed
- Drip edge and fascia is properly installed and free of damage and serious defects
- Gutters and downspouts are installed properly such that water is diverted away from the home
- Trees and bushes have been trimmed to prevent brushing against the home in windy conditions or under snow loads
- The HUD label is exposed, intact and legible
- The exterior of the home and immediate surroundings is clean, clear of construction materials, dust, and debris



Limits of the checklist. This checklist is not all-inclusive. Some homes have important features not listed here. Completing this checklist does not guarantee that all installation requirements have been met.

APPROVED BY



Cavco Industries Inc

SU-107

107

Complete Installation Checklist

INTERIOR

- Ceilings, walls, and floor coverings are free from damage and serious defects
- Carpeting is properly stretched and seamed
- All trim and moulding is installed properly and free of damage and defects
- All cabinets, countertops, plumbing fixtures, appliances, furnishings, and window coverings are free of damage or serious defects
- All cabinet doors and drawers work properly
- All interior and exterior doors and windows open, close, and latch properly
- One window in each bedroom meets emergency egress requirements, has operating instruction labels on it, and operates properly
- All temporary shipping hardware has been removed
- Floors are level
- The data plate is intact and legible
- Smoke alarms have been tested
- The interior of the home is clean, clear of materials, dust, and debris

WATER AND DRAIN SYSTEMS

- Crossover and service connection and splices have been properly made with correct materials
- Water and drain lines are insulated or otherwise protected from freezing
- Pipe supports are installed and properly spaced
- Proper slope has been maintained on all drain lines
- All necessary inspections and tests have been performed
- All sinks, basins, tubs, and toilets operate properly
- All hot and cold water lines are properly connected to fixtures, dispense water as labeled, and operate properly

ELECTRICAL SYSTEMS

- The panel amperage matches the connection to the home
- The home has been properly grounded
- The main power supply has been properly connected and tested by a licensed electrician
- All electrical crossovers have been connected
- All receptacles, switches, and light fixtures operate properly
- Ground fault circuit interrupters operate properly
- All exterior lights have been properly installed

GAS/FUEL OIL SYSTEMS

- The gas system pressure test has been conducted
- Connections between units are properly made with access as required
- The main fuel line has been properly connected and tested by a qualified technician

APPLIANCE OPERATING AND VENTING

- All appliances are working properly
- Appliance venting is in accordance with the manufacturer's instructions
- Fresh air intakes are properly installed
- Whole house, kitchen, and bath exhaust fan operation are correct
- Fireplace chimney stack extension and roof cap have been installed in accordance with the manufacturer's instructions

Cavco Installation Manual

APPROVED BY



Cavco Industries Inc

Complete Installation Checklist

Air conditioner/heat pump is sized properly

MISCELLANEOUS

Installation/anchoring certificates or seals have been issued and installed (if required)

Owner's and operation manuals are available for all appliances

This installation manual is left with home

Cavco Installation Manual

APPROVED BY



Cavco Industries Inc

SU-109

Index of Steps

Index of Steps

INTRODUCTION	3
IMPORTANT NOTICES	3
SAFETY	3
RESOURCES	3
FEDERAL PREEMPTION.....	4
DEFINITIONS	4
ENGINEER'S STAMP.....	5
SYMBOLS USED IN THE MANUAL	6
ABBREVIATIONS.....	6
ALTERNATIVE FOUNDATION SYSTEMS	6
DISPLAY AND STORAGE OF THE HOME	6
GETTING STARTED	8
STEP 1. LOCATE THE DATA PLATE	8
STEP 2. CONFIRM WIND ZONE.....	8
STEP 3. CONFIRM THERMAL ZONE.....	9
STEP 4. CONFIRM ROOF-LOAD ZONE.....	10
STEP 5. CHECK LOCAL CODES AND SECURE PERMITS.....	12
PREPARE THE SITE	13
STEP 1. PLAN SITE ACCESS	13
STEP 2. DETERMINE HOME LOCATION AND LAYOUT	13
STEP 3. CLEAR AND GRADE THE SITE.....	14
STEP 4. DETERMINE SOIL CONDITION	14
STEP 5. DETERMINE SOIL-BEARING CAPACITY AND FROST LINE.....	15
STEP 6. DETERMINE GROUND ANCHOR HOLDING CAPACITY.....	17
INSTALL FOOTINGS	18
STEP 1. DESIGN POINT LOAD SUPPORTS	18
STEP 2. DESIGN FRAME SUPPORTS (Homes Without Perimeter Blocking).....	21
STEP 3. DESIGN FRAME AND PERIMETER SUPPORTS (Homes With Perimeter Blocking).....	22
STEP 4. SELECT FOOTING MATERIALS.....	26
STEP 5. SIZE FOOTINGS	26
STEP 6. INSTALL FOOTINGS	28
CONSTRUCT FOUNDATIONS	33
STEP 1. OBTAIN A FOUNDATION DESIGN	33
STEP 2. EXCAVATE	33
STEP 3. CONSTRUCT THE FOOTING OR SLAB	33
STEP 4. CONSTRUCT THE PERIMETER WALL	33
STEP 5. INSTALL INTERIOR SUPPORTS.....	34
STEP 6. WATERPROOF FOUNDATION WALL	34
STEP 7. BACKFILL AND GRADE	34
SET THE HOME	35
STEP 1. PREPARE FOR SET	35
STEP 2. POSITION HOME SECTION	35
STEP 3. LIFT HOME.....	35
STEP 4. CONSTRUCT PIERS.....	37
COMPLETE MULTI-SECTION SET	41
STEP 1. INSTALL MARRIAGE LINE ANCHORS	41

APPROVED BY



Cavco Industries Inc

Index of Steps

- STEP 2. REMOVE PROTECTIVE SHIPPING MATERIALS..... 41
- STEP 3. COMPLETE HINGED ROOF..... 41
- STEP 4. REPAIR OR INSTALL MARRIAGE LINE GASKET 43
- STEP 5. POSITION ADDITIONAL HOME SECTIONS..... 43
- STEP 6. CONNECT FLOORS 44
- STEP 7. CONNECT ROOF..... 46
- STEP 8. CONNECT WALLS 48
- STEP 9. ATTACH TAG UNITS..... 50
- STEP 10. REMOVE TEMPORARY ITEMS..... 51
- STEP 11. FASTEN HOME TO FOUNDATION..... 51
- STEP 12. BACKFILL AND GRADE 51
- STEP 13. BUILD STAIRS..... 51
- COMPLETE ROOF AND EXTERIOR WALLS..... 52**
 - STEP 1. COMPLETE ROOF..... 52
 - STEP 2. COMPLETE TAG UNIT ROOF..... 54
 - STEP 3. COMPLETE SIDE WALLS..... 56
- CONNECT CROSSOVERS..... 57**
 - STEP 1. CONNECT DUCTS..... 57
 - STEP 2. CONNECT ELECTRICAL CROSSOVERS 59
 - STEP 3. INSTALL ELECTRICAL BONDING 62
 - STEP 4. CONNECT WATER LINES..... 62
 - STEP 5. CONNECT DRAIN, WASTE, AND VENT LINES 63
 - STEP 6. CONNECT GAS LINES..... 65
 - STEP 7. CONNECT TELEPHONE AND CABLE TV WIRING 66
- COMPLETE THE INTERIOR 67**
 - STEP 1. ALIGN MARRIAGE WALLS..... 67
 - STEP 2. FINISH GYPSUM BOARD..... 67
 - STEP 3. COMPLETE WALL AND CEILING FINISHES..... 68
 - STEP 4. COMPLETE CARPET 68
 - STEP 5. COMPLETE TRIM 68
 - STEP 6. INSTALL SHIP LOOSE ITEMS..... 68
- INSTALL STABILIZING SYSTEM 69**
 - STEP 1. DETERMINE ANCHOR LOCATIONS 69
 - STEP 2. DETERMINE TIE-DOWN CONFIGURATION..... 77
 - STEP 3. SELECT ANCHORS..... 78
 - STEP 4. INSTALL ANCHORS..... 78
 - STEP 5. INSTALL STRAPS..... 80
 - STEP 6. TIGHTEN AND ADJUST STRAPS..... 83
- CONNECT UTILITIES 84**
 - STEP 1. CONNECT ELECTRICAL SERVICE..... 84
 - STEP 2. CONNECT WATER SERVICE 87
 - STEP 3. CONNECT GAS SERVICE..... 90
 - STEP 4. CONNECT OIL SERVICE..... 91
- PREPARE APPLIANCES AND EQUIPMENT 93**
 - INSTALL AIR CONDITIONER OR HEAT PUMP 93
 - PREPARE HEATING SYSTEM 94
 - INSTALL REMOTE HEATING AND COOLING EQUIPMENT 94
 - PREPARE VENTILATION SYSTEM 95

Cavco Industries Inc. 2008

APPROVED BY



Cavco Industries Inc

SU-111

Index of Steps

PREPARE FUEL-BURNING WATER HEATER 95

PREPARE CLOTHES DRYER 96

PREPARE SMOKE ALARMS 96

PREPARE FIREPLACES 97

PREPARE KITCHEN AND BATH APPLIANCES / FIXTURES..... 99

INSTALL EXTERIOR LIGHTING 100

INSTALL CEILING FANS AND LIGHTING 100

TEST ELECTRICAL SYSTEM..... 102

COMPLETE EXTERIOR WORK 103

 STEP 1. REPAIR AND SEAL BOTTOM BOARD 103

 STEP 2. INSTALL GROUND MOISTURE RETARDER 103

 STEP 3. INSTALL SKIRTING 104

 STEP 4. ASSEMBLE OPTIONAL WIND PROTECTION SHUTTERS 104

 STEP 5. COMPLETE SITE-BUILT STRUCTURES 105

PREPARE HOME FOR OCCUPANCY 106

 STEP 1. VERIFY ALTERNATIVE CONSTRUCTION (A/C) INSPECTION 106

 STEP 2. COMPLETE INSPECTION CHECKLIST 106

 STEP 3. COMPLETE ENERGY STAR CHECKLIST 106

 STEP 4. CLEAN THE HOME..... 106

COMPLETE INSTALLATION CHECKLIST 107

Cavco Installation Manual

APPROVED BY



Cavco Industries Inc



- CAVCO DURANGO**
2502 W DURANGO ST
PHOENIX, ARIZONA 85009
PHONE: 602-278-3554
FAX: 602-484-7028
WEB: WWW.CAVCOHOMES.COM/DURANGO

- CAVCO LITCHFIELD**
1366 S LITCHFIELD RD BUILDING 6
GOODYEAR, ARIZONA 85338
PHONE: 623-882-2816
FAX: 623-882-2845
WEB: WWW.CAVCOHOMES.COM/LITCHFIELD

- CAVCO SPECIALTY**
2602 S 35TH AVE
PHOENIX, ARIZONA 85009
PHONE: 602-484-0171
FAX: 602-484-7953
WEB: WWW.CAVCOPARKHOMES.COM

- CAVCO TEXAS**
2301 N HIGHWAY 46
SEGUIN, TEXAS 78155
PHONE: 830-379-4485
FAX: 830-379-0013
WEB: WWW.CAVCOHOMES.COM/TEXAS

CAVCOHOMES.COM